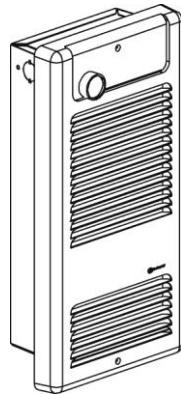
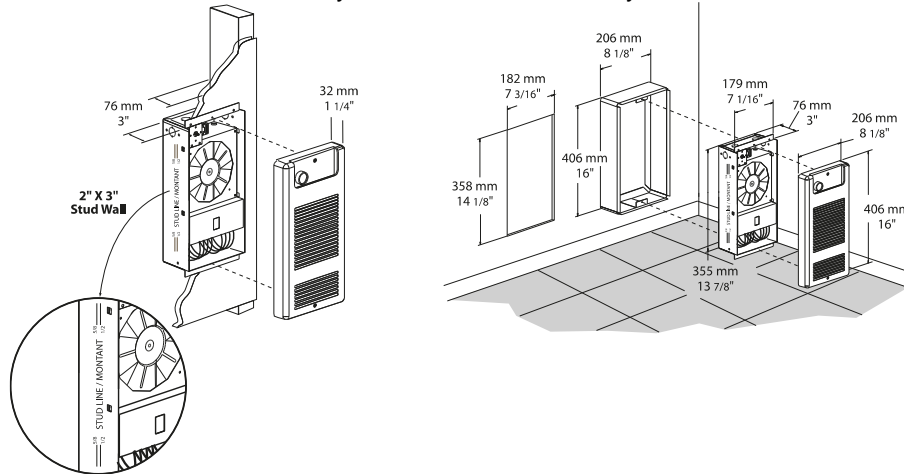


Series**OVS****Residential Wall Fan Heater****Color****Finish
Voltage
Construction****Fan****Heating element****Control****Installation****Warranty****Features**

- Standard: white, almond.
 - Optional (upcharge applicable): metallic silver, bronze, metallic charcoal, aluminum, semi-gloss black, s and.
 - Custom colors available upon request.
 - Standard: epoxy/polyester powder paint.
 - 120V, 208V, 240/208V, 347V, 1-phase.
 - 20-gauge steel cabinet.
 - 22-gauge steel front cover.
 - High-limit temperature control with automatic reset.
 - Quiet fan operating.
 - 120V, 208V, 240/208V models: 500W to 1000W; 40 cfm fan and 1250W to 2000W; 80 cfm fan.
 - 347V models: 80 cfm fan.
 - Factory-lubricated motor.
 - 120V, 208V, 240/208V: durable tubular heating element with fins.
 - Factory sealed element upon request.
 - 347V: Iron-Chromium-Aluminum alloy.
 - Built-in thermostat available with a control knob or tamperproof.
 - If an electronic thermostat is used, it must be compatible with forced-air heaters.
 - Wall installation only.
 - The air outlet should be installed at least 4 in. (102 mm) from flooring withstands temperature and 10 in. (254 mm) from linoleum flooring.
 - Quick installation with recess box mounting holes.
 - Large wiring compartment.
 - May be recessed in 2 in. X 3 in. stud partitions.
 - Surface mounting box available.
 - Tight fit with V-shaped recess box.
- **5-year warranty against defects.**

Application

- Entrance way, kitchen, bathroom, family room, basement.



Models

# Product	Qty	Volts	Watts	Weight	
				lb	kg
OVS0502		120	500	9.0	4.1
OVS0752		120	750	9.0	4.1
OVS1002		120	1000	9.0	4.1
OVS1252		120	1250	9.0	4.1
OVS1502		120	1500	9.0	4.1
OVS0500		240/208	500/375	9.0	4.1
OVS0750		240/208	750/563	9.0	4.1
OVS1000		240/208	1000/750	9.0	4.1
OVS1250		240/208	1250/938	9.0	4.1
OVS1500		240/208	1500/1125	9.0	4.1
OVS2000		240/208	2000/1500	9.0	4.1
OVS2008		208	2000	9.0	4.1
OVS1007		347	1000	9.0	4.1
OVS1507		347	1500	9.0	4.1
OVS2007		347	2000	9.0	4.1

Options

Product # Kit	Product # Factory installed*	Description	Qty
KIT-OVS-BS	-	Surface mounting box	
KIT-OVS-DIS ¹	DIS ¹	Disconnect switch, 20A at 277V max. (120V, 208V, 240/208V only)	
-	ES ²	Factory sealed element (347V factory installed only)	
KIT-OVS-TB6	TB6	Single-pole bi-metal thermostat (347V factory installed only)	
KIT-OVS-TB26 ³	TB26 ³	Double-pole bi-metal thermostat (347V factory installed only)	
KIT-OVS-TB6-AV	TB6AV	Single-pole bi-metal tamperproof thermostat (347V factory installed only)	
KIT-OVS-TB26-AV ³	TB26AV ³	Double-pole bi-metal tamperproof thermostat (347V factory installed only)	

* For factory installed options, add the option number to the product number. See the **Product Code** section inside the front cover.

¹ For the U.S. only: The nominal current of the unit must not exceed 80% of the capacity of the disconnect.

² The option "sealed element" increases the reliability of these in humid environments. It does not completely eliminate the leakage currents of metal sheathed heating elements.

³ "Off" position.

Add "BL" for white, "AM" for almond.

Others

Type	Quantity	Model et description Complementary informations	Volts	Phase	Watts	Length mm/in.	Informations Color/installation

Specifications may change without prior notice

Project:	Approval Information
Consultant Engineer:	
Electrician Contractor:	
Distributor:	
Date:	
Contact in Ouellet:	
Comments:	