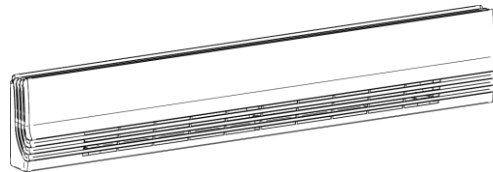


**Series****ODL****High-End Baseboard Heater****Features****Color**

- Standard: white, metallic charcoal.
- Optional (upcharge applicable): almond, metallic silver, bronze, aluminum, semi-gloss black, sand.
- Custom colors available upon request.

**Finish****Voltage****Construction**

- Standard: epoxy/polyester powder paint.
- 120V, 208V, 240/208V, 277V, 347V, 480V, 600V, 1-phase.
- Robust aluminum front cover.
- 20-gauge satin coat steel cabinet.
- Linear high-limit temperature control with automatic reset.
- High altitude version available (-HA).

**Heating element**

- Stainless steel tubular heating element with aluminum fins.
- Floating heating element on high-temperature nylon bushings reducing expansion noises.

**Watt density**

- Average standard watt density of 275W/ft.
- Average low watt density of 200W/ft.

**Control**

- Built-in thermostat available with a control knob or tamperproof.
- Mechanical or electronic relays available (installed on the right end only).
- Compartment for low voltage connections (located directly under the junction box) to facilitate the installation of low voltage relay.

*Ouellet highly recommends using an electronic wall thermostat for greater comfort.*

**Installation**

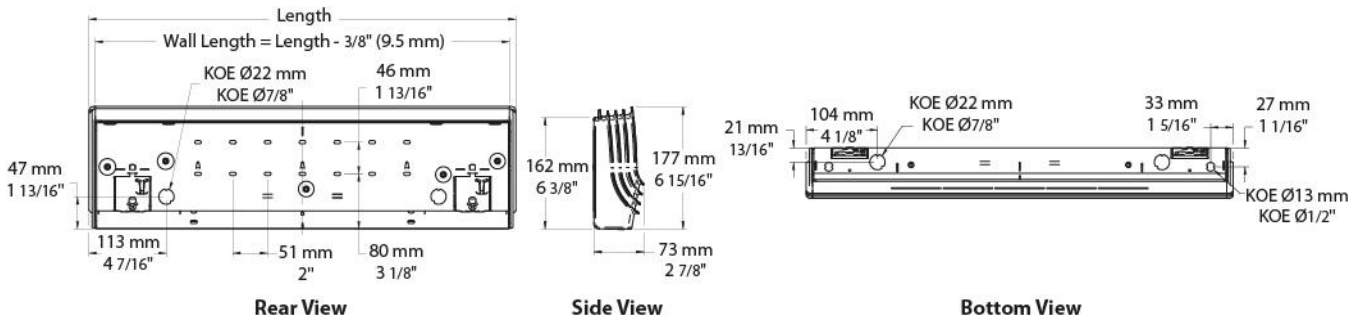
- Installation directly on the floor.
- Connection box at both ends.
- Single-screw built-in wire holder.
- Raceway for ease of installation.
- Two rows of mounting holes spaced at 2 in. (51 mm) intervals for ease of installation.

**Warranty**

- **5-year warranty against defects.**
- **Heating element has a lifetime warranty for the initial end user.**

**Application**

- Dining room-kitchen, living room, family room, bedroom, bay window, office building, commercial building.



### Average Standard Watt Density Models 275W/ft.

Watts	Watts 240/208V	Product #										Length <sup>1</sup>		Weight	
		120V	Qty	208V	Qty	240/208V	Qty	347V	Qty	600V	Qty	in.	mm	lb	kg
300	300/225	ODL0302		ODL0308		ODL0300		-	-	-	-	24 5/8	625	7.4	3.4
500	500/375	ODL0502		ODL0508		ODL0500		ODL0507		-	-	29 1/2	750	8.5	3.9
750	750/563	ODL0752		ODL0758		ODL0750		ODL0757		ODL0756		39 1/2	1004	10.7	4.9
1000	1000/750	ODL1002		ODL1008		ODL1000		ODL1007		ODL1006		49 13/16	1265	13.0	5.9
1250	1250/938	ODL1252		ODL1258		ODL1250		ODL1257		ODL1256		59 1/4	1506	15.1	6.9
1500	1500/1125	ODL1502		ODL1508		ODL1500		ODL1507		ODL1506		68	1727	17.0	7.7
1750	1750/1313	-	-	ODL1758		ODL1750		ODL1757		ODL1756		77 5/16	1964	19.1	8.7
2000	2000/1500	-	-	ODL2008		ODL2000		ODL2007		ODL2006		86 1/8	2187	21.0	9.6
2250	2250/1688	-	-	ODL2258		ODL2250		ODL2257		ODL2256		94 15/16	2412	23.0	10.5
2500	2500/1875	-	-	ODL2508		ODL2500		ODL2507		ODL2506		104 1/16	2644	25.0	11.4

### Average Low Watt Density Models 200W/ft.

Watts	Watts 240/208V	Product #										Length <sup>1</sup>		Weight	
		120V	Qty	208V	Qty	240/208V	Qty	347V	Qty	600V	Qty	in.	mm	lb	kg
300	300/225	ODL0302-750		ODL0308-750		ODL0300-750		-	-	-	-	29 1/2	750	8.5	3.9
500	500/375	ODL0502-1004		ODL0508-1004		ODL0500-1004		ODL0507-1004		-	-	39 1/2	1004	10.7	4.9
750	750/563	ODL0752-1265		ODL0758-1265		ODL0750-1265		ODL0757-1265		ODL0756-1265		49 13/16	1265	13.0	5.9
1000	1000/750	ODL1002-1506		ODL1008-1506		ODL1000-1506		ODL1007-1506		ODL1006-1506		59 1/4	1506	15.1	6.9
1250	1250/938	ODL1252-1727		ODL1258-1727		ODL1250-1727		ODL1257-1727		ODL1256-1727		68	1727	17.0	7.7
1500	1500/1125	ODL1502-2187		ODL1508-2187		ODL1500-2187		ODL1507-2187		ODL1506-2187		86 1/8	2187	21.0	9.6
1750	1750/1313	-	-	ODL1758-2412		ODL1750-2412		ODL1757-2412		ODL1756-2412		94 15/16	2412	23.0	10.5
2000	2000/1500	-	-	ODL2008-2644		ODL2000-2644		ODL2007-2644		ODL2006-2644		104 1/16	2644	23.0	10.5
2250	2250/1688	-	-	ODL2258-2644		ODL2250-2644		ODL2257-2644		ODL2256-2644		104 1/16	2644	23.0	10.5

## Options

Product # Kit	Product # Factory installed*	Description	Qty
KIT-ODL-DIS20 <sup>4</sup>	DIS20 <sup>4</sup>	Disconnect switch, double-pole, 20A at 277V max.	
-	HA	Linear high-limit temperature control for high altitude (3000 ft. to 8200 ft.)	
KIT-ODL-R-347	R	Single-pole relay, coil 24V, without transformer: 22A at 120V, 208V, 240V - 18A at 347V	
KIT-ODL-R-600	R	Single-pole relay, coil 24V, without transformer, 10A at 600V	
KIT-ODL-RT-120	RT	Single-pole relay, coil 24V, with transformer 120V/24V, 22A at 120V	
KIT-ODL-RT-208	RT	Single-pole relay, coil 24V, with transformer 208V/24V, 22A at 208V	
KIT-ODL-RT-240	RT	Single-pole relay, coil 24V, with transformer 240V/24V, 22A at 240V	
KIT-ODL-RT-277	RT	Single-pole relay, coil 24V, with transformer 277V/24V, 19A at 277V	
KIT-ODL-RT-347	RT	Single-pole relay, coil 24V, with transformer 347V/24V, 18A at 347V	
KIT-ODL-RT-600 <sup>2</sup>	RT <sup>2</sup>	Single-pole relay, coil 24V, with transformer 600V/24V, 10A at 600V (2-wire only)	
KIT-ODL-TB6	TB6	Single-pole bi-metal thermostat: 25A at 120V, 208V, 240V, 277V - 10A at 347V, 480V, 600V	
KIT-ODL-TB26 <sup>3</sup>	TB26 <sup>3</sup>	Double-pole bi-metal thermostat: 25A at 120V, 208V, 240V, 277V - 10A at 347V, 480V, 600V	
KIT-ODL-TB6-AV	TB6AV	Single-pole bi-metal thermostat, tamperproof: 25A at 120V, 208V, 240V, 277V - 10A at 347V, 480V, 600V	
KIT-ODL-TB26-AV <sup>3</sup>	TB26AV <sup>3</sup>	Double-pole bi-metal thermostat, tamperproof: 25A at 120V, 208V, 240V, 277V - 10A at 347V, 480V, 600V	
KIT-ODL-TRIAC-347	TRIAC	Single-pole electronic relay, coil 24V, without transformer, 15A at 347V max.	
KIT-ODL-TRIAC-347T	TRIAC T	Single-pole electronic relay, coil 24V, with transformer: 15A at 208V, 240V, 277V, 347V	
KIT-ODL-TRIAC-600	TRIAC	Single-pole electronic relay, coil 24V, without transformer, 6A at 600V max.	

\* For factory installed options, add the option number to the product number. See the **Product Code** section inside the front cover.

<sup>1</sup> Wall length = Length - 3/8" (9.5 mm).

<sup>2</sup> These 2-wire relays with transformer can't supply of 3-wire low voltage thermostats.

<sup>3</sup> "Off" position.

<sup>4</sup> For the U.S. only: The nominal current of the unit must not exceed 80% of the capacity of the disconnect.

Add "BL" for white, "CM" for metallic charcoal. Upcharge available for optional colors shown in the color chart section.

Other voltages available upon request.

## Others

Type	Quantity	Model and description Complementary informations	Volts	Phase	Watts	Length mm/in.	Informations Color/installation

## Specifications may change without prior notice

Project:	Approval Information
Consultant Engineer:	
Electrical Contractor:	
Distributor:	
Date:	
Contact at Ouellet:	
Comments:	