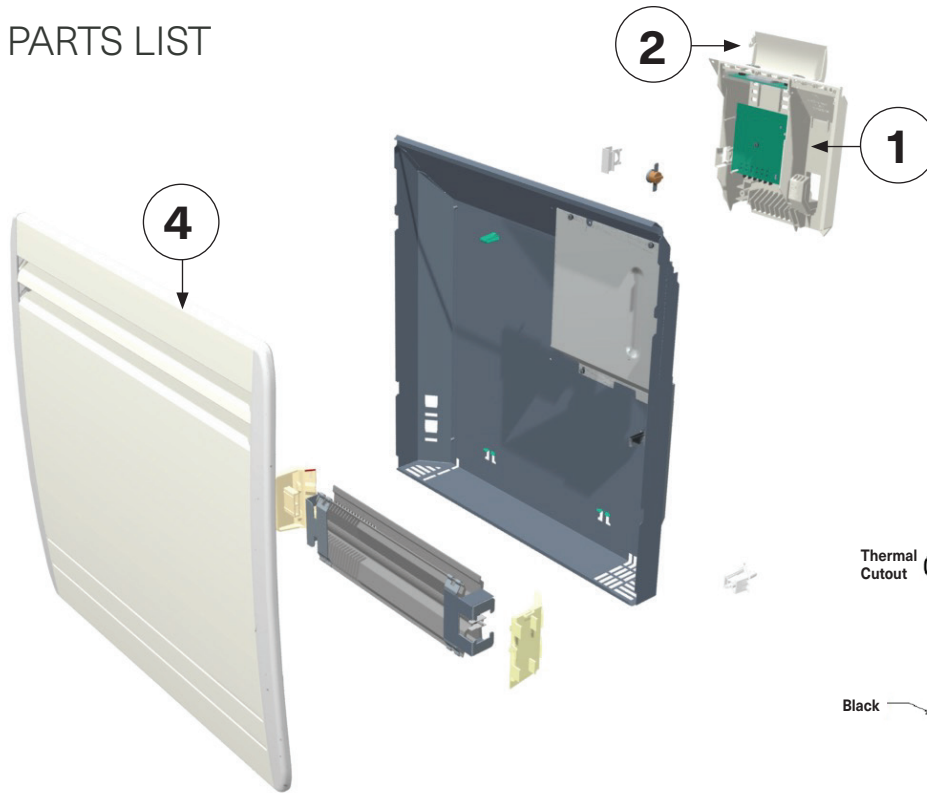


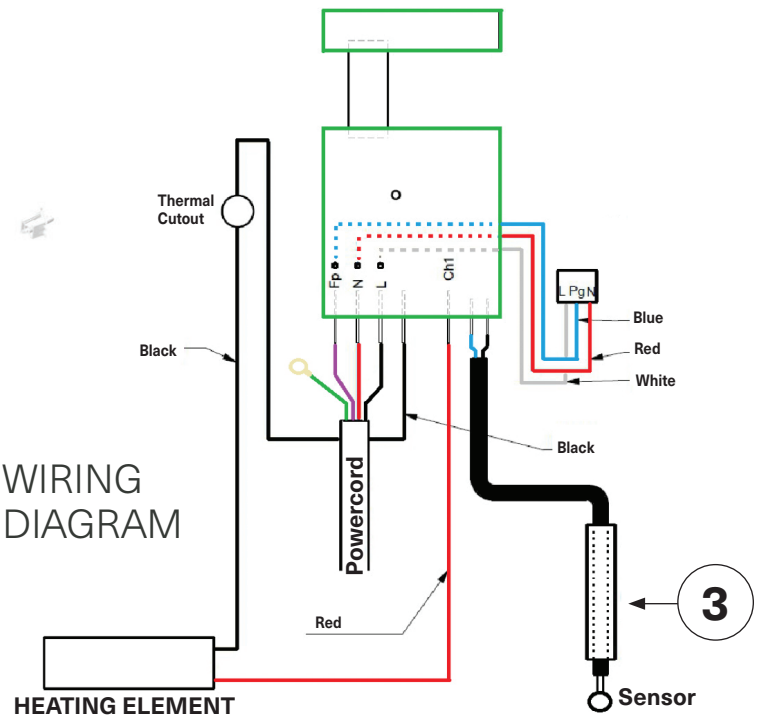
Allegro II (7305) Panel convection heater

500 W to 2,000 W at 240 V
500 W to 2,000 W at 208 V

PARTS LIST



WIRING DIAGRAM



For guaranteed dependable operation, we recommend that all units be installed by a licensed electrical contractor in accordance with national and local codes. Consult convectair.ca to find the most recent installation instructions for our heaters.

| # | Description | Previous Part Number | Order Number |
|----------|-------------------------------------|----------------------|--------------|
| 1 | Digital control MR200 16A (C05-C15) | S136AA2446EZA1 | 500004270 |
| | Digital control MR200 HT FS (C20) | S136AA2448EZA1 | 500004291 |
| 2 | Control cover pad printed | S323CC0466EZ | 500004300 |
| 3 | Short sensor + UL Lg360 mm sheath | S136AA2945 | 500004305 |
| 4 | Front panel 1500 W (C15) | S303ABD424AJA1 | 500004315 |

1-800-668-6663 | convectair.ca

© Convector. All rights reserved. Material contained in this publication may not be reproduced in whole or in part, without prior permission in writing of Convector. Convector is a Registered Trade Mark in North America. All the products shown in this document are protected by intellectual property rights owned by Convector or members of the Glen Dimplex Group on an international basis. The Glen Dimplex Group of Companies will actively protect these rights. Specifications, finishes and dimensions are subject to change. Limited warranty. SAV-002_R00_080924