

# LED Puk Lights

## MODEL PUK 021



### HIGHLIGHTS

- Ready / Safe to use & easy to install
- Mini 1.5W 12V DC LED Puk Downlight for indoor use only
- Perfect for illuminating areas such as cabinet, closet, shelf, corridor or even a wine bar
- Energy Efficient: each LED cabinet light equals to a 10W incandescent fluorescent or halogen lamp, saving 90% electric power at the least
- High Brightness: CRI over 80+ of each LED puk light, the under cabinet light kits providing enough brightness for your normal illumination

### SPECIFICATIONS

<b>Model</b>	<b>PUK 021</b>
<b>Wattage</b>	1.5W
<b>Voltage</b>	12V DC
<b>Lumens</b>	100 lmn
<b>Beam Angle</b>	104°
<b>Lifetime</b>	50000 hours
<b>CRI</b>	80
<b>Dimmable</b>	Yes, with dimmable drivers
<b>Rating</b>	Non-IC Rated / Indoor use / for Damp location
<b>Grade of Protection</b>	IP 43
<b>Application</b>	Under cabinet / Home / Office / Kitchen
<b>Colour Temp.</b>	3000K (Warm White) / 4000K (Natural White) / 5000K (Cool White)
<b>Operating Temp.</b>	-10°C ~ +40°C
<b>Warranty</b>	5 years

### COLOUR FINISH



**PUK 021-WH**  
White



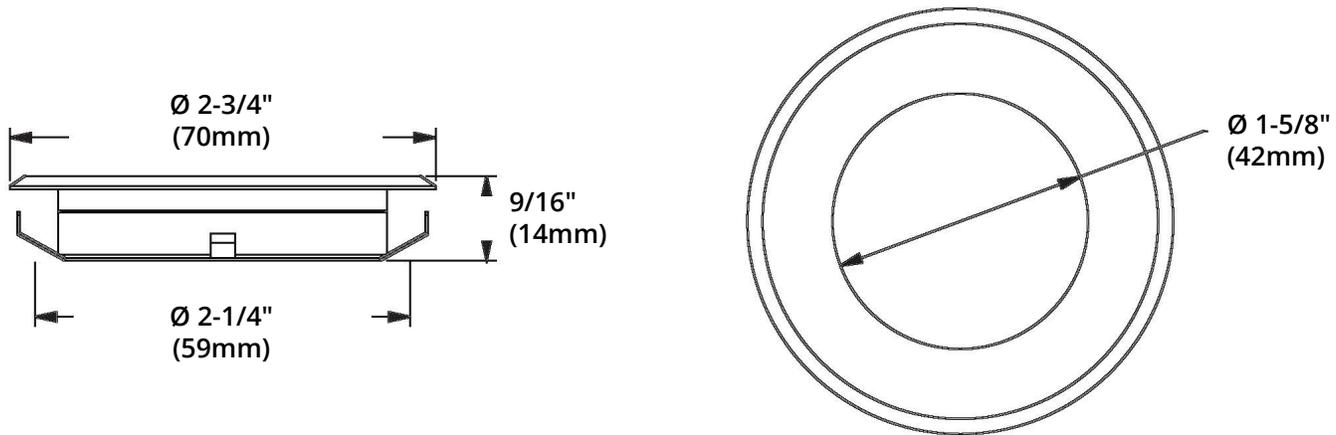
**PUK 021-SN**  
Satin Nickel



**PUK 021-BK**  
Black

## MODEL PUK 021

### DIMENSIONS



### COMPATIBLE DRIVERS (SOLD SEPARATELY)



**OT-08D**

Max. 8W  
Class 2 Driver



**OT-15D**

Max. 15W  
Class 2 Driver



**OT-24D**

Max. 24W  
Class 2 Driver



**OT-60D**

Max. 60W  
Class 2 Driver



**OT-96**

Max. 96W  
Class 2 Driver

Reference	QTY.	Remarks	Project:
			Location:
			Architect:
			Engineer:
			Contractor:
			Submitted by:
			Date:

ORTECH reserves the right to modify at any time, without notice, any or all of our product's features, designs, components and specifications to meet market changes.