

## 2" Round & Square Baffle Downlight 3Way CCT Adjustable



DLM2SB08-3CCTWH/BK



DLM2RB08-3CCTWH/BK



### Specifications

Models: DLM2RB08-3CCTWH/BK	
Applications	General Lighting
Wattage	8W
Color Temperature	3CCT 3000/4000/5000 K
Lumen Output	650lm
Halogen Equivalent	50W
Beam Angle	38
CRI	90
Driver Input	120 VAC
Power Factor	0.9
Dimming	TRIAC Dimmers %100-%10
Cut Out	2 - 7/8 ( 68mm )
Approved Location	Insulated ceiling, Indoor & Damp Location
Ambient Temperature	- 20 C to + 40 C ( -4F - 104 F )
Air Tight	Yes
Projected Life	%70 Light output at 50,000 hours
Certification	ETL/ES
Warranty	5 Years warranty

### Specifications

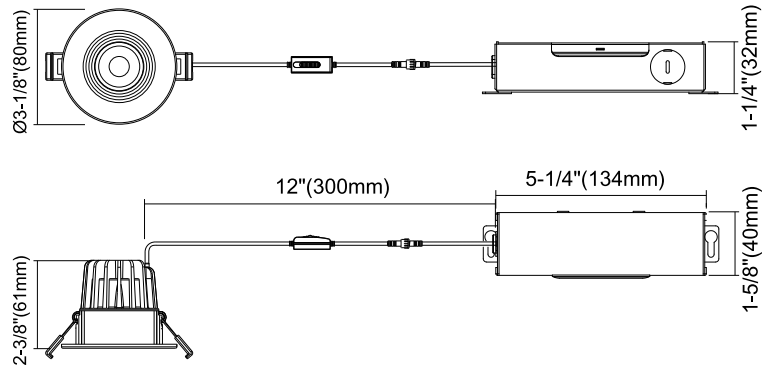
Models: DLM2SB08-3CCTWH/BK	
Applications	General Lighting
Wattage	8W
Color Temperature	3CCT 3000/4000/5000 K
Lumen Output	650lm
Halogen Equivalent	50W
Beam Angle	38
CRI	90
Driver Input	120 VAC
Power Factor	0.9
Dimming	TRIAC Dimmers %100-%10
Cut Out	2 - 7/8 ( 68mm )
Approved Location	Insulated ceiling, Indoor & Damp Location
Ambient Temperature	-20 C to + 40 C ( -4F - 104 F )
Air Tight	Yes
Projected Life	%70 Light output at 50,000 hours
Certification	ETL/ES
Warranty	5 Years warranty

## 2" Round & Square Baffle Downlight 3Way CCT Adjustable

### Key Features

- 2" Round & Square LED Downlight with integral driver in connection box
- Type IC Rated-no housing needed
- Multiple CCT
- Flexibility to switch color temperature during installation to suit a specific application, just adjust the color temperature with the slide switch located on the wire
- Baffle reflector design
- Available shape: Round & Square
- Cut hole in ceiling and snap fixture in opening with attached spring clips
- Aluminium constructio

### Dimensions



### Dimensions

