



DIVVEE-40D LOADSHARE SYSTEM INSTALLATION MANUAL

IMPORTANT INFORMATION FOR ACTIVATION:

Upon power up – the oven may draw current sufficient to trigger the ct when turning the breaker on. If this happens, the electrician will need to wait for 15 minutes for the ct to reset and power the contactor (EV charger circuit).

In the event that the control panel on the stove/oven is fed with 240V (inductive stove-top), the DIVVEE may not cooperate as designed. Installer must ensure the control supply is 120 volts.

WARNING:
THIS DIVVEE UNIT IS NOT FOR USE WITH INDUCTION RANGES



COPYRIGHT & WARRANTY INFORMATION

READ BEFORE INSTALLATION

CONTENTS

THIS PACKAGE CONTAINS:

1. DIVEE Controller
2. Installation Manual

COPYRIGHT

All information in this manual is subject to copyright protection and other intellectual property protection of Loadshare Technologies inc.

Trade names mentioned in this document are the property of Loadshare Technologies inc.

SAFETY WARNING:

Read all instructions prior to operating this product.

Always disconnect the DIVEE power supply before beginning maintenance.

Use the DIVEE only when following the technical specifications indicated in this installation manual.

Improper use of the DIVEE could result in serious injuries which may cause death. Any improper use of the DIVEE can cause damages and premature wear of the components, which would void the warranty. Do not install the DIVEE near flammable materials, explosives, fuels, chemical products, or vapors. Never spray the DIVEE with water or any other liquids. Use only mild soap and a damp cloth to clean the DIVEE. Do not use any cleaning solvents. Stop using the DIVEE immediately if it displays that it is defective, cracked, broken, or damaged. Never insert a sharp object inside the DIVEE, as this will cause damage, and the potential of an electric shock. Never try to modify, repair, or dismantle the DIVEE.

Contact Loadshare Technologies in the event of a malfunction.

The installation of the DIVEE must be done in accordance with the local electrical code requirements.

LIMITED WARRANTY

1. Loadshare Technologies inc. Warrants the integrated controls against any defects for a period of one year from the date of shipping. The warranty is limited to the equipment and components of the DIVEE only.

2. In case of incorrect installation, inappropriate use, or repairs done by unauthorized personnel, the warranty will be automatically void.

3. Loadshare Technologies inc. Will repair or replace defective material or workmanship at site or in the manufacturing plant at the company's discretion, and evaluation by a factory representative.

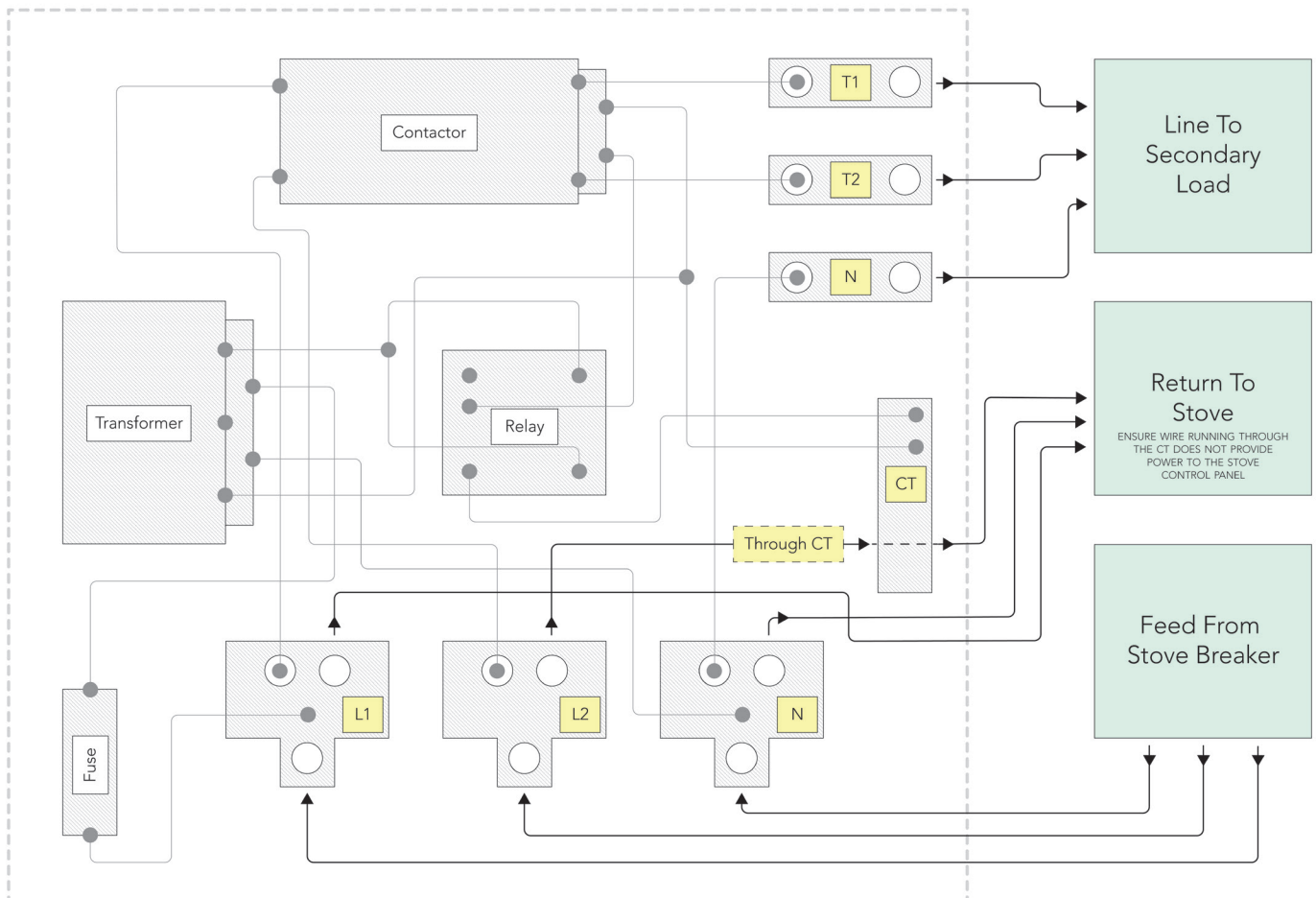
4. Loadshare Technologies inc. Will not be held liable for damages or delays and will not be required to pay transportation costs of a DIVEE said to be defective.

5. Loadshare Technologies inc. Shall not be liable for any indirect damages or delays caused by faulty workmanship or materials. No indemnity will be paid for repairs, replacements, or modifications without prior written consent supplied by Loadshare Technologies inc.

6. The components supplied for repairs are guaranteed for the remaining of the warranty on the original product or 90 days, whichever is longer. All repairs made at the Loadshare Technologies inc plant are guaranteed for 60 days from the date of repairs.

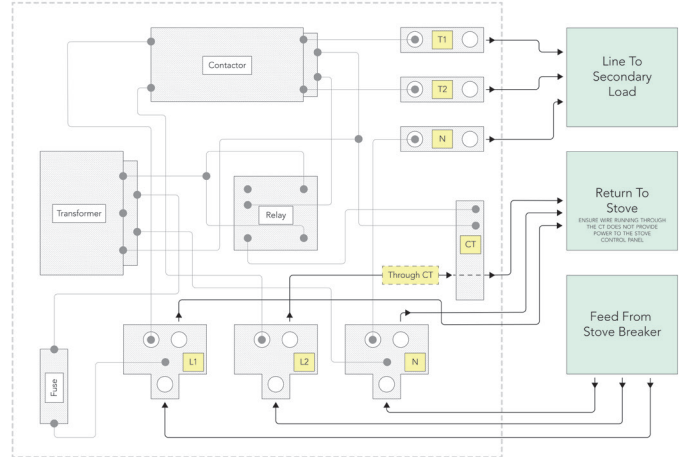
INSTALLATION

1. Determine which leg (L1 or L2) provides power to the control panel on the range (typically L1). The leg that shows no current will run through the CT.
2. Disconnect the main power.
3. Choose a desired location. This can be anywhere in the home or garage, and must be indoors.
4. Wall or ceiling mounting is acceptable.
5. Remove cover screws.
6. Remove back panel with controls.
7. Locate the desired mounting position, and mount with appropriate anchors firmly to the surface.
8. Replace mounting plate with controls and secure to the studs.
9. See wiring diagram below.



INSTALLATION (CONTINUED)

10. Connect cable from the circuit breaker to the critical load lugs using the provided enclosure knock outs.
11. Connect the cable from the range/stove to the secondary critical load lugs using the enclosure knock outs, ensuring that the leg that does not provide power to the panel runs through the CT provided.
12. Connect the cable from the EV Charger using the enclosure knock outs to the non-critical lugs that are fed from the contactor.
13. Close the cover securing it with the 4 screws provided.
14. Turn on the circuit breaker.
15. Ensure all electrical codes are adhered to during installation.



SPECIFICATIONS



Current rating	40 Amps
Voltage	240/208 Ac volts single phase
Frequency	50-60hz phase
Enclosure	NEMA 1
Box dimensions	12" X 12" x 4"
Knock out dimensions	½", ¾", 1"
Relay sensitivity	1 Amp
Relay response time	200ms phase
Color	Black
Agency approval	CQAIUS listed
Country of origin	Canada
Weight	8lbs (3.7kg)