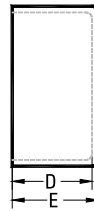
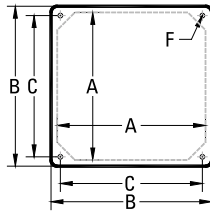
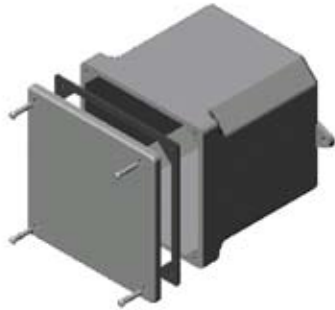


RIGID PVC CONDUIT FITTINGS

JUNCTION BOX WITH GASKET (SELF-TAPPING SCREWS)



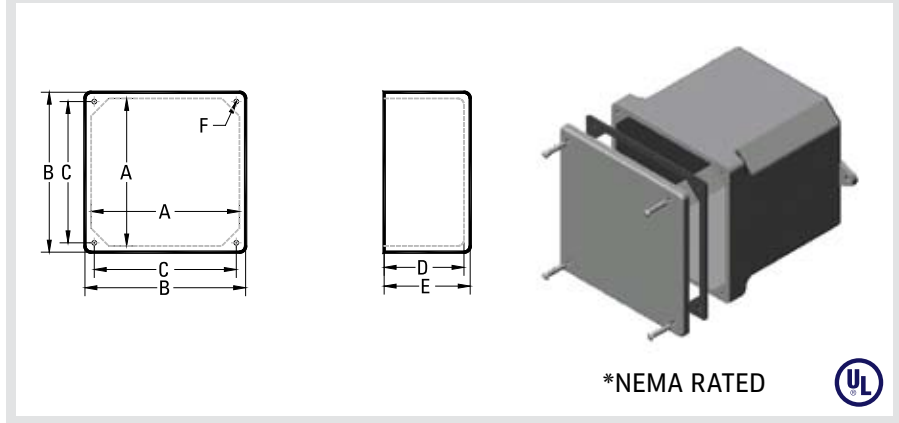
*NEMA RATED



SIZE (IN)	RBP PART NUMBER	CARTON QUANTITY	INSIDE LENGTH & WIDTH (A) (IN)	OUTSIDE LENGTH & WIDTH (B) (IN)	LENGTH SCREW TO SCREW (C) (IN)	OUTSIDE HEIGHT (E) (IN)	INSIDE HEIGHT (D) (IN)	SCREW SIZE (F)	VOLUME (IN ³)
4 x 4 x 2	E051442	10	3.675	4.000	3.450	2.125	2.000	8-32	25.4
4 x 4 x 4*	E051444	10	3.675	4.000	3.450	4.188	3.750	8-32	47.5
4 x 4 x 6*	E051446	10	3.675	4.000	3.450	6.225	6.000	8-32	76.1
5 x 5 x 2*	E051552	10	4.680	5.000	4.485	2.000	1.845	8-32	38.7
6 x 6 x 4	E051664	10	6.000	6.375	5.813	4.188	4.000	10-32	139.5
6 x 6 x 6	E051666	5	6.000	6.375	5.813	6.188	6.000	10-32	209.3
8 x 8 x 4	E051884	5	8.075	8.625	7.996	4.230	4.005	1/4-20	258.6
8 x 8 x 7	E051887	4	8.100	8.625	7.996	7.250	7.035	1/4-20	455.6
12 x 12 x 4	E05112124	2	12.085	12.580	11.874	4.256	4.030	1/4-20	578.3
12 x 12 x 6	E05112126	2	12.085	12.580	11.874	6.240	6.025	1/4-20	864.6
12 x 12 x 8*	E05112128	3	12.085	12.580	11.874	8.250	8.025	1/4-20	1,151.6

RIGID PVC CONDUIT FITTINGS

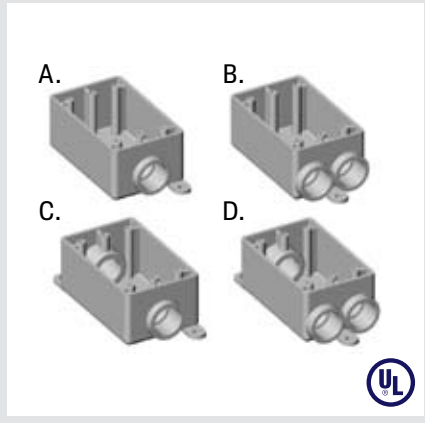
JUNCTION BOX WITH GASKET (BRASS SCREWS AND INSERTS)



SIZE (IN)	RBP PART NUMBER	CARTON QUANTITY	INSIDE LENGTH & WIDTH (A) (IN)	OUTSIDE LENGTH & WIDTH (B) (IN)	LENGTH TO SCREW (C) (IN)	OUTSIDE HEIGHT (E) (IN)	INSIDE HEIGHT (D) (IN)	SCREW SIZE (F)	VOLUME (IN ³)
4 x 4 x 2	E551442	15	3.675	4.000	3.450	2.125	2.000	8-32	25.4
4 x 4 x 4*	E551444	10	3.675	4.000	3.450	4.188	3.750	8-32	47.5
4 x 4 x 6*	E551446	8	3.675	4.000	3.450	6.225	6.000	8-32	76.1
5 x 5 x 2*	E551552	12	4.680	5.000	4.485	2.000	1.845	8-32	38.7
6 x 6 x 4	E551664	15	6.000	6.375	5.813	4.188	4.000	10-32	139.5
6 x 6 x 6	E551666	4	6.000	6.375	5.813	6.188	6.000	10-32	209.3
8 x 8 x 4	E551884	4	8.075	8.625	7.996	4.230	4.005	1/4-20	258.6
8 x 8 x 7	E551887	4	8.100	8.625	7.996	7.250	7.035	1/4-20	455.6
12 x 12 x 4	E55112124	2	12.085	12.580	11.874	4.256	4.030	1/4-20	578.3
12 x 12 x 6	E55112126	4	12.085	12.580	11.874	6.240	6.025	1/4-20	864.6
12 x 12 x 8*	E55112128	3	12.085	12.580	11.874	8.250	8.025	1/4-20	1,151.6

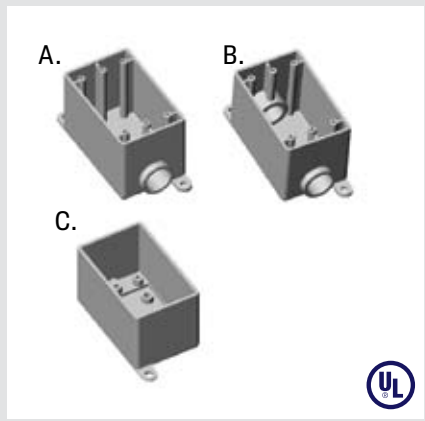
RIGID PVC CONDUIT FITTINGS

SINGLE GANG BOX F SERIES (SELF-TAPPING SCREWS)



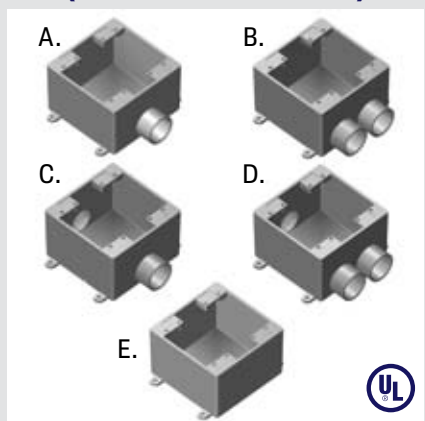
SIZE	RBP PART NUMBER	CARTON QUANTITY	VOLUME (IN ³)
A. 1/2" FS	E042001	10	17.0
A. 3/4" FS	E042002	10	17.0
B. 1/2" FSS	E042003	10	17.5
B. 3/4" FSS	E042004	10	17.5
C. 1/2" FSC	E042005	10	16.3
C. 3/4" FSC	E042006	10	16.3
D. 1/2" FSCC	E042007	10	17.0
D. 3/4" FSCC	E042008	10	17.0

SINGLE GANG DEEP BOX FD SERIES (SELF-TAPPING SCREWS)



SIZE	RBP PART NUMBER	CARTON QUANTITY	VOLUME (IN ³)
A. 1/2" FDS	E043001	10	26.8
A. 3/4" FDS	E043002	10	26.8
A. 1" FDS	E043003	10	26.8
B. 1/2" FDC	E043004	10	24.0
B. 3/4" FDC	E043005	10	24.0
B. 1" FDC	E043006	10	24.0
C. BLANK	E043007	10	29.0

DOUBLE GANG BOX F SERIES (SELF-TAPPING SCREWS)

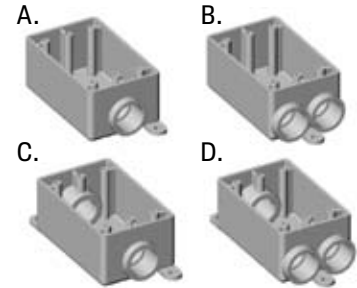


SIZE	RBP PART NUMBER	CARTON QUANTITY	VOLUME (IN ³)
A. 1/2" FS	E041001	10	39.5
A. 3/4" FS	E041002	10	39.5
A. 1" FS	E041003	10	39.5
B. 1/2" FSS	E041004	10	37.0
B. 3/4" FSS	E041005	10	37.0
B. 1" FSS	E041006	10	37.0
C. 1/2" FSC	E041007	10	37.0
C. 3/4" FSC	E041008	10	37.0
C. 1" FSC	E041009	10	37.0
D. 1/2" FSCC	E041011	10	36.0
D. 3/4" FSCC	E041012	10	36.0
D. 1" FSCC	E041013	10	36.0
E. BLANK	E041010	10	52.0

RIGID PVC CONDUIT FITTINGS

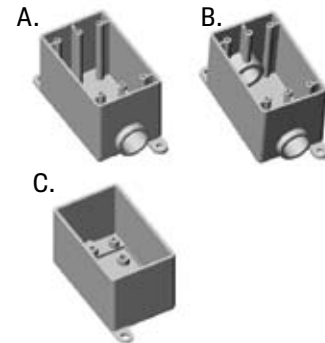
SIZE	RBP PART NUMBER	CARTON QUANTITY	VOLUME (IN ³)
A. 1/2" FS	E542001	10	17.0
A. 3/4" FS	E542002	10	17.0
B. 1/2" FSS	E542003	10	17.5
B. 3/4" FSS	E542004	10	17.5
C. 1/2" FSC	E542005	10	16.3
C. 3/4" FSC	E542006	10	16.3
D. 1/2" FSCC	E542007	10	17.0
D. 3/4" FSCC	E542008	10	17.0

SINGLE GANG BOX F SERIES (BRASS INSERTS)



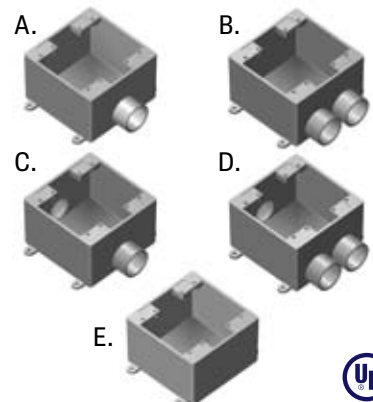
SIZE	RBP PART NUMBER	CARTON QUANTITY	VOLUME (IN ³)
A. 1/2" FDS	E543001	10	26.8
A. 3/4" FDS	E543002	10	26.8
A. 1" FDS	E543003	10	26.8
B. 1/2" FDC	E543004	10	24.0
B. 3/4" FDC	E543005	10	24.0
B. 1" FDC	E543006	10	24.0
C. BLANK	E543007	10	29.0

SINGLE GANG DEEP BOX FD SERIES (BRASS INSERTS)



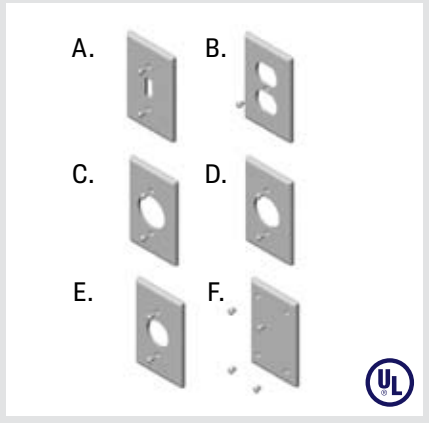
SIZE	RBP PART NUMBER	CARTON QUANTITY	VOLUME (IN ³)
A. 1/2" FS	E541001	10	39.5
A. 3/4" FS	E541002	10	39.5
A. 1" FS	E541003	10	39.5
B. 1/2" FSS	E541004	10	37.0
B. 3/4" FSS	E541005	10	37.0
B. 1" FSS	E541006	10	37.0
C. 1/2" FSC	E541007	10	37.0
C. 3/4" FSC	E541008	10	37.0
C. 1" FSC	E541009	10	37.0
D. 1/2" FSCC	E541011	10	36.0
D. 3/4" FSCC	E541012	10	36.0
D. 1" FSCC	E541013	10	36.0
E. BLANK	E541010	10	52.0

DOUBLE GANG BOX F SERIES (BRASS INSERTS)



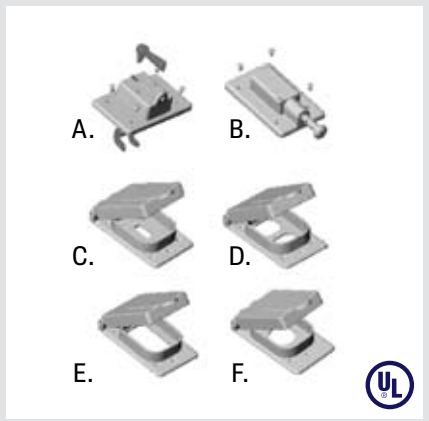
RIGID PVC CONDUIT FITTINGS

SINGLE GANG COVER PLATE F SERIES (SELF-TAPPING SCREWS)



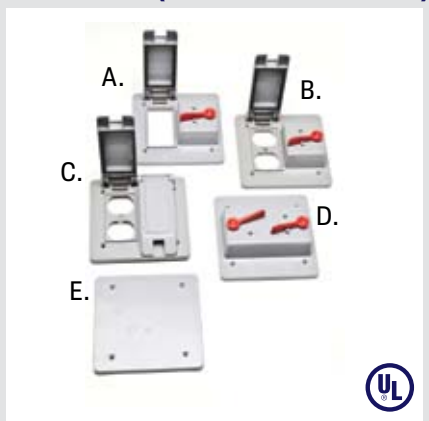
DESCRIPTION	RBP PART NUMBER	CARTON QUANTITY
A. Toggle	E046002	100
B. Duplex	E046001	100
C. Single 15 amp	E046004	100
D. Single 20 amp	E046003	100
E. Single 30 amp	E046005	100
F. Blank w/ gasket	E046006	50

SINGLE GANG WEATHERPROOF COVER PLATE (SELF-TAPPING SCREWS)



DESCRIPTION	RBP PART NUMBER	CARTON QUANTITY
A. Toggle w/cover	E047002	10
B. Plunger w/cover	E047008	10
C. Toggle	E047009	10
D. Duplex	E047001	10
D. Duplex White	E047010	20
E. Ground Fault	E047007	10
E. G.F. White	E047011	20
F. 15 AMP	E047003	10
F. 20 AMP	E047004	10
F. 30 AMP	E047005	10
F. 50 AMP	E047006	10

DOUBLE GANG WEATHERPROOF COVER PLATE (SELF-TAPPING SCREWS)

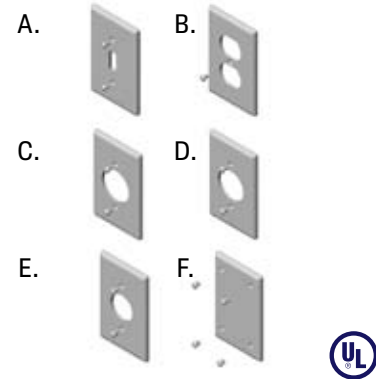


DESCRIPTION	RBP PART NUMBER	CARTON QUANTITY
A. GFI & Toggle	E049005	10
B. Duplex & Toggle	E049006	10
C. Double Duplex	E049007	10
D. Double Toggle	E049008	10
E. Blank	E049009	25

RIGID PVC CONDUIT FITTINGS

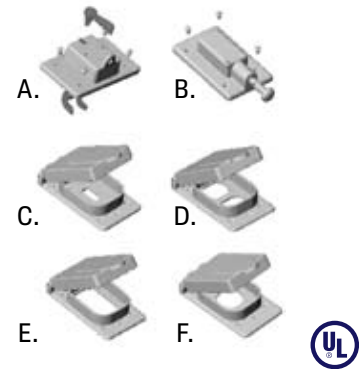
DESCRIPTION	RBP PART NUMBER	CARTON QUANTITY
A. Toggle	E546002	100
B. Duplex	E546001	100
C. Single 15 amp	E546004	100
D. Single 20 amp	E546003	100
E. Single 30 amp	E546005	100
F. Blank w/ gasket	E546006	100

SINGLE GANG COVER PLATE F SERIES (BRASS SCREWS)



DESCRIPTION	RBP PART NUMBER	CARTON QUANTITY
A. Toggle w/cover	E547002	20
B. Plunger w/cover	E547008	20
C. Toggle	E547009	20
E. Duplex	E547001	20
D. Duplex White	E547010	20
E. Ground Fault	E547007	20
E. G.F. White	E547011	20
F. 15 AMP	E547003	20
F. 20 AMP	E547004	20
F. 30 AMP	E547005	20
F. 50 AMP	E547006	20

SINGLE GANG WEATHERPROOF COVER PLATE (BRASS SCREWS)



DESCRIPTION	RBP PART NUMBER	CARTON QUANTITY
A. GFI & Toggle	E549005	10
B. Duplex & Toggle	E549006	10
C. Double Duplex	E549007	10
D. Double Toggle	E549008	10
E. Blank	E549009	25

DOUBLE GANG WEATHERPROOF COVER PLATE (BRASS SCREWS)

