

Single Pole Timers

MODEL HET06-R

Product Specification Sheet

Buy This Items at Evolt
Electrical Supply in Canada
EVOLT.CA

Save Today

Call 1-888-739-3555



HIGHLIGHTS

- Preset In-wall Countdown Single Pole Timers with seven buttons
- Replaces standard lights or fan single pole switches
- Works with most common lighting types
- Ideal for closet, pantry, garage, laundry room, outdoor lighting and spa
- 6 time selection buttons with activation indicator lights
- ON/OFF Button with hold on function
- Commercial and Indoor use only
- Neutral wire is required

SPECIFICATIONS

Model	HET06-R
Voltage	125V AC /60Hz
Resistive	15A
Ballast	1200VA
Tungsten	1000W
Electronic Ballast/LED	5A or 600W
Motor	1/2 HP
Time Delay	5 min / 10 min / 30 min / 60 min / 2 or 4 hours
Rating	Commercial Indoor use Only
Humidity	95% RH, non-condensing
Operating Temp.	0°C ~ +55°C

Single Pole Timers

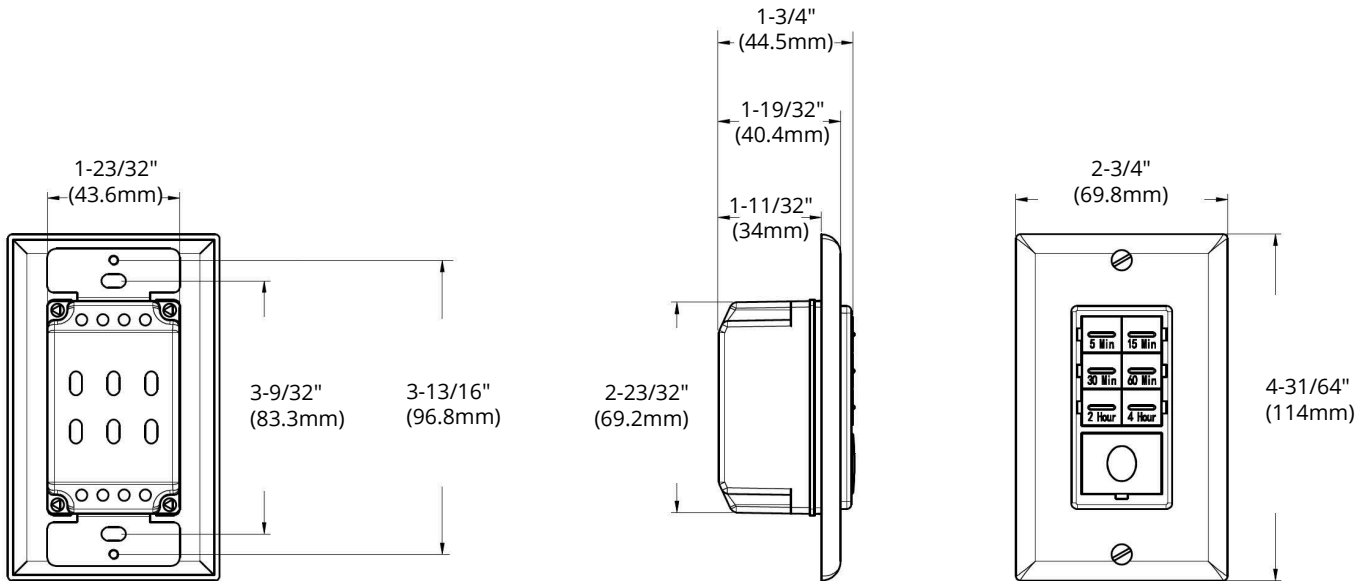
Product Specification Sheet
 Buy This Items at Evolt Electrical Supply in Canada EVOLT.CA
 Save Today
 Call 1-888-739-3555



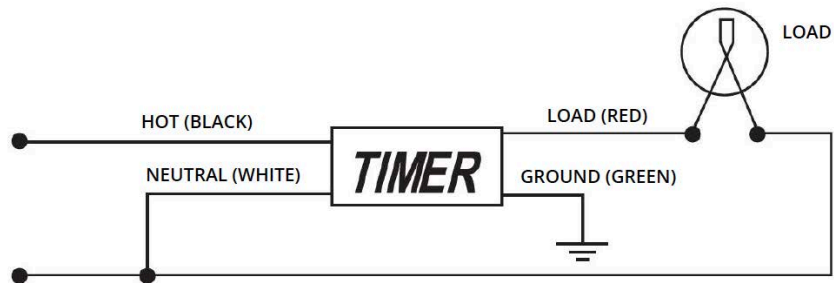
Product Specification Sheet

MODEL HET06-R

DIMENSIONS



WIRING DIAGRAM



Wire the timer switch

- Twist the existing wires together with the wire leads on the timer switch as indicated in the drawing. Cap them securely using the wire nuts provided
- Connect the green or non-insulated (copper) GROUND wire from the circuit to the GROUND wire on the HET06-R
- Connect the power wire from the circuit (HOT) to the black wire on the HET06-R
- Connect the power wire to the lamp or fan (LOAD) to the red wire on the HET06-R
- Connect the NEUTRAL wires from the circuit (NEUTRAL) to the white wire on the HET06-R
- Please check the presence of neutral wire, and do not connect neutral with load wire together

Reference	QTY.	Remarks	Project:
			Location:
			Architect:
			Engineer:
			Contractor:
			Submitted by:
			Date: