

PROJECT: _____

SCHEDULE: _____ DATE: _____

PREPARE BY: _____

NOTES: _____

TF TROFFER (CCT3)

DESCRIPTION

naturaLED® Troffer is the perfect solution for your interior lighting needs. This DLC Premium Troffer is available in 2'x2' and 2'x4' dimensions for TBar/Grid ceilings. Available options include Emergency LED Driver and Microwave Motion Sensor. This is a lightweight fixture with a bug-free lens design and produces up to 5,850 lumens with excellent light distribution and color consistency.



APPLICATIONS

Conference, Meeting Rooms, Factories, Offices, Schools, Hospitals



**Rated Life Hours 50,000
Warranty 5 Years**

FEATURES

- DLC Standard
- Damp Location
- ETL Listed
- Selectable Wattages
- Selectable Color Temp: 3CCT (3500K/4000K/5000K)
- Voltage: 120-277V, 120-347V
- Power Factor: >0.9
- Surge Protection: 2KV
- Beam Angle: 115°
- Dimmable: 0-10V
- CRI: 80
- Operating temperature: - 4°F - 104°F
- Easy installation for retrofit replacement
- Available in 2' or 4' length
- Material: Steel and PC lens
- 5Year Warranty
- Optional for Purchase: Emergency Driver, Motion Sensor, Flange Mount Kit

ACCESSORIES

	Air Craft Cable
	Emergency Driver Kit
	Microwave Motion Sensor Kit
	Flange Mount Kit
	Surge Protection
	Bluetooth Adapter
	Bluetooth Wall Switch

SAMPLE NUMBER FXTF36SW/2X2/8CCT3

FAMILY	SERIES	WATTAGE	SELECTABLE	LENGTH	CRI	COLOR TEMP
FX Fixture	TF Troffer	36 36 Watt	SW 3 Selectable Wattage	2x2 2-ft x 2-ft	8 CRI 80	CCT3 Selectable Color Temp 3500K 4000K 5000K



*P= Premium DLC / *S = Standard DLC

ORDERING

Watts (W)	Ordering Code	Description	CCT (K)	Lumens (Lm)	Size	Equiv. Wattage (W)	Voltage	Damp Location	DLC (S/P)
20	9559	FXTF36SW/2X2/8CCT3	3CCT	2,600	2'x2'	60-100W	120-277V	•	S
30			(35/40/50K)	4,100					
36				4,576					
30	9560	FXTF45SW/2X4/8CCT3	3CCT	3,900	2'x4'	90-130W	120-277V	•	S
40			(35/40/50K)	5,700					
45				6,003					
20	9595	FXTF36SW/2X2/8CCT3/347	3CCT	2,600	2'x2'	60-100W	120-347V	•	S
30			(35/40/50K)	4,100					
36				4,576					
30	9596	FXTF45SW/2X4/8CCT3/347	3CCT	3,900	2'x4'	90-130W	120-347V	•	S
40			(35/40/50K)	5,700					
45				6,003					

ACCESSORIES (Ordered Separately)

Air Craft Cable



P10147 MT-ACC-4FT
(4-ft cable)

P10144 MT-ACC-10FT
(10-ft cable)

Flange Mounting Kit



P10228 MT-2x2FMBOX
(2' x 2' Flange Mount Kit)

P10229 MT-2x4FMBOX
(2' x 4' Flange Mount Kit)

Microwave Motion Sensor Kit



K234427 FXTFSW/MC605-MT
(Microwave Motion Sensor with mounting plate)

Emergency Driver Kit



K7336427 FXTFSW-BAEM-MT
(Emergency Driver with mounting plate)

Surge Protection



P10389 SPD-L-10KV-277
(Surge Protection 10KV 120-277V)



P10390 SPD-L-20KV-277
(Surge Protection 20KV 120-277V)

Ceiling Mount Kit (3.0" Height)



P10417 MT-2X2BOX-3.0in
(2'x2' Panel Surface Mount Kit-3.0"height)

P10418 MT-2X4BOX-3.0in
(2'x4' Panel Surface Mount Kit-3.0"height)

Ceiling Mount Kit



P10335 MT-2X2BOX-4.5in
(2'x2' Panel Surface Mount Kit)

P10336 MT-2X4BOX-4.5in
(2'x4' Panel Surface Mount Kit)

Bluetooth Adapter



P10342 CTL-AVI-IFAC-5A-1CH
(0-10V Bluetooth Adapter 120-277V)



P10409 CTL-AVI-LVFA-1CH-12-2VDC
(12-24V Bluetooth Adapter Controller LVFA 1CH)

Bluetooth Wall Switch



P10344 CTL-2402BAT
(Bluetooth Wall Switch- Battery Version)

P10345 CTL-2401AC
(Bluetooth Wall Switch- AC Version)

Power Supply



P10347 CTL-AVI-PS-277-12-250
(120-277V to 12V Power Supply (no relay))

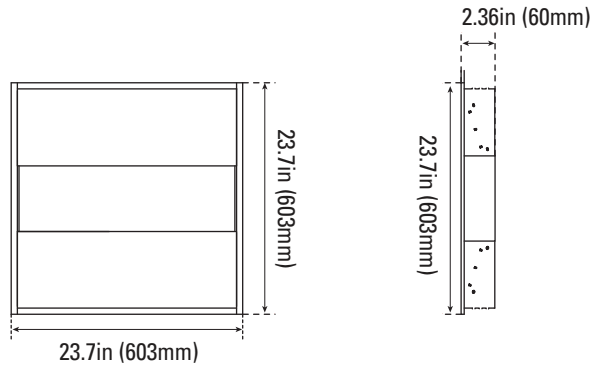
Bluetooth Sensor



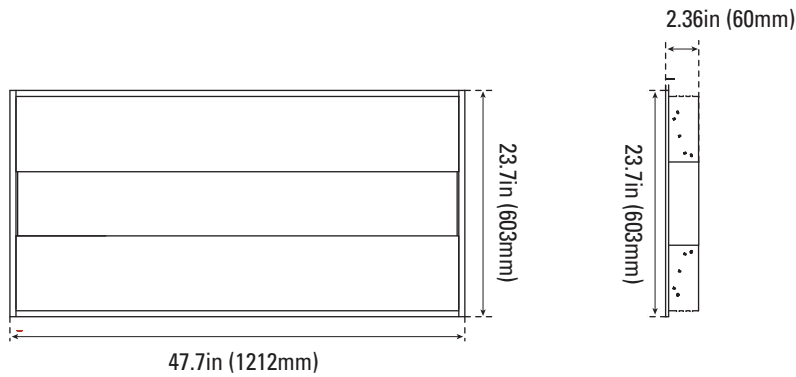
P10373 CTL-AVI-SEN-ICM-24-BLE
(12V Ceiling Mount Bluetooth Sensor)

DIMENSIONS

2'x2' - 36 Watt
8.00-lbs



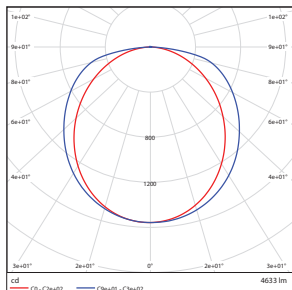
2'x4' - 45 Watt
15.00-lbs



PHOTOMETRICS CHART

PACKAGE

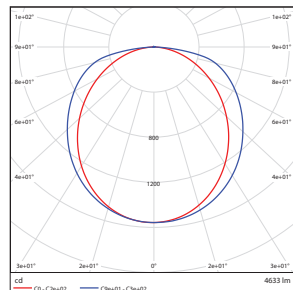
36 Watt
DLC Standard



	Center Beam fc	Beam Width
3.2R	143 fc	8.3 ft 13.2 ft
6.7R	34.7 fc	16.9 ft 26.8 ft
10.0R	15.6 fc	25.2 ft 40.0 ft
13.3R	8.80 fc	33.6 ft 53.1 ft
16.7R	5.58 fc	42.1 ft 66.7 ft
20.0R	3.89 fc	50.5 ft 79.9 ft

■ Vert. Spread: 103.2°
■ Horiz. Spread: 126.8°

45 Watt
DLC Standard



	Center Beam fc	Beam Width
3.2R	184 fc	8.7 ft 13.7 ft
6.7R	44.6 fc	17.6 ft 27.8 ft
10.0R	20.0 fc	26.3 ft 41.5 ft
13.3R	11.3 fc	35.0 ft 55.2 ft
16.7R	7.18 fc	44.0 ft 69.3 ft
20.0R	5.00 fc	52.7 ft 82.9 ft

■ Vert. Spread: 105.6°
■ Horiz. Spread: 128.5°

Case Qty 2 pcs

