

Photocontrol - NightFox™ Stem and Swivel Mount Electronic Photocontrol, 120-277 V

Item EK4236S



PRODUCT DESCRIPTION

NightFox™ electronic photocontrols permanently install on outdoor electrical boxes or outdoor lighting fixtures. Ideal for LED fixtures with long-life expectations. ½"-14 NPSM threaded stem fits standard outlet boxes and wall packs with a minimum installation hole size of 7/8" diameter. Come with 9" wire leads.

FEATURES

- ▶ Non-drift silicon light sensor with IR filter
- ▶ DC relay with zero-crossing circuitry for extended life
- ▶ Conformal coated PCB
- ▶ 15-year design life
- ▶ Exceeds 10,000 ON/OFF switching cycles
- ▶ Fail ON mode
- ▶ Ideal for single or multifixture HID and LED installations (up to 1,650 W @ 277 VAC)
- ▶ 255 J MOV surge protection element
- ▶ 1/2"-14 NPSM threaded stem fits standard outlet boxes and wall packs for a minimum installation hole size of 7/8 inch diameter
- ▶ #18 AWG wire leads

APPLICATIONS

- ▶ Outdoor Lighting Control

TECHNICAL DATA

| General | |
|--------------------------------|--------------------------------------------------------------------|
| Model Number | EK4236S |
| Description | NightFox™ Stem and Swivel Mount Electronic Photocontrol, 120-277 V |
| UPC Code | 078275146303 |
| Brand | Intermatic |
| Country of Origin (Intermatic) | MEXICO |
| Warranty Period | 8-Year limited |
| Usage Environments | Outdoor |
| Photocontrol Type | Electronic |
| Expected Lifetime (Years) | 15 |
| Expected Lifetime (Operations) | 10000 |
| Application Compatibilities | LED; Incandescent; HID |
| Photocontrol Style | Stem and Swivel Mount |
| Photocontrol Sensor Location | Side |

| Control Specifications | |
|---------------------------|--------------------------------|
| Sensor Time Delay | Instant ON; 2 sec to 5 sec OFF |
| Photocell Type | Silicon Diode |
| Photo Control Switch Type | Relay |
| Fail Mode | ON |
| Activation On | 1.5 fc |
| Activation Off | 4.5 fc |

Dimensions

| | |
|-----------------------|---------|
| Product Height (in) | 5 5/8 |
| Product Height (mm) | 142.9 |
| Product Width (in) | 1 5/16 |
| Product Width (mm) | 33.3 |
| Product Depth (in) | 1 1/4 |
| Product Depth (mm) | 31.8 |
| Wire Lead Length (in) | 6 |
| Wire Lead Length (mm) | 152 |
| Wire Size Max | #18 AWG |

Material Specifications

| | |
|------------------|---------------|
| Cover Color | Gray |
| Housing Material | Polycarbonate |

Load Ratings

| | |
|----------------------------------------|----------------------------|
| Tungsten Range(s) | 1000 W |
| Ballast Fluorescent Ranges | 1800 VA |
| Electronic Ballast Load Ratings Ranges | 6 A, 120-277 VAC, 50/60 Hz |

Electrical Specifications

| | |
|-----------------------------|--------------------------|
| Wiring Option | Wire leads |
| Input Voltage Range(s) | 120-277 VAC, 50/60 Hz |
| Surge Protection Technology | 255 J MOV, 5,000 A Surge |

Packaging

| | |
|---------------------------------------|---------------------|
| Shipping Weight (lbs) | 0.28 |
| Unit Carton Dimensions (H x W x D) in | 4.875 x 3 x 1.75 in |

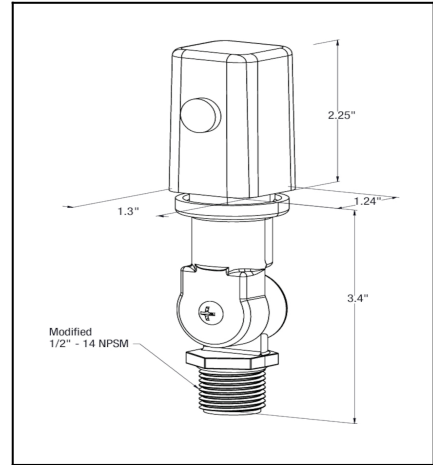
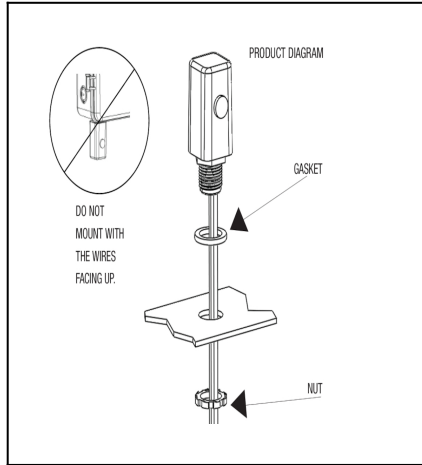
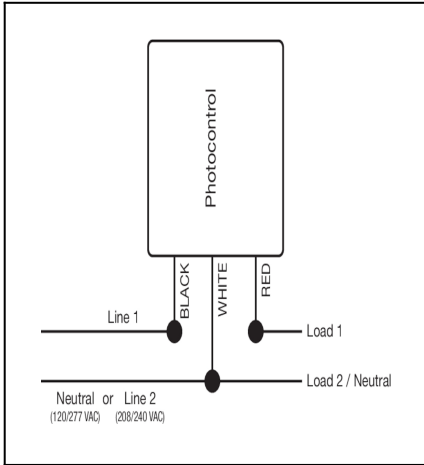
Environmental Specifications

| | |
|-------------------------|-------------|
| Temperature (operation) | -40°C..70°C |
|-------------------------|-------------|

Standards and Certifications

| | |
|------------------------------------------|------------------------|
| UL Certification | UL |
| CSA Certification | CSA |
| Other Certifications and Compatibilities | Title 20; Ansi C136.24 |
| California Proposition 65 | DEHP |
| RoHS Certification | Yes |
| PDF Standards And Certifications | UL; CSA; Title 20 |
| Epi Certifications | UL; CSA; Title 20 |

DRAWINGS AND DIAGRAMS



ACCESSORIES



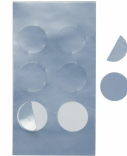
22LG0120
Light Guard Accessory for EK4000 Series
Electronic Fix Mount Photocontrols



6LV1352
Light Shield Accessory for EK4036S,
EK4436SM, K4000 Series Button
Photocontrols



K43-WP-KIT
Wall Plate Kit for EK4036S, K4000 Series
Button Photocontrols



LGLBL
Lens Sticker Accessory for EK4000 & K4000
Series Photocontrols