

## Photocontrol - NightFox™ Button Electronic Photocontrol, 120-277 V

Item EK4036S



### PRODUCT DESCRIPTION

NightFox™ electronic photocontrols permanently install on outdoor electrical boxes, in-wall boxes or outdoor lighting fixtures. Ideal for LED fixtures with long-life expectations. Mounts internally to an enclosure with a minimum installation hole size of 5/8" diameter. Comes with 9" wire leads.

### FEATURES

- ▶ Non-drift silicon light sensor with IR filter
- ▶ DC relay with zero-crossing circuitry for extended life
- ▶ Conformal coated PCB
- ▶ 15-year design life
- ▶ Exceeds 10,000 ON/OFF switching cycles
- ▶ Fail ON mode
- ▶ Ideal for single or multi fixture HID and LED installations (up to 1,650 W @ 277 VAC)
- ▶ 255 J MOV surge protection element
- ▶ Mounts internally to enclosure
- ▶ Features 3/8" - 18 NPSM thread for a minimum installation hole size of 5/8 inch diameter

### APPLICATIONS

- ▶ Outdoor Lighting Control

### TECHNICAL DATA

General	
Model Number	EK4036S
Description	NightFox™ Button Electronic Photocontrol, 120-277 V
UPC Code	078275146280
Brand	Intermatic
Country of Origin (Intermatic)	MEXICO
Warranty Period	8-Year limited
Usage Environments	Outdoor
Photocontrol Type	Electronic
Expected Lifetime (Years)	15
Expected Lifetime (Operations)	10000
Application Compatibilities	LED; Incandescent; HID
Photocontrol Style	Button
Photocontrol Sensor Location	Front
Control Specifications	
Sensor Time Delay	Instant ON; 2 sec to 5 sec OFF
Photocell Type	Silicon Diode
Photo Control Switch Type	Relay
Fail Mode	ON
Activation On	1.5 fc
Activation Off	4.5 fc

### Dimensions

Product Height (in)	2 1/4
Product Height (mm)	57.2
Product Width (in)	1 5/16
Product Width (mm)	33.3
Product Depth (in)	1 1/4
Product Depth (mm)	31.8
Wire Lead Length (in)	9
Wire Lead Length (mm)	228.6
Wire Size Max	#18 AWG

#### Material Specifications

Cover Color	Gray
Housing Material	Polycarbonate

#### Load Ratings

Tungsten Range(s)	1000 W
Ballast Fluorescent Ranges	1800 VA
Electronic Ballast Load Ratings Ranges	6 A, 120-277 VAC, 50/60 Hz

#### Electrical Specifications

Wiring Option	Wire leads
Input Voltage Range(s)	120-277 VAC, 50/60 Hz
Surge Protection Technology	255 J MOV, 5,000 A Surge

#### Packaging

Shipping Weight (lbs)	0.196
Unit Carton Dimensions (H x W x D) in	4.875 x 3 x 1.75 in

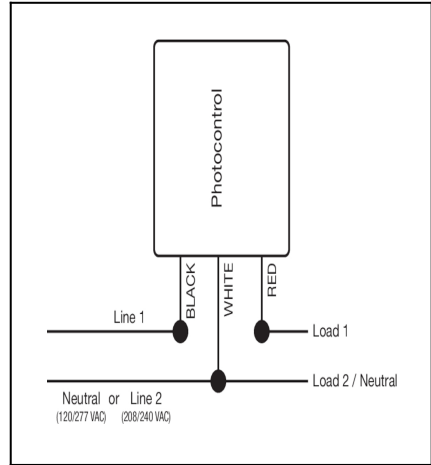
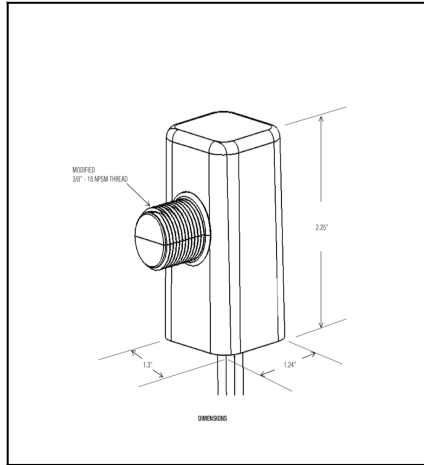
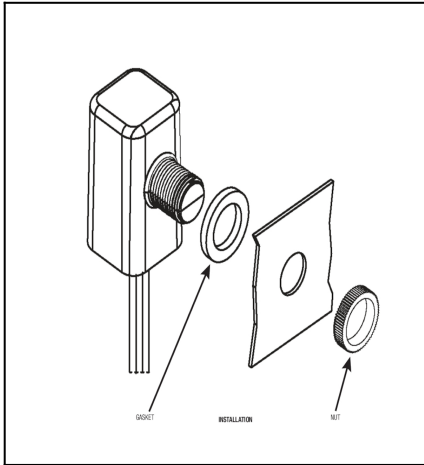
#### Environmental Specifications

Temperature (operation)	-40°C..70°C
-------------------------	-------------

#### Standards and Certifications

UL Certification	UL
CSA Certification	CSA
Other Certifications and Compatibilities	Title 20; Ansi C136.24
California Proposition 65	DEHP
RoHS Certification	Yes
PDF Standards And Certifications	UL; CSA; Title 20
Epi Certifications	UL; CSA; Title 20

### DRAWINGS AND DIAGRAMS



---

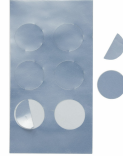
## ACCESSORIES



**6LV1352**  
Light Shield Accessory for EK4036S, EK4436SM,  
K4000 Series Button Photocontrols



**K43-WP-KIT**  
Wall Plate Kit for EK4036S, K4000 Series Button  
Photocontrols



**LGLBL**  
Lens Sticker Accessory for EK4000 & K4000 Series  
Photocontrols