

## Features

- Patented shutter design for tamper-resistant
- Compliant with NEC® 406.12 and NEC® 517-18(c)
- Patented AUTOGUARD® self test technology
- Triple wipe construction

## Ordering Information

| Description  | Color | UPC          | Catalog Number |
|--|-------|--------------|----------------|
| 20A, 125V, Style Line®, AUTOGUARD® self test GFCI receptacle, tamper-resistant, flush face, back and side wired, multiple drive screws | Black | 883778122330 | GFTRST20BK     |

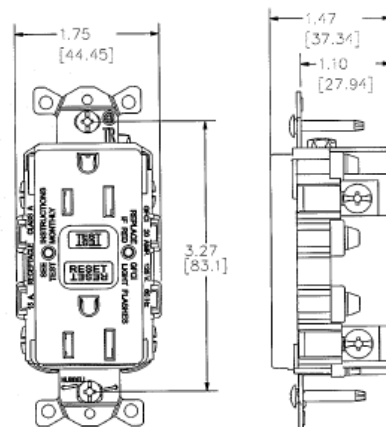


## Listings

UL Listed - Canadian and U.S.  
Meets ADA Standards  
Meets all NEC® requirements  
CSA Certified  
NEMA® WD-6 Compliant

## Specifications

|                 |                   |
|-----------------|-------------------|
| Face            | Nylon             |
| Base            | Nylon             |
| Power Contacts  | Brass             |
| Ground Contacts | Brass             |
| Mounting Strap  | Zinc plated steel |
| Mounting Screws | Zinc plated steel |



## Online Resources

[Customer Use Drawing](#)  
[eCatalog](#)  
[Installation Instructions](#)