

Canopy Parking LED



Technical Specifications

	Model No.:	AST-PG06-60WBSP1DC1-BR50	AST-PG06-75WBSP1DC1-BR50	AST-PG06-60WJSP1DC1-BRWe
OPTICAL	Input power	60W	75W	40W/50W/60W Adjustable
	Lumen	7800-8100LM	9750-10125LM	7200-8700LM
	Lumen Efficiency	120-145LM/W		
	CCT	5000K	5000K	3000K/4000K/5000K Adjustable
	CRI	>80		
	Viewing Angle	160 Degree		
ELECTRICAL	Input Voltage	120-347V		
	PF	>0.9		
	THD	<%20		
	Driver Brand	Becky		
MATERIALS	LED Type	SMD2835	SMD2835	SMD3030
	LED QTY	77PCS	98PCS	77PCS 3000K + 77 PCS 5000K
	Housing	Aluminium Alloy		
	Housing Color	Bronze		
	Cover	Stripe Lens		
	Waterproof Rating	Wet IP65		
	IK Rating	IK 10		
OTHERS	Operating Temperature	-30 ° C To °45C		
	Operating Humidity	%10-%90 RH		
	Storage Temperature	-40 ° C To °85C		
	Storage Humidity	%10-%95 RH		
	Warranty Time	5 years		

Canopy Parking LED

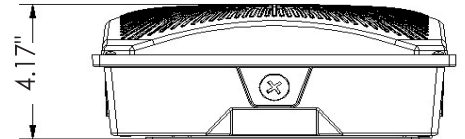
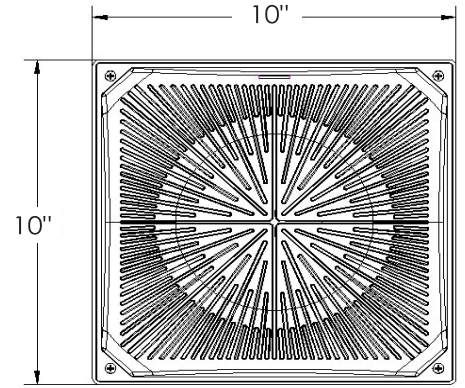
Advantage

- UL cUL certificate.
- Bridgelux Chip, High CRI.
- IP65 Internal driver, Input voltage 120-347Vac
- No UV or IR in the beam.
- Easy to install and operate.
- Energy saving, Long lifespan.
- Light is soft and uniform, Safe to eyes.
Instant start, NO flickering, NO humming.
- Green and eco-friendly without mercury.
- Color Adjustable. 0-10 V Dimming.

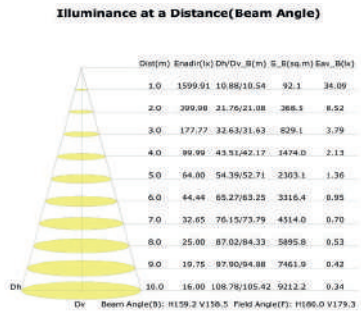
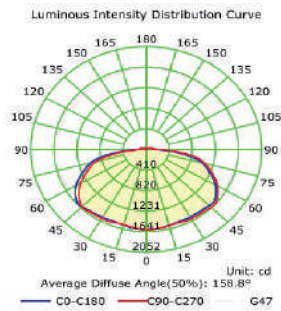
Application

Widely used in gas station, service station, underground parking lot, warehouse, garage; Work floor, factory and so on.

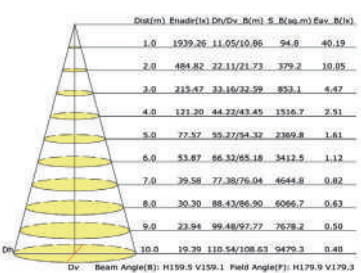
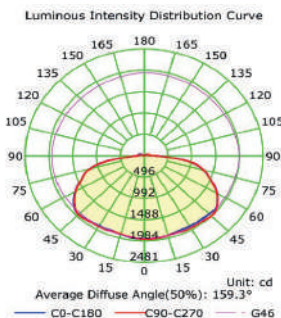
Dimensions



Light Distribution Testing Parameters



60W



75W

