

MICRO G4



DESCRIPTION

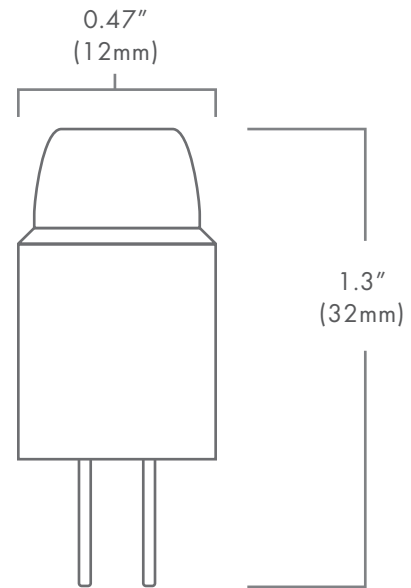
The Brilliance Micro G4 Bi-Pin is a sub-compact LED that utilizes a Samsung chipset and features Brilliance's multi-directional beam pattern. This Micro G4 Bi-Pin is energy efficient and water resistant, designed specifically for landscape retrofit applications, and ideal for pathway lighting fixtures.

FEATURES

- Ceramic technology
- Dimmable with Brilliance Dimmer and most magnetic transformers
- UL Listed

MICRO G4 SPECS

Wattage	1.2
Lumens	100
Kelvin Temperature	2700, 3000, 5700
Color	Red, Green, Blue, Amber
Operating Range	10-14 VAC/DC
Input Voltage	12 VAC/DC
Replaces	10W Halogen
CRI	85
IP	65
Lamp Life (hours)	35,000
Warranty (years)	5



Part Number: **BRI-MICRO-G4-XXXX**

↓
Kelvin/Color

