

LC-CRTL-3WAY-1

Smart Wi-Fi 3-Way Switch
Control Devices

Job Information		
Project Name		Type
Location		
Quantity		Date
Contact/Phone		
Notes		

Features

Body

Durable polycarbonate body and included snap-on faceplate.

integrating the app with most smart speakers. Works with Google Assistant, Siri, Alexa and IFTTT.

Performance

The smart Wi-Fi 3-way switch provides a maximum output of 1200W.

Operating Temperature

-5°C~45°C (23°F~113°F)

Radio Frequency

Certified IEEE 802.11 b/g Wi-Fi 2.4Ghz radio.

Environment

- Dry locations only.
- Suitable for indoor use only.

Easy Installation

The smart Wi-Fi 3-way switch installs into 3-way or 4-way switch applications (only one smart Wi-Fi switch can be installed in any 3-way application). Neutral wire required. NO HUB REQUIRED.

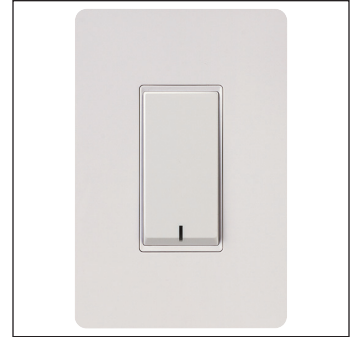
IMPORTANT NOTES

- Wi-Fi network required (2.4GHz only).

WiZ App

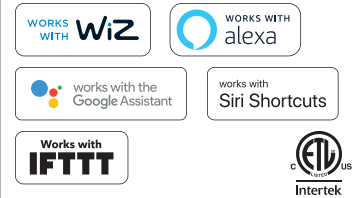
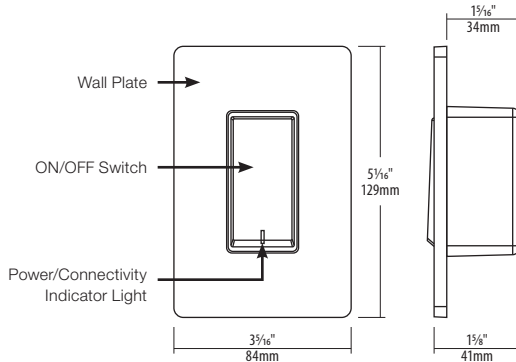
The smart Wi-Fi 3-way switch can be controlled via the WIZ app (works with iOS and Android) from anywhere. Voice control can also be achieved by

SPECIFICATION	
Approved Location	Dry / Indoor
Input Voltage	120 Vac - 60 Hz
Certification	cETLus
Output Current	Incandescent load: 10A LED/CFL load: 5A
Power Consumption	OFF: 0.80W ON: 1.28W
Rated Power	1200W
Wireless Frequency	2.4GHz
Wireless Standard	IEEE 802.11 b/g
Warranty	3-Year



Description

The OnCloud Smart Wi-Fi 3-Way Switch works with any 120V bulb or fixture – every time. Works in 3-way or 4-way applications.



Notes: Accessories are sold separately. For additional options please consult your Liteline representative. Due to our continued efforts to improve our products, product specifications are subject to change without notice.

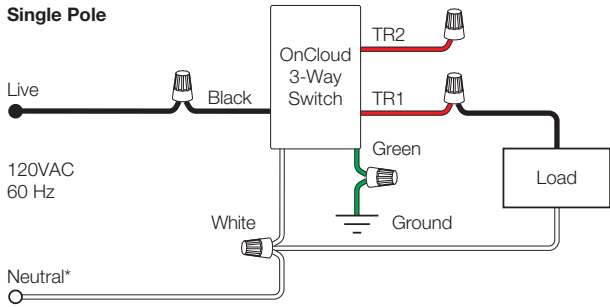
Ordering Guide



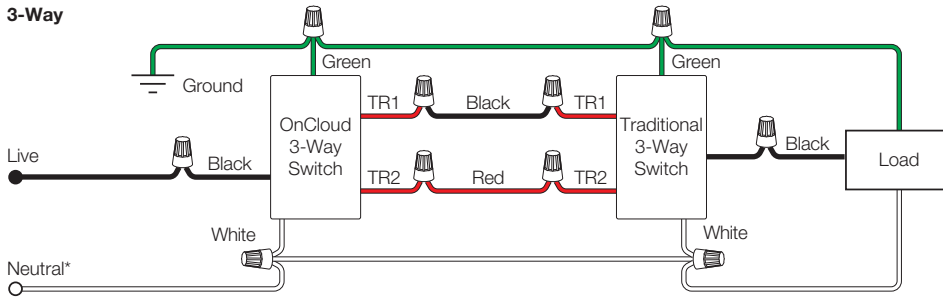
LC-CRTL-3WAY-1
Smart Wi-Fi 3-Way Switch.

Wiring Diagram

Single Pole



3-Way



* Neutral wire is required.
TR1 & TR2 indicate Traveler wires.