

Remote Capable STEEL Battery Unit Light

Specifications

Features:

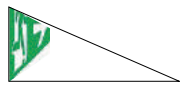
- . Steel housing and thermal plastic remote heads
- . High efficiency LED
- . Universal wall mount
- . Dimension: 13.98"x9.06"x3.46"
- . 5 Years Warranty for the electronic parts and housing , 3 Years Warranty for battery

Electrical Specifications

- . 120/277/347VAC input(UL)
- . 2 x 2W LED heads
- . Diagnostic/pilot LED for AC ON and Charge
- . Push button test switch
- . Charging time: 24 hours
- . Emergency time: 4W--50 hours
- . Remote capable: 150W--30 minutes
- . 2pcs 6V 12Ah Lead Acid Battery
- . Operating temperature: 32° F (0°C) to 104° F (40°C)

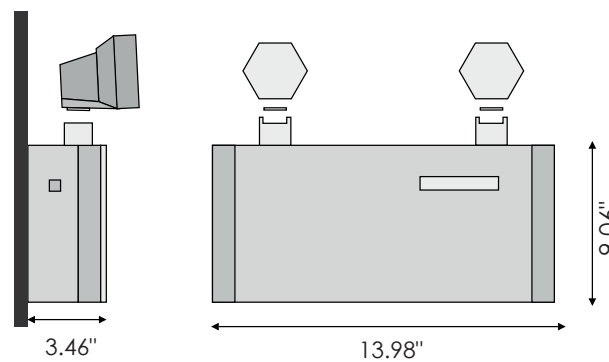


Visible distance



d=28m

Dimensions:



Data, Photometric Data

