

## MLE300-24DC-UD

### Electronic UNIV 5 in 1 dimming

Outdoor Black Powder Coated Steel Enclosure

Single Circuit: **24VDC**

Total Wattage: **300W max**

Input Voltage: **100-277V 50/60Hz**

**AXITE**  
LIGHTING INC

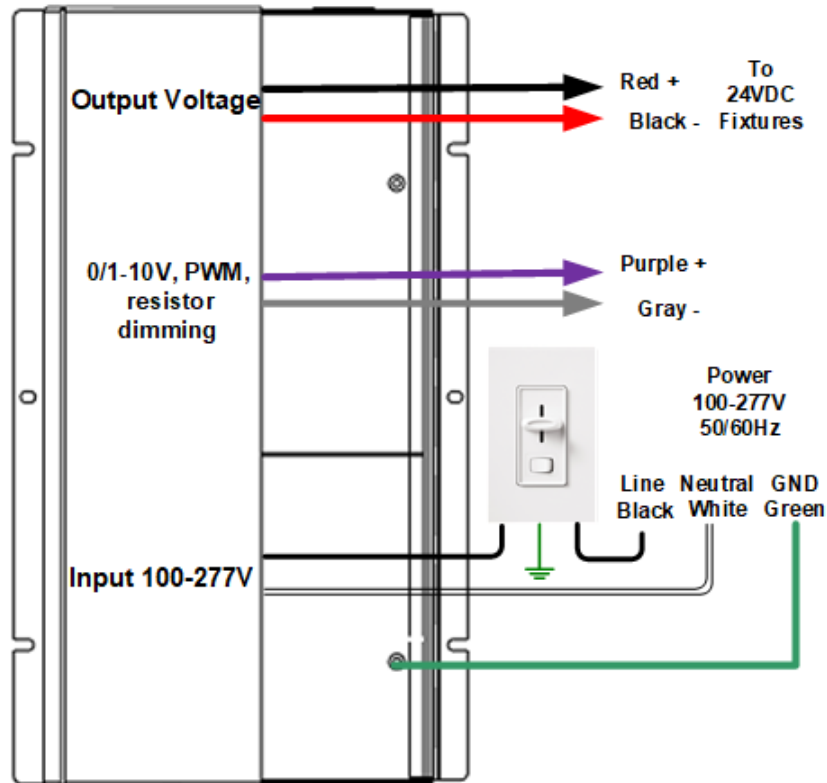


Conforms to UL STD. 8750 and 1310  
Certified to CSA  
STD. C22.2 No 223  
model MLE300-24DC-UD

## Installation Instruction



- \* Read instruction completely before installation.
- \* Turn off electricity before wiring.
- \* Only qualified personal should install the unit
- \* Installation must comply with the NEC.
- \* Ensure the unit has input, output voltage and output wattage proper for your application.



### Mounting

The transformer must be mounted in at least 5" of a free flow air space for proper ventilation.

The transformer must never be mounted next to or above heat radiated objects.

The maximum ambient temperature should not exceed 45 deg. C (115 deg. F) at full load.

### Connection

Open the wire compartment and remove knockouts for input and output, install strain reliefs (wire clamps). Use only right size and UL approved wire nuts.

### Input Connection

Bring your line and neutral wires through input strain relief and connect them to the Black and White transformers leads.

### Dimming

If you are going to use dimmer, connect it as on diagram. If you going to use 0/1-10V, PWM dimmer or resistor, connect it to Purple- and Gray +. You porew connect directly to the driver.

### Output Connection

Bring your lights wires through output strain relief and connect to the Red + and Black - transformer leads. **Make sure all your connection very tight**

### Grounding

The LED Driver is grounded to the enclosure. The enclosure in turn should be grounded in accordance with NEC and local code. Connect the transformer green wire to the ground.