

# INSTALLATION INSTRUCTION

## Wall Wash

5021

# WAC LIGHTING

Responsible Lighting®

### WARNING

IMPORTANT: NEVER attempt to do any work without shutting off the electricity.

1. Read all instructions before installing.
2. System is intended for installation by a qualified electrician in accordance with the National Electrical Code and local regulations.
3. Place the wall switch in the "OFF" position.
4. Go to the main fuse box, or circuit breaker. Unscrew the fuse(s) or switch "OFF" the circuit breaker switch(es) that control the power to the space that you are working on.

### CAUTION

- All parts must be used as indicated in these instructions. Do not substitute any parts, leave parts out, or use any parts that are worn out or broken. Failure to follow this instruction may invalidate the UL listing of this fixture.

### AVERTISSEMENT

IMPORTANT : Coupez l'électricité avant TOUTE manipulation.

- Lisez toutes les instructions avant d'installer.
- Système est destiné à être installé par un électricien qualifié en conformité avec le code national de l'électricité et les règlements locaux.
- Placez l'interrupteur mural en position d'arrêt (« OFF »).
- Toujours mettre le fusible ou le disjoncteur en position arrêt dans la pièce ou des travaux électriques sont prévus

### MISE EN GARDE

- Toutes les pièces doivent être utilisées tel qu'il est indiqué dans ces instructions. Ne remplacez pas les pièces, n'en laissez pas de côté et ne les utilisez pas si elles sont usées ou brisées. Le non-respect de ces instructions peut annuler l'homologation UL du luminaire.

### ADVERTENCIA

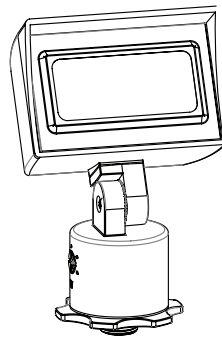
IMPORTANTE: NUNCA intente hacer trabajos sin desconectar el suministro eléctrico.

- Lea y comprenda todas las instrucciones e ilustraciones por completo antes de proceder con el ensamblaje e instalación de esta lámpara.
- Sistema está diseñado para ser instalado por un electricista calificado, de acuerdo con el código eléctrico nacional y las normas locales.
- Coloque el interruptor de la pared en la posición "OFF" (APAGADO).
- Diríjase a la caja de fusibles o a la caja del interruptor de circuito principal en su hogar. Coloque el interruptor de alimentación principal en la posición "OFF" (APAGADO).

### PRECAUCIÓN

- Todas las piezas deben usarse como lo indican estas instrucciones. No reemplace las piezas, no omita piezas durante la instalación ni utilice piezas gastadas o rotas. El incumplimiento de esta indicación podría invalidar la calificación UL esta lámpara.

This instruction apply to the model(s) below:



5021-27  
5021-30

waclighting.com

Phone (800) 526.2588

Fax (800) 526.2585

Headquarters/Eastern Distribution Center

44 Harbor Park Drive

Port Washington, NY 11050

Central Distribution Center

1600 Distribution Ct

Lithia Springs, GA 30122

Western Distribution Center

1750 Archibald Avenue

Ontario, CA 91760



# INSTALLATION INSTRUCTION

## Wall Wash

5021

# WAC LIGHTING

Responsible Lighting®

### MOUNTING ACCESSORIES



Mounting Stake  
Qty: 1 pcs



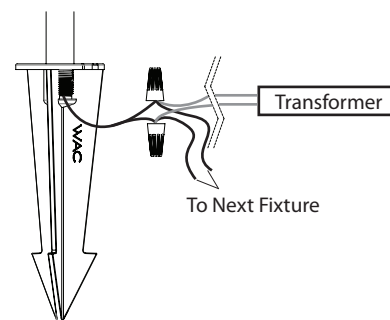
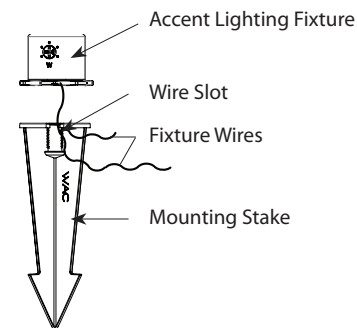
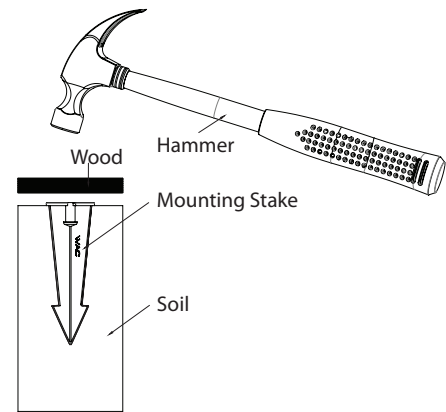
Outdoor Rated Wire Nut  
Qty: 2 pcs

### Step 1: Determining the location

1. Make sure your main power is off.
2. At the point of installation, mount the stake by placing a piece of wood on the stake and hammering the wood. Hammer till the bottom of the ring is flush with the ground.
3. In the case of hard soil, dig a hole and place the stake in so that the bottom of the ring is flush with the ground. Fill the rest of the hole with the removed soil and pack it tight to secure the stake.
4. Screw the fixture onto the stake provided, leading the wire from the fixture through the wire slot in the stake.

### Step 2: Wiring the Fixture

5. Cut the power supply wire from the transformer at the location of the fixture.
6. Separate the power supply wire into two individual wires by lightly pulling on each side so that a couple inches is separated.
7. Strip off ½ inch of the insulating material from each wire and connect one to each of the wires from the fixture using the outdoor rated direct burial wire nuts provided.



Note: To install multiple fixtures, also connect the power supply wire of each additional fixture to the connection described in 7 of the previous fixture.

waclighting.com  
Phone (800) 526.2588  
Fax (800) 526.2585

Headquarters/Eastern Distribution Center  
44 Harbor Park Drive  
Port Washington, NY 11050

Central Distribution Center  
1600 Distribution Ct  
Lithia Springs, GA 30122

Western Distribution Center  
1750 Archibald Avenue  
Ontario, CA 91760



# INSTALLATION INSTRUCTION

## Wall Wash

5021

# WAC LIGHTING

Responsible Lighting®

### Step 3: Installing the Fixture

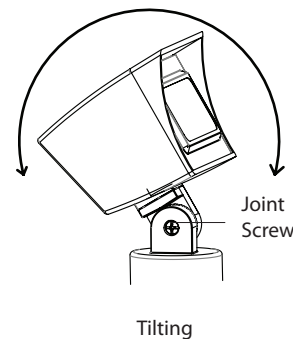
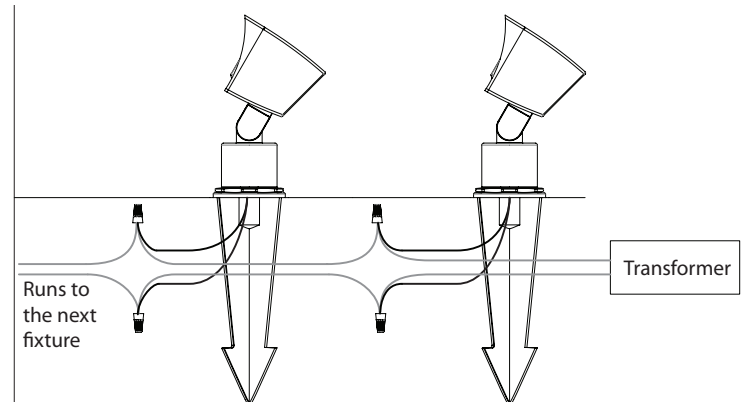
8. Screw the fixture onto the stake provided, leading the wire from the fixture through the wire slot in the stake.
9. If desired, bury your wire by digging a small trench. Close the trench by applying an inward force to both sides of the trench.
10. Repeat steps for other fixtures in the same electrical circuit.
11. Turn the main power supply back on and make sure the fixtures light up.

### Step 4: Aiming the Fixture

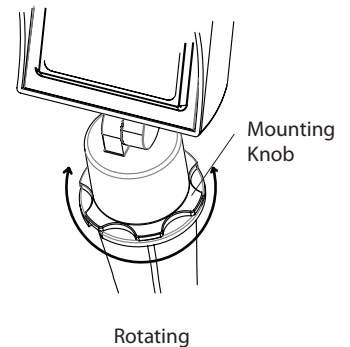
12. Tilting: Loosen the joint screw and adjust the head of the fixture to the desired direction before retightening the screw.
13. Rotating: Loosen the mounting knob and rotate the fixture to the desired position before retightening the knob.

### Step 5: Dimming Adjustment:

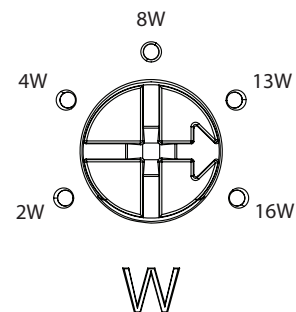
14. Use a Phillips head screwdriver to adjust the dimming dial.
15. Rotate until the arrow on the dial is pointed at the desired wattage. The wattage may be adjusted to the pre-existing tabs or any value in between.
16. The lower the wattage, the dimmer the fixture will be.
17. Please refer to the yellow tag to determine the size of the required transformer.



Tilting



Rotating



Model: 5021

waclighting.com  
Phone (800) 526.2588  
Fax (800) 526.2585

Headquarters/Eastern Distribution Center  
44 Harbor Park Drive  
Port Washington, NY 11050

Central Distribution Center  
1600 Distribution Ct  
Lithia Springs, GA 30122

Western Distribution Center  
1750 Archibald Avenue  
Ontario, CA 91760



# INSTALLATION INSTRUCTION

## Wall Wash

5021

# WAC LIGHTING

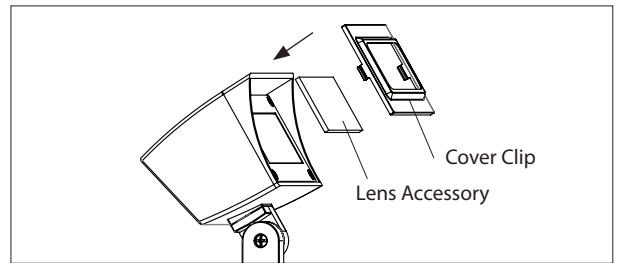
Responsible Lighting®

### ACCESSORIES

#### I. Lens Accessory:

Frosted, red, blue, green and amber lens accessories are used to alter the spectrum and distribution of the light coming out of the fixture.

**Installation:** Place the lens to the cover clip and clip into the fixture.

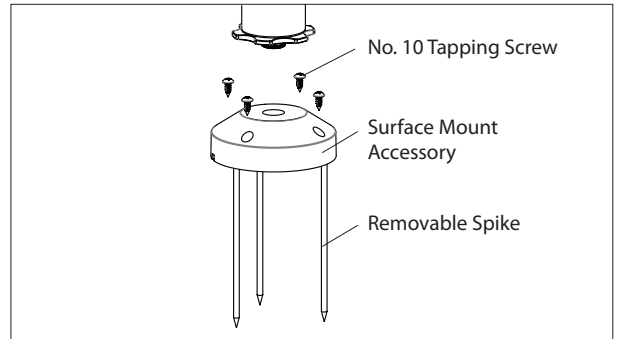


#### II. Surface Mount Accessory

The surface mount accessory is used to mount the fixture to a hard surface like wood or cement or as alternative to the mounting stake.

**Installation:** Mount the accessory to a hard surface using No. 10 Philips head screws that are at least half an inch long. If mounting on concrete or something similar, first use a plastic anchor sized for No. 10 screws. If mounting on a soft surface first attach the included spikes.

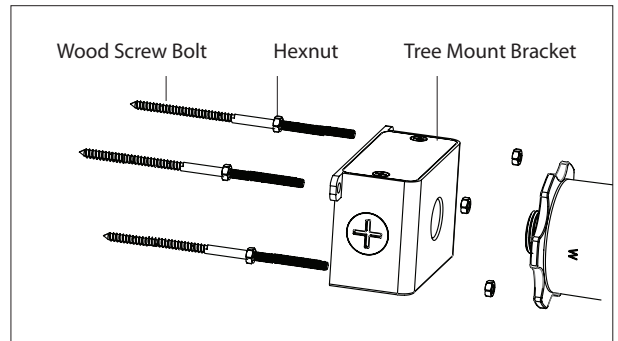
Create a route underneath the accessory for your wire to travel through. Lead your wire through the created route and screw your fixture onto the surface mount accessory.



#### III. Tree Mount Accessory:

The tree mount accessory is a way for fixtures to be mounted on the trunk or a branch of a tree while minimizing damage to the tree.

**Installation:** Mark the screw hole locations at the point of installation. Thread one hex nut onto the screw until it is stopped by the wood screw portion. Use a wrench to screw the bolt into the tree until the unthreaded portion of the bolt meets the surface of the tree. (Do this for all three bolts.) Place the tree mount bracket onto the bolts and secure it using additional hex nuts. Attach light fixture and lead wire through the bracket. Place all wire nuts into the tree mount bracket.

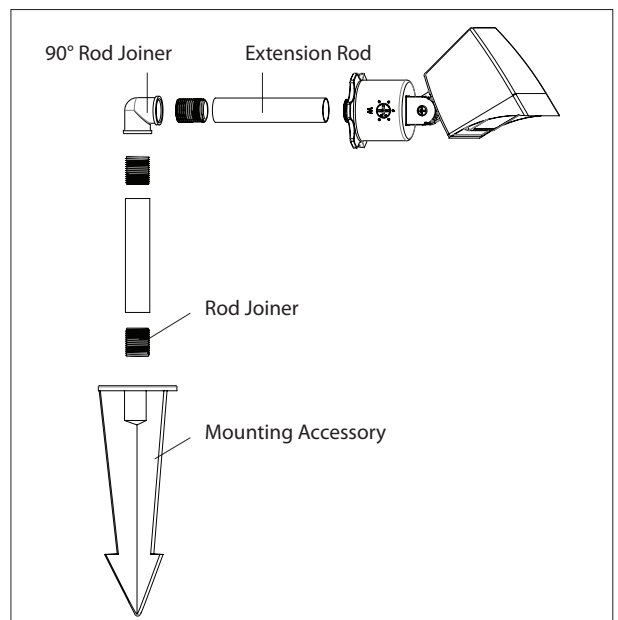


#### IV. Extension Accessory

Using extension rods and rod joiners, fixtures can be mounted away from a surface in any desired direction.

Rods come in 5 sizes: 4 inches, 8 inches, 12 inches, 18 inches, and 24 inches. These rods can be connected via either straight or 90 degree rod joiners.

**Installation:** Screw in a rod joiner into your mounting accessory. Screw an extension rod to the other side of the rod joiner. Continue to use rod joiners and extension rods until the fixture is in the desired position.



waclighting.com

Phone (800) 526.2588

Fax (800) 526.2585

Headquarters/Eastern Distribution Center

44 Harbor Park Drive

Port Washington, NY 11050

Central Distribution Center

1600 Distribution Ct

Lithia Springs, GA 30122

Western Distribution Center

1750 Archibald Avenue

Ontario, CA 91760

