

INSTALLATION INSTRUCTIONS

Adjustable Beam Wall Wash

5222

WAC LIGHTING

CAUTION: TO PREVENT ELECTRICAL SHOCK, ENSURE ELECTRICITY HAS BEEN TURNED OFF AT THE CIRCUIT BREAKER BEFORE BEGINNING.

- Read all instructions before installing.
- System is intended for installation by a licensed electrician in accordance with the National Electrical Code (NEC) and local regulations.
- When handling the fixture, do not apply pressure to the LEDs. Hold the fixture by the base only.
- Retain installation instructions for future maintenance reference.
- Risk of electric shock. Install all luminaires 10 feet (3.05m) or more from a pool, spa, or fountain.

WARNING: All parts must be used as indicated in these instructions. This product is designed for use only with the supplied parts and/or accessories designated for use by WAC Lighting. Substitution of parts or accessories not designated for use with this product by WAC Lighting could result in personal injury or property damage, and will void the warranty. Contact an authorized dealer or the manufacturer if any parts are damaged or missing.

MAINTENANCE NOTE: Coastal conditions may cause mineral and residue build-up on the fixture. We recommend that customers in coastal areas clean all external surfaces of the fixture once every two weeks with a wet cloth.

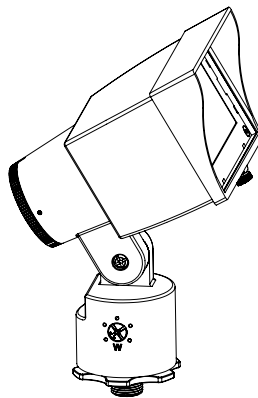
MISE EN GARDE: Pour éviter tout choc électrique, assurez-vous que le disjoncteur soit mis hors tension avant de commencer.

- Lisez toutes les instructions avant l'installation.
- Le système doit être installé par un électricien licencié conformément au code national de l'électricité (NEC), et également aux règlements locaux.
- Lors de la manipulation du luminaire, n'appuyez pas sur les LED. Tenez-le uniquement par la base.
- Risque de choc électrique. Installez tous les luminaires de (3.05m) (10 ft.) ou plus d'une piscine, d'un spa ou d'une fontaine.

ATTENTION: Toutes les pièces doivent être utilisées comme indiqué dans ces instructions. Ce produit est conçu pour être utilisé seulement avec les pièces et/ou accessoires fournis pour être utilisés avec les produits WAC Lighting. Remplacer des pièces ou accessoires non conçus pour ce produit WAC Lighting pourrait causer des dommages corporels ou matériels et pourrait également causer l'annulation de la garantie. Veuillez contacter un revendeur autorisé ou le fabricant si des pièces manquent ou sont endommagées.

NOTE D'ENTRETIEN: Les conditions côtières peut causer une accumulation de minéraux et de résidu sur le luminaire. Nous recommandons aux clients qui résident dans les zones côtières de nettoyer toutes les surfaces externes du luminaire une fois toutes les deux semaines avec un chiffon humide.

THE INSTRUCTIONS APPLY TO THE MODEL BELOW:

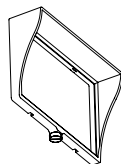


5222

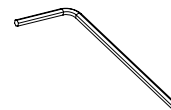
HARDWARE



Rated Wire Nut
7ECA2414011
Qty: 3 pcs



Horizontal Shroud Assembly
5220-HSHR-BK
5220-HSHR-BZ
5220-HSHR-BBR
Qty: 1 pc



Hex Key
7MPE155003
Qty: 1 pc

waclighting.com
Phone (800) 526.2588
Fax (800) 526.2585

Headquarters/Eastern Distribution Center
44 Harbor Park Drive
Port Washington, NY 11050

Central Distribution Center
1600 Distribution Ct
Lithia Springs, GA 30122

Western Distribution Center
1750 Archibald Avenue
Ontario, CA 91760

INSTALLATION INSTRUCTIONS

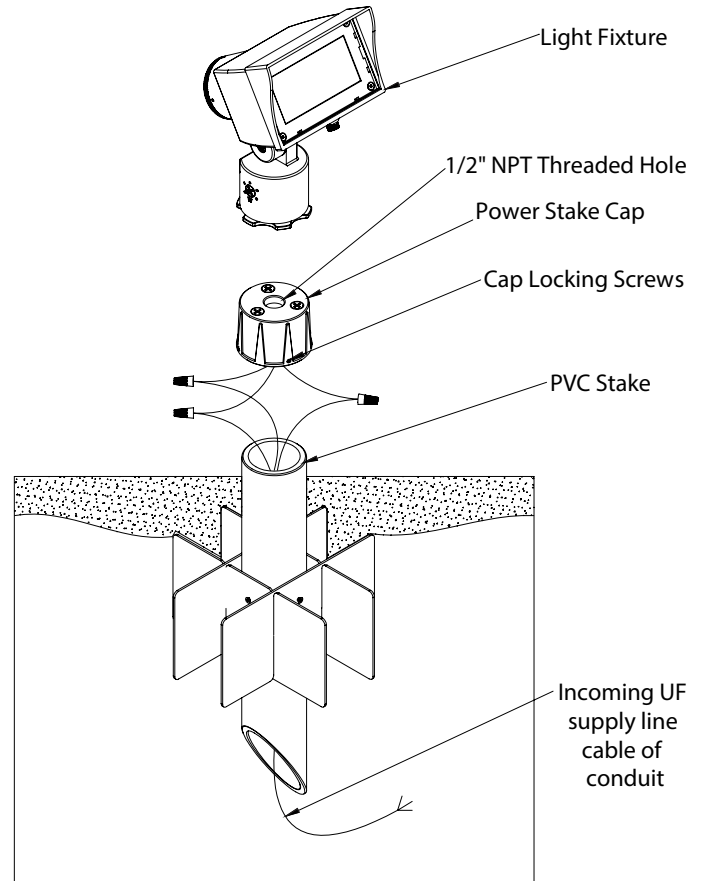
Adjustable Beam Wall Wash

5222

WAC LIGHTING

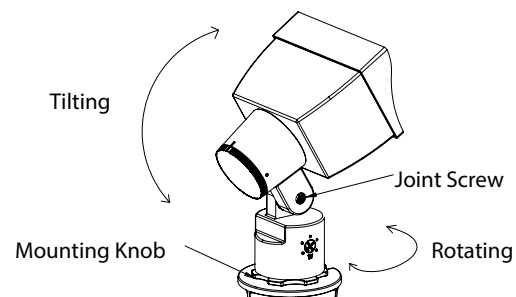
STEP 1: DETERMINING THE LOCATION

1. Make sure your main power is off.
2. Excavate a trench for the UF supply line cable or conduit/conductors and the Landscape Power Stake. The Landscape Power Stake requires approximately a one (1) square foot hole to facilitate installation. The excavated should be approximately 15" deep. This will allow the hex-head set screw on the Power Stake Cap to remain above ground while the installation is completed.
3. Turn the hex-head set screw counterclockwise to remove the Power Stake Cap from the top of the PVC Light Stake.
4. Feed the light fixtures black, white, and ground wires through the top of the Power Stake Cap. Then, thread the light fixture until it's firmly attached to the Power Stake Cap.
5. Feed the incoming supply line cable through the slanted bottom of the PVC Light Stake.
NOTE: If you are wiring multiple light fixtures in series, also bring the second supply line cable into the PVC Light Stake.
6. Using appropriate UL Listed wire connectors, splice the white wire from the light fixture to the incoming supply line cable's white wire(s), and the black wire from the light fixture to the incoming supply line's black wire(s). Then splice the ground wire from the light fixture to the incoming supply line cable(s) ground wire(s).
7. Place the Power Stake Cap with attached light fixture over the PVC Light Stake. Carefully push the incoming supply line cable down into the PVC Light Stake. Tighten the hex-head screw clockwise on the Landscape Power Stake Cap.
8. Lower the completely wired and assembled Landscape Power Stake into the excavated hole. Make sure that the excavated hole is approximately 13" deep to allow the hex-head set screw on the Landscape Power Stake Cap to remain above the ground.
9. Back fill the soil around the Landscape Power Stake.
10. Repeat steps for other fixtures in the same electrical circuit.
11. Turn the main power supply back on and make sure the fixtures light up.



STEP 2: AIMING THE FIXTURE

1. Tilting: Loosen the joint screw and adjust the head of the fixture to the desired direction before retightening the screw.
2. Loosen the mounting knob and rotate the fixture to the desired position before retightening the knob.



waclighting.com
Phone (800) 526.2588
Fax (800) 526.2585

Headquarters/Eastern Distribution Center
44 Harbor Park Drive
Port Washington, NY 11050

Central Distribution Center
1600 Distribution Ct
Lithia Springs, GA 30122

Western Distribution Center
1750 Archibald Avenue
Ontario, CA 91760

INSTALLATION INSTRUCTIONS

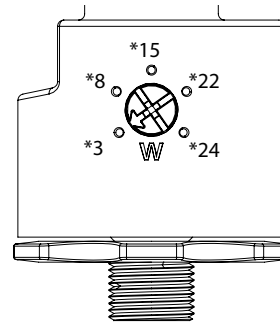
Adjustable Beam Wall Wash

5222

WAC LIGHTING

STEP 3: DIMMING ADJUSTMENT

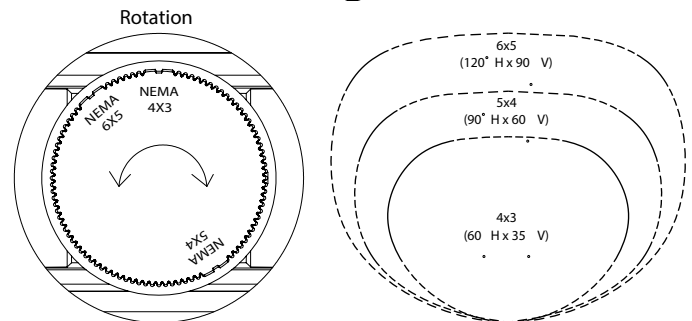
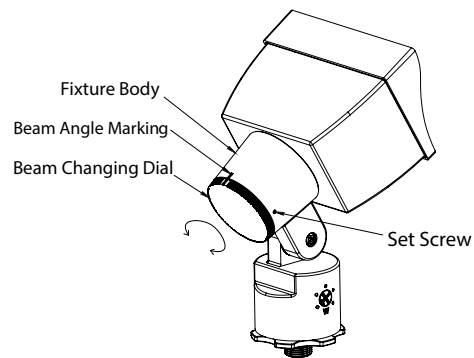
1. Use a Philips head screwdriver to adjust the dimming dial.
2. Rotate until the arrow on the dial is pointed at the desired wattage. The wattage may be adjusted to the pre-existing tabs or any value in between.
3. The lower the wattage, the dimmer the fixture will be.
4. Please refer to the yellow tag that is included in the packaging to determine the size of the required transformer.



Model: 5222
*Numbers not printed on fixture

STEP 4: BEAM ANGLE ADJUSTMENT:

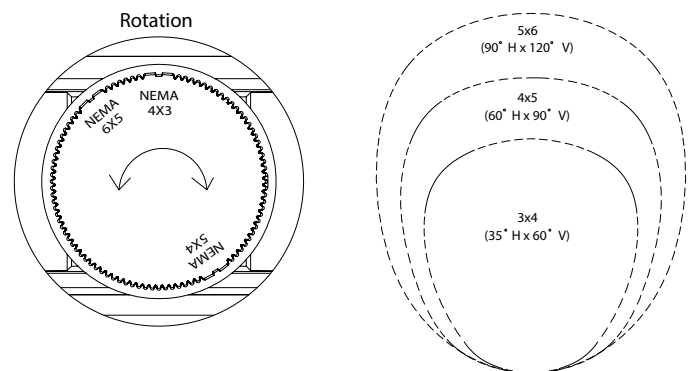
1. Note the three pre-determined beam angles on the beam angle changing dial.
2. Use the provided Hex Key to slightly loosen the set screw one or two turns. Do not remove set screw from the fixture.
CAUTION: Do not remove set screw from the fixture. It should only be removed from the fixture for servicing. Consult factory for service instruction.
3. Hold the fixture body and rotate the dial until the arrow is aligned with the desired beam angle. This beam angle may be one of the pre-determined markings or any number in between.
CAUTION: Keep the arrow marking on the fixture body between the beam angle range.
4. Tighten the set screw until it stops. Do not over tighten.



STEP 5: VERTICAL FIXTURE HEAD ROTATION ADJUSTMENT

1. Note the fixture head can be rotated 90 degrees to achieve vertical wall wash applications.
2. Hold fixture body with one hand and rotate the fixture head with another hand to 90 degree.
3. Loose thumb screw and swap the horizontal shroud with a vertical shroud.

NOTE: Vertical shroud is not provided (sold separately).



waclighting.com
Phone (800) 526.2588
Fax (800) 526.2585

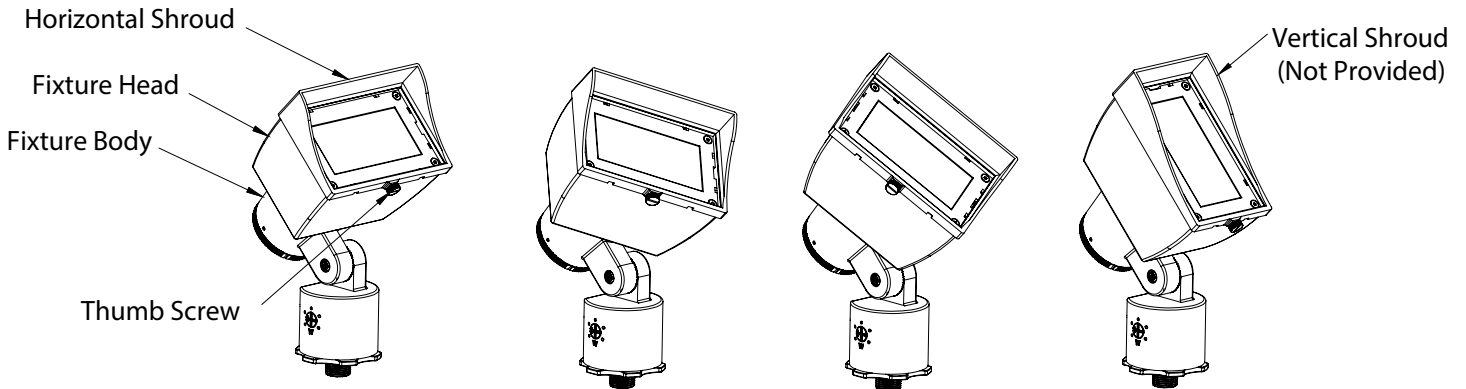
Headquarters/Eastern Distribution Center
44 Harbor Park Drive
Port Washington, NY 11050

Central Distribution Center
1600 Distribution Ct
Lithia Springs, GA 30122

Western Distribution Center
1750 Archibald Avenue
Ontario, CA 91760

INSTALLATION INSTRUCTIONS
Adjustable Beam Wall Wash
 5222

WAC LIGHTING

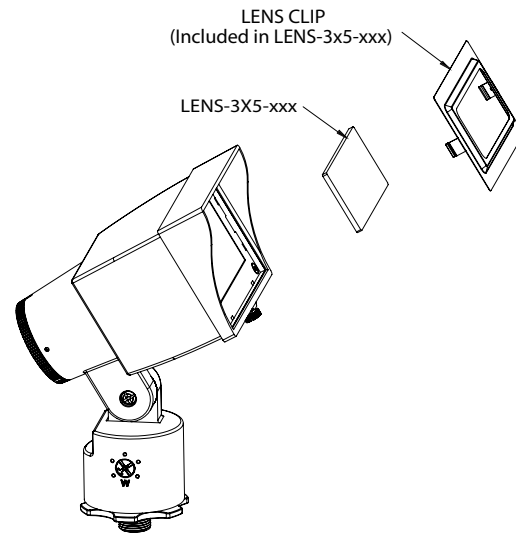


ACCESSORIES

1. **COLOR LENS:**

Colored lenses come in red, blue, green, amber, frosted, and beam spread to filter the light coming out of the fixture.

Installation: Push the lens onto the center of the clip and push them onto the front of the fixture.



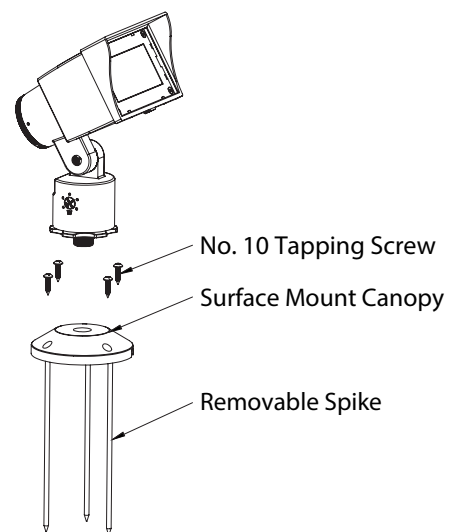
ACCESSORIES

2. **SURFACE MOUNT ACCESSORY:**

The surface mount accessory is used to mount the fixture to a hard surface like wood or cement or as alternative to the mounting stake.

Installation: Mount the accessory to a hard surface using No. 10 Philips head screws that are at least half an inch long. If mounting on concrete or a similar surface, first use a plastic anchor sized for No. 10 screws. If mounting on a soft surface first attach the included spikes.

Create a route underneath the accessory for your wire to travel through. Lead your wire through the created route and screw your fixture onto the surface mount accessory.



waclighting.com
 Phone (800) 526.2588
 Fax (800) 526.2585

Headquarters/Eastern Distribution Center
 44 Harbor Park Drive
 Port Washington, NY 11050

Central Distribution Center
 1600 Distribution Ct
 Lithia Springs, GA 30122

Western Distribution Center
 1750 Archibald Avenue
 Ontario, CA 91760

INSTALLATION INSTRUCTIONS

Adjustable Beam Wall Wash

5222

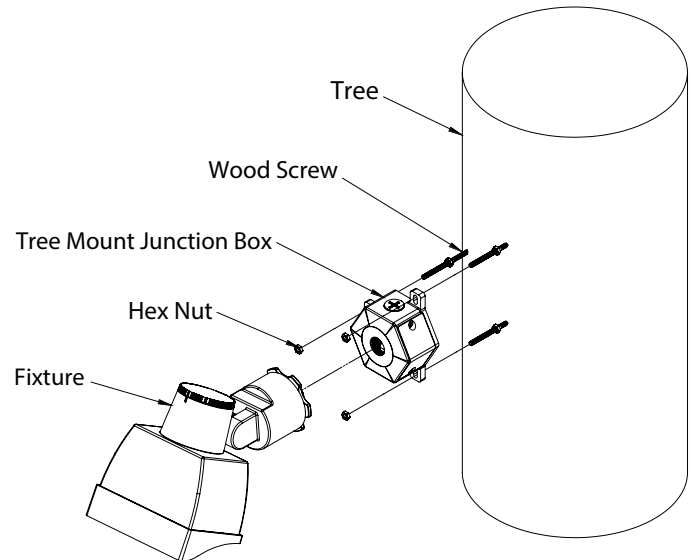
WAC LIGHTING

3. TREE MOUNT ACCESSORY:

The tree mount accessory is a way for fixtures to be mounted on the trunk or a branch of a tree while minimizing damage to the tree.

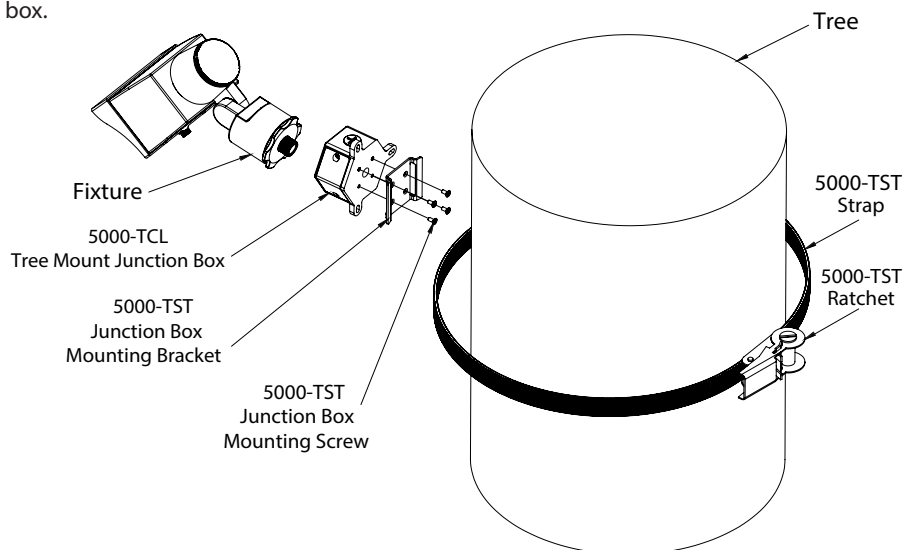
Installation with Wood Screw Bolt:

1. Mark the screw hole locations at the point of installation.
2. Thread one hex nut from the flat side of wood screw bolt until end of threaded.
3. Use a wrench to screw the bolt into the tree until unthreaded portion of the bolt meets the surface of the tree (Do this for all three bolts).
4. Place the tree mount junction box onto the bolts and secure it using additional hex nuts.
5. Attach light fixture and lead wire through the junction box. Place all wire nuts into the tree mount junction box.



Installation with Wood Screw Bolt:

1. Mount the junction box mounting bracket onto the back of the tree mount junction box with 4 screws (Leave the wood screw bolts as they are not required for this installation).
2. Put the ratchet strap through the junction box mounting bracket and tight the strap onto the tree.
3. Secure and tighten the strap by using the ratchet.
4. Attach light fixture and lead wire through the junction box. Place all wire nuts into the tree mount junction box.



NOTE: Due to tree growth, annual inspection of the strap is required to ensure that the fixture is secure. Failure to do so may cause the fixture to fall from the tree, or damage to the fixture or other items.

waclighting.com
Phone (800) 526.2588
Fax (800) 526.2585

Headquarters/Eastern Distribution Center
44 Harbor Park Drive
Port Washington, NY 11050

Central Distribution Center
1600 Distribution Ct
Lithia Springs, GA 30122

Western Distribution Center
1750 Archibald Avenue
Ontario, CA 91760