

INSTALLATION INSTRUCTION

LED Step and Wall Lights - 12V

4031, 4041, 4051, 4061, 4071, 4091

WAC LIGHTING
Responsible Lighting®

WARNING

IMPORTANT: NEVER attempt to do any work without shutting off the electricity.

1. Read all instructions before installing.
2. System is intended for installation by a qualified electrician in accordance with the National Electrical Code and local regulations.
3. Place the wall switch in the "OFF" position.
4. Go to the main fuse box, or circuit breaker. Unscrew the fuse(s) or switch "OFF" the circuit breaker switch(es) that control the power to the space that you are working on.

CAUTION

- All parts must be used as indicated in these instructions. Do not substitute any parts, leave parts out, or use any parts that are worn out or broken. Failure to follow this instruction may invalidate the ETL/cETL listing of this fixture.

AVERTISSEMENT

IMPORTANT : Coupez l'électricité avant TOUTE manipulation.

- Lisez toutes les instructions avant d'installer.
- Système est destiné à être installé par un électricien qualifié en conformité avec le code national de l'électricité et les règlements locaux.
- Placez l'interrupteur mural en position d'arrêt (« OFF »).
- Toujours mettre le fusible ou le disjoncteur en position arrêt dans la pièce ou des travaux électriques sont prévus

MISE EN GARDE

- Toutes les pièces doivent être utilisées tel qu'il est indiqué dans ces instructions. Ne remplacez pas les pièces, n'en laissez pas de côté et ne les utilisez pas si elles sont usées ou brisées. Le non-respect de ces instructions peut annuler l'homologation ETL/cETL du luminaire.

ADVERTENCIA

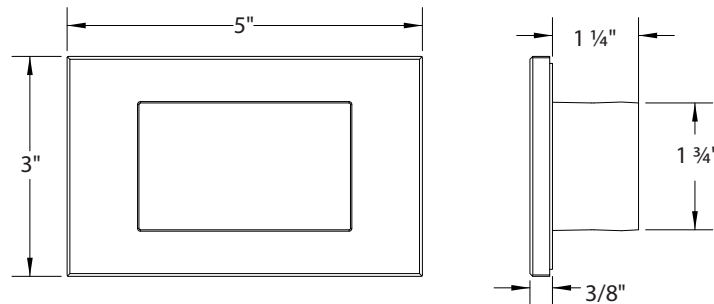
IMPORTANTE: NUNCA intente hacer trabajos sin desconectar el suministro eléctrico.

- Lea y comprenda todas las instrucciones e ilustraciones por completo antes de proceder con el ensamblaje e instalación de esta lámpara.
- Sistema está diseñado para ser instalado por un electricista calificado, de acuerdo con el código eléctrico nacional y las normas locales.
- Coloque el interruptor de la pared en la posición "OFF" (APAGADO).
- Diríjase a la caja de fusibles o a la caja del interruptor de circuito principal en su hogar. Coloque el interruptor de alimentación principal en la posición "OFF" (APAGADO).

PRECAUCIÓN

- Todas las piezas deben usarse como lo indican estas instrucciones. No reemplace las piezas, no omita piezas durante la instalación ni utilice piezas gastadas o rotas. El incumplimiento de esta indicación podría invalidar la calificación ETL/cETL esta lámpara.

OVERALL DIMENSIONS:



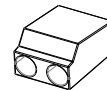
4071 used as reference.

HARDWARE



Junction Box Mounting Screw

Qty: 2 pcs
1/8"-40, * 3/4"
Stainless Steel



Wire Nuts
Qty: 2 pcs

wacighting.com
Phone (800) 526.2588
Fax (800) 526.2585

Headquarters/Eastern Distribution Center
44 Harbor Park Drive
Port Washington, NY 11050

Central Distribution Center
1600 Distribution Ct
Lithia Springs, GA 30122

Western Distribution Center
1750 Archibald Avenue
Ontario, CA 91760



INSTALLATION INSTRUCTION

LED Step and Wall Lights - 12V

4031, 4041, 4051, 4061, 4071, 4091

WAC LIGHTING
Responsible Lighting®

INSTALLATION AND WIRING

JUNCTION BOX: 2" x 4" boxes to have minimum inside dimensions of 3"H x 2"W x 2"D in order to accommodate fixtures.

Note: Actual depth of box to be determined in accordance with the NEC and local ordinances. Indoor or outdoor frame mounted junction box: Raco 2" x 4" (16.5 cu. In) or equivalent recommended. Outdoor surface mounted junction box: Red Dot deep weatherproof box Model S103E or equiv. recommended. Mortar or poured concrete installation: Use appropriate junction box suitable for that particular application

Note: Determine junction box and step light orientation (vertical/horizontal) prior to installation. Horizontal installation shown below.

STEP 1:

- Install 2" x 4" junction box, and ensure it is water-tight for outdoor use.

STEP 2:

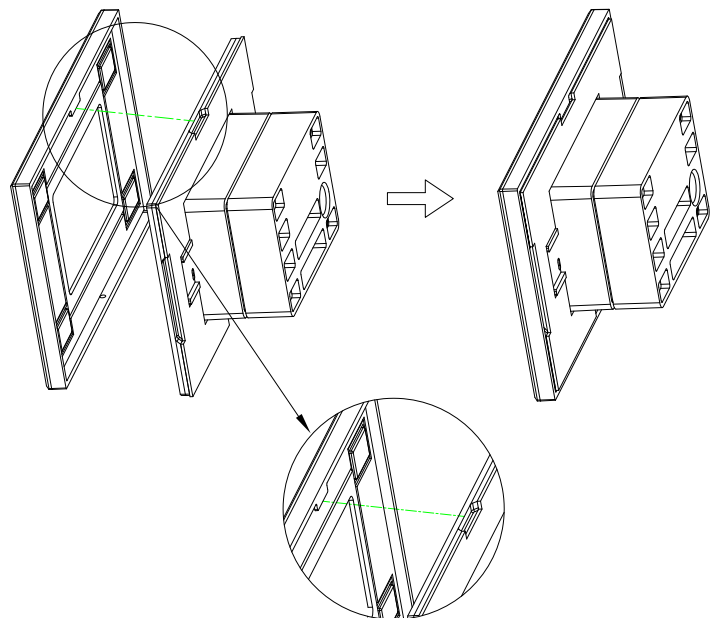
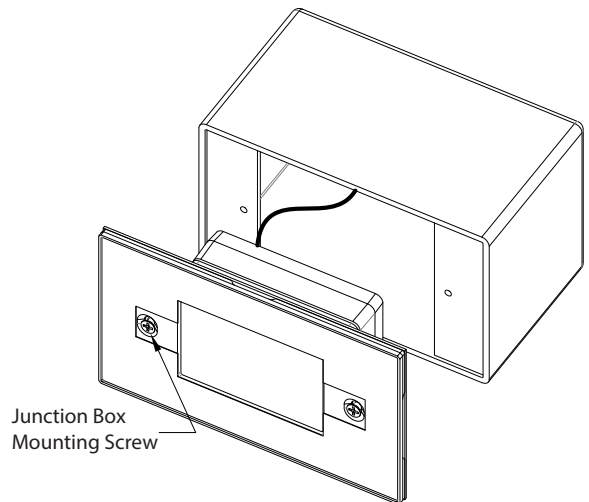
- Lead the wires from a low voltage magnetic transformer into the junction box and waterproof the opening using a conduit and thread seal tape or silicon sealant.
- Connect the fixture wires to the junction box wires using the provided wire nuts
- Place all wiring and connectors back in the junction box.

STEP 3:

- Use the provided junction box mounting screws to install fixture onto the junction box.

STEP 5:

- Hook the cover plate onto the LED light engine.
- Push the cover plate towards the light engine until the cover magnetically secures to the installation.



4071 used as reference.

waclighting.com
Phone (800) 526.2588
Fax (800) 526.2585

Headquarters/Eastern Distribution Center
44 Harbor Park Drive
Port Washington, NY 11050

Central Distribution Center
1600 Distribution Ct
Lithia Springs, GA 30122

Western Distribution Center
1750 Archibald Avenue
Ontario, CA 91760

