

REVISED EDITION

# Off Grid LED Solar Bollard Light

# User Manual

RP-SBL-2W-40K-BK-G1



2W / 266 LM

RoHS

CE

FC



**IP65**  
OUTDOOR RATED

# Product Information

Product Model	RP-SBL-2W-40K-BK-G1
Actual Power/ Lumen	1.8W / 196-266 LM
Dimension L x W x H	4.33 in * 47.24 in * 4.33 in
LED rated life	>50,000 HRS
LiFePO4 Battery	6.4V / 5AH
Solar Panel	9V / 3.5W Monocrystalline Solar Panel, Grade A
Working Mode	12 hours of brightness
Color Temperature	4000K
Material	6063 Aluminum + Polycarbonate
Charge Time	Around 8 hours of sunlight
Beam Angle	120°
IP Degree	IP65
Recommended Install Height	n/a
Weight	10.8 lbs
Warranty	3 YEARS
Packing	QTY/CTN: 1pc
Battery Charging Temp	Charging Temperature 32°F ~ 149°F Discharging Temperature -13°F ~ 140°F
Fixture Operating Temp	-13°F ~ 140°F

## Applications:

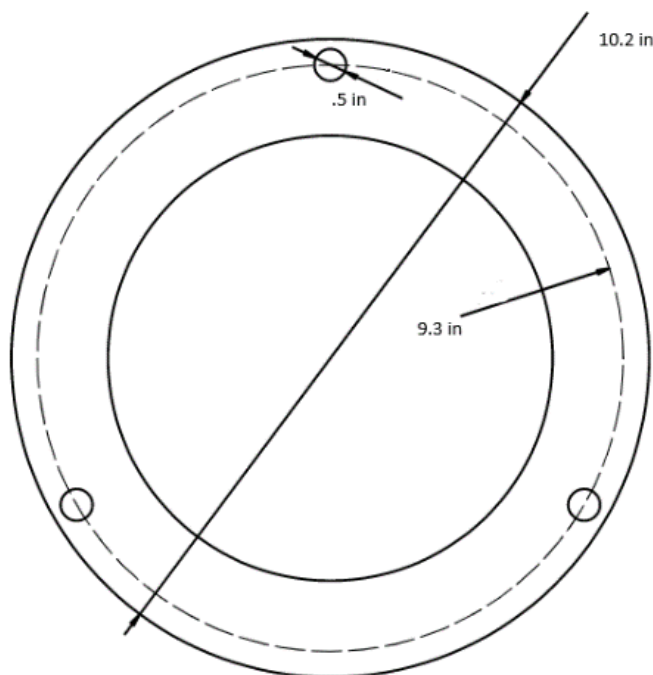
- Entrances
- Perimeters
- Schools
- Pathways

## Features:

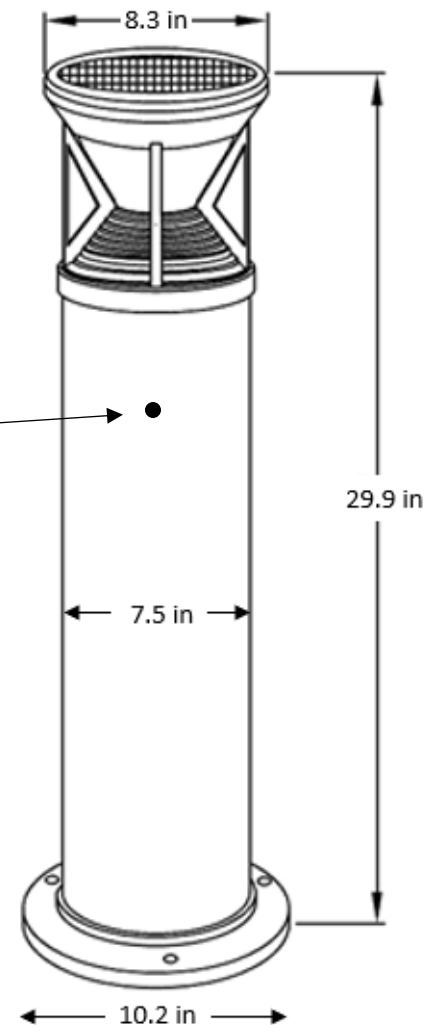
- Easy Installation w/ integrated design
- Battery can support 2-3 nights with cloudy days
- High Quality LED chips and Aluminum Housing
- IP65 ingress rating

## Bracket Installation Instructions:

1. According to the baseplate, place the pole on the ground, and install the screws.
2. Tighten the screws firmly.
3. Turn on the switch.



**Pull out the waterproof plug, press the switch & then put the waterproof plug back in.**



# Battery Replacement

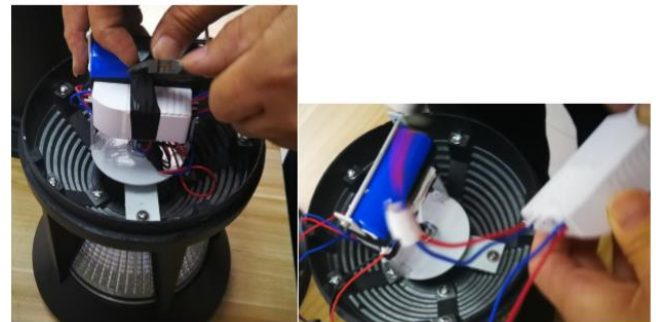
## \*Notes:

1. Do not install the lamp where there is no sunlight available, otherwise, the lamp will have a hard time absorbing light. Do not install the lamp under an area where shading may occur.
2. In order to ensure that the lamp works in an ideal state over time, clean the solar panel lens every few months to clear dust and debris.
3. Due to high humidity and temperature differences between indoor and outdoor environments, there might be condensing drops inside the products lens. This is normal and does not affect normal use.
4. The battery does not come fully charged out of the box, so please allow several charge and discharge cycles to get to full capacity again.

1. Unscrew and take off the fixture head



2. Remove the tape, and remove the controller



3. Disconnect the battery wire connector **ONLY**, unscrew the metal bracket, remove the black tape and replace with a new battery. Connect the battery wires and fasten the controller, then install the head accordingly.

