

Off Grid LED Solar Display Light

User Manual

RP-SDL-20W-40K-BK-G1



20W / 2000 LM

RoHS CE FC  

Product Information

Product Model	RP-SDL-20W-40K-BK-G1
Power/ Lumen	20W / 2000 LM
Dimension L x W x H	4.33 in * 47.24 in * 4.33 in
LED rated life	>50,000 HRS
Li-Ion Battery	3.7V / 35.2AH
Solar Panel	5.5V 17W Polycrystalline
Working Mode	4 hrs. at 100% full brightness then 25% brightness for the remainder of the night
Kelvin	4000K
Material	Aluminum Alloy + Polycarbonate
Charge Time	Around 8-9 hours of sunlight
Beam Angle	120°
IP Degree	IP65
Recommended Install Height	>8 ft
Warranty	3 YEARS
Packing	QTY/CTN: 1pc
Battery Charging Temp	Charging Temperature 32°F ~ 113°F Discharging Temperature -4°F ~ 140°F
Fixture Operating Temp	-4°F ~ 140°F

Applications:

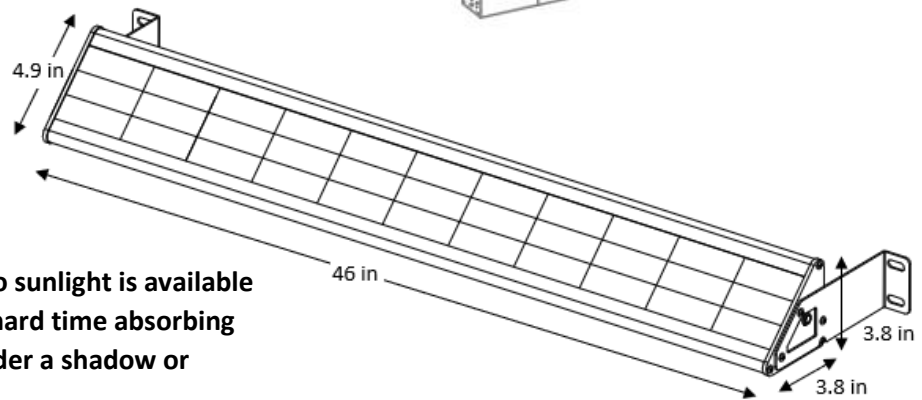
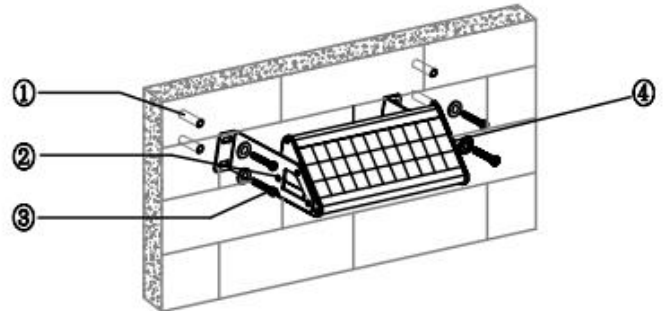
- Advertisements
- Signage
- Walls
- Pathways

Features:

- Easy Installation w/ integrated design
- Battery can support 2-3 nights with cloudy days
- High Quality LED chips and Aluminum
- IP65 ingress rating

Bracket Installation Instructions:

1. Drill mounting holes and place the wall anchors
2. Fix the two brackets on the sides of the fixture and then attach on the wall
3. Tighten the screws firmly
4. Turn on the switch

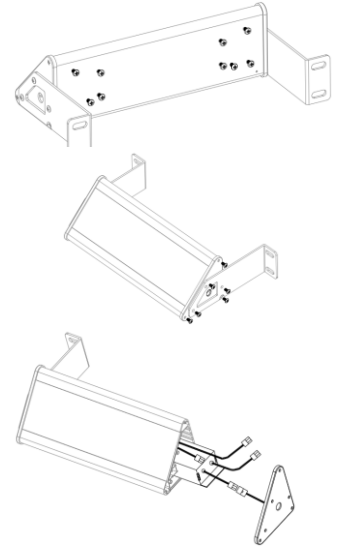


Special Note:

1. Do not install the lamp where no sunlight is available otherwise the lamp will have a hard time absorbing light. Do not install the lamp under a shadow or between two buildings.
2. Do not use the lamp in an environment with a temperature above 140 F° or below -4 F°, otherwise it will cause rapid attenuation of the battery and affect the batteries longevity or even damage.
3. In order to ensure that the lamp works in an ideal state over time, clean the solar panel lens every few months to clear dust and debris.

Battery Replacement

STEP 1: Loosen the rear facing screws on the main frame and ensure the battery box is loose (free) to move.

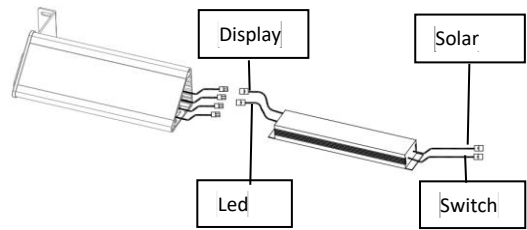


STEP 2: VERY IMPORTANT Be sure to disassemble (unscrew) the mounting bracket and end cap on the button side of the light fitting.

STEP 3: After opening the end cap on the button side, remove the quick connection cable clamps smoothly to avoid damaging the wire. Disconnect the wires marked (Solar/Switch/LED/Display) and gently slide out the battery pack.

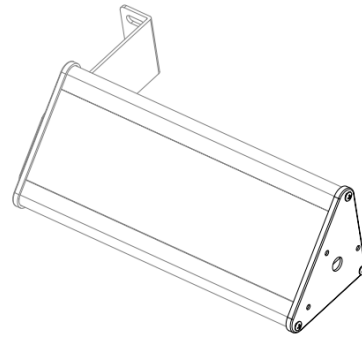
STEP 4:

- a. Ensure the replacement battery compartment is inserted in the correct direction:
 - 1. Cables marked (Display/LED), insert towards the LED display
 - 2. Cables marked with (solar/switch), extend towards the On /Off button side
- b. Reconnect the cables marked (display/LED/solar/switch), then slide over the connector isolation covers (clear silicon covers). Slide the battery back into the fixture,



STEP 5:

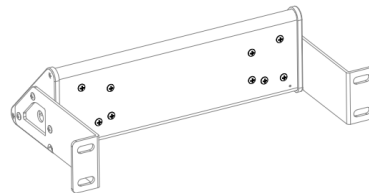
- a. Replace the button end cap to the light fitting and then tighten the screws firmly. (NOTE* Do not over tighten the screws as the aluminum threads will strip)
- b. To reset and test, push the On/Off button and ensure the entire solar panel is covered to prevent UV light reaching the surface. The light will turn on automatically.



*If the above test does not work, the installation steps must be repeated to check that all the wires are connected properly.

STEP 6:

Line up all the screws on the back of the light fitting and then tighten. This is best done before re-fitting the end cap, as the battery compartment can be maneuvered to help line up the back screws.



STEP 7:

Check all seals and fittings are in place, then re-install the button end cap and mounting brackets, firmly tightening the screws. All the screws should be done by fingers before using a screw driver to finish

