

MR16 ECOSTAR

DESCRIPTION

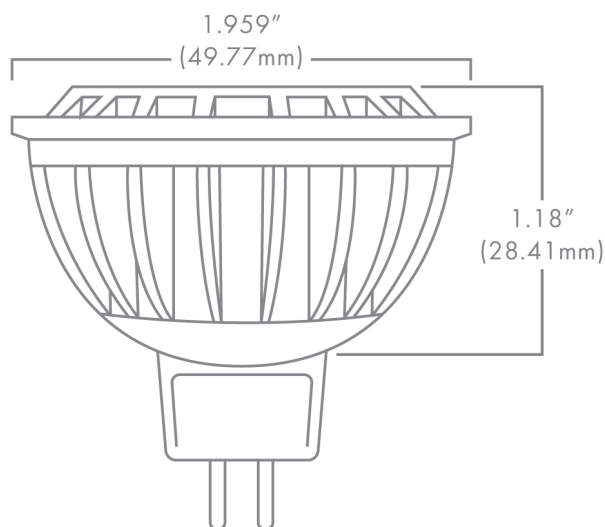
The Brilliance MR16 ECOSTAR Bi-Pin lamp is designed to fit in standard low voltage fixtures. Designed for budget-conscious landscape lighting projects. Dimmable with Brilliance Dimmer and most magnetic transformers.

MR16 ECOSTAR FEATURES

- White housing
- Enhanced ESD (Electro-Static Discharge) protection (IEC-61000-4-2)
- Heat overload protection technology

MR16 ECOSTAR SPECS

Wattage	4W	7W	
Volt Amps	6.35	11.11	
Lumens	2700K	350	640
	3000K	420	660
	5700K	430	-
Beam Spread†	15°, 30°, 60°, 120°		
Kelvin Temperature	2700, 3000, 5700		
Operating Range	8-25 VAC/DC		
Replaces	35W, 50W Halogen		
CRI	80		
IP	61		
Lamp Life (hours)	30,000		
Warranty (years)	3		



Part Number: **MR16-X-ECO-XXXX-XXX**

Wattage | Kelvin | Beam spread



† Select Beam Spreads Available in Stock.
Call 800-867-2108 for availability.