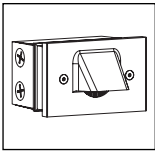


BACK BOX

Low Voltage Halogen



Installation Instructions



Warning



Low Voltage



Hot Surface

TOOLS NEEDED:



1/8" Allen Wrench

Waterproof Wire Connectors

By Others

INSTRUCTIONS PERTAINING TO A RISK OF FIRE, OR INJURY TO PERSONS IMPORTANT SAFETY INSTRUCTIONS

Lighted lamp is HOT!
WARNING - To reduce the risk of FIRE OR INJURY TO PERSONS:
 Turn off/unplug and allow to cool before replacing lamp.
 Lamp gets HOT quickly! Contact only switch/plug when turning on.
 Do not touch hot lens, guard, or enclosure (see diagram/picture).
 Keep lamp away from materials that may burn.
 Do no touch the lamp at any time. Use a soft cloth. Oil from skin may damage lamp.
 Do not operate the luminaire fitting with a missing or damaged shield.

SAVE THESE INSTRUCTIONS

IMPORTANT SAFETY INFORMATION - READ, FOLLOW, AND SAVE ALL SAFETY AND INSTALLATION INSTRUCTIONS

- Product must be installed by a qualified person in a manner consistent with its intended use and in compliance with the National Electrical Code, Canadian Electrical Code, and all Local and Provincial Codes.
- Follow product label information and instructions.
- Qualified Personnel must perform all servicing or relamping of this product.
- Before wiring to power supply and during servicing or relamping, turn off power at fuse or circuit breaker before service.
- The use of accessory equipment not recommended by the manufacturer or installed contrary to instructions may cause an unsafe condition. The use of damaged components may cause an unsafe condition and void product warranty.
- Do not block light emanating from product in whole or part, as this may cause an unsafe condition.
- Never operate the fixture with missing or damaged lens. Lens must be cleaned on regular basis.
- Entire fixture may become extremely hot. Do not touch hot lens or fixture body. Do not touch the lamp at any time. Use a clean, dry, soft cloth to handle the lamp. Oil from skin may damage the lamp and cause it to rupture.
- Replace lamp only with correct wattage and type of lamp marked on fixture label.
- All gaskets, o-rings and sealing surfaces must be kept clean during installation and service; failure to do this may cause an unsafe condition and void product warranty.

IMPORTANT LISTINGS AND CERTIFICATIONS

- Suitable for wet location
- Additionally suitable for mounting within 4 ft. of the ground
- Type Non-IC

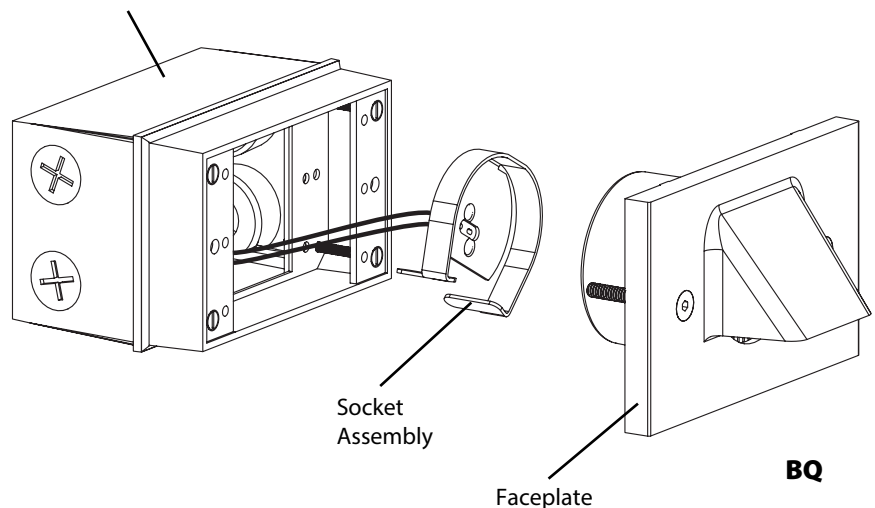
Please refer to the low voltage design guide at www.bklighting.com/lvguide before installation for proper wire selection.



IMPORTANT NOTE

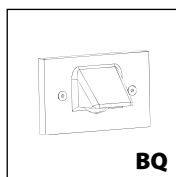
VQ and VQL mount in ceiling.
 Orientation of installed back box determines faceplate screw orientation.

Rectangular Junction Box (MB2) with Extension

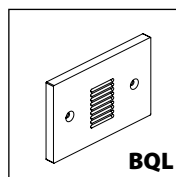


This set of instructions works for:

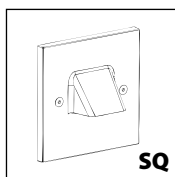
- BQ** - Brick Star™
- BQL** - Louvered Brick Star™
- SQ** - Square Step Star™
- SQL** - Louvered Square Step Star™
- VQ** - Square Versa Star™
- VQL** - Louvered Square Versa Star™



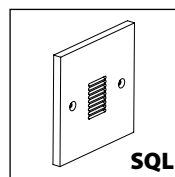
BQ



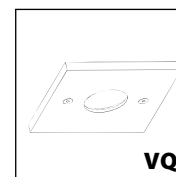
BQL



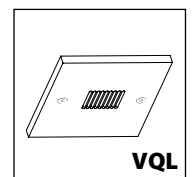
SQ



SQL



VQ



VQL

IMPORTANT SAFETY INFORMATION - READ, FOLLOW, AND SAVE THESE INSTALLATION INSTRUCTIONS

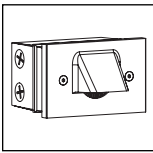
B-K LIGHTING

40429 Brickyard Drive • Madera, CA 93636 • USA
 559.438.5800 • FAX 559.438.5900
www.bklighting.com • info@bklighting.com

RELEASE DATE
 5-19-16

REFERENCE NUMBER
 INS-1455

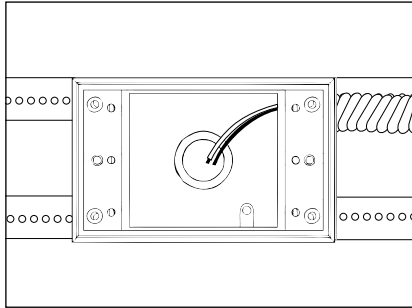
THIS DOCUMENT CONTAINS PROPRIETARY INFORMATION OF B-K LIGHTING, INC. AND ITS RECEIPT OR POSSESSION DOES NOT CONVEY ANY RIGHTS TO REPRODUCE, DISCLOSE ITS CONTENTS, OR TO MANUFACTURE, USE OR SELL ANYTHING IT MAY DESCRIBE. REPRODUCTION, DISCLOSURE OR USE WITHOUT SPECIFIC WRITTEN AUTHORIZATION OF B-K LIGHTING, INC. IS STRICTLY FORBIDDEN.



Installation Instructions

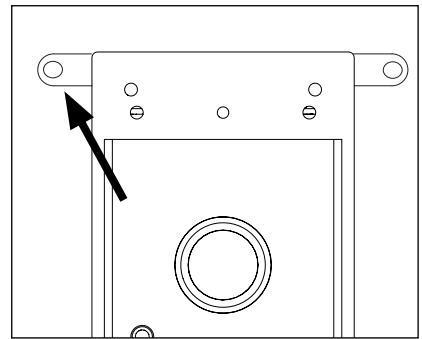
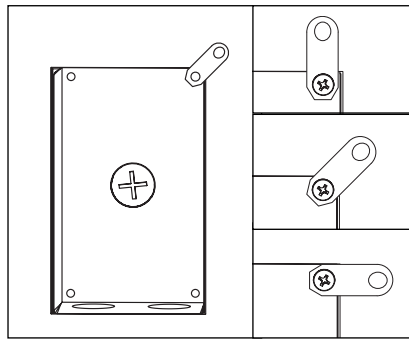
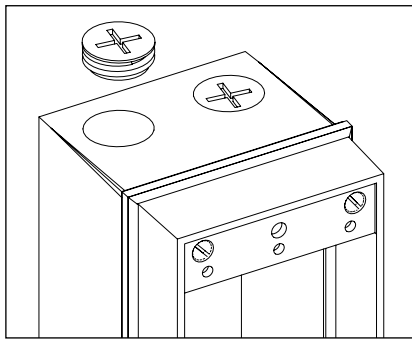
Phase 1 - Rough In

Installation of Back box



Additional Info

- Please follow National and Local electrical codes for your area.
- Suitable for through wire.
- Suitable for installation into combustible materials.
- Rated for 90° C.
- Orientation of installed back box determines faceplate screw orientation.



1. Remove canopy and/or fixture from MB2 housing. Ensure unused tapped holes are plugged to maintain seal. Plugs are provided.
2. Install Conduit (By Others) to be used with this product.

NOTE: Surface conduit is a common entrance for water if not properly sealed. Seal connector threads and conduit with a suitable sealant (Teflon tape, adhesive, etc.). Sealing the conduit after knockouts are removed is required to maintain warranty.

3. To prepare MB2 for mounting, align mounting brackets on back of box. Brackets can be aligned to vertical, horizontal or 45° orientation. Secure with mounting screw using screwdriver.

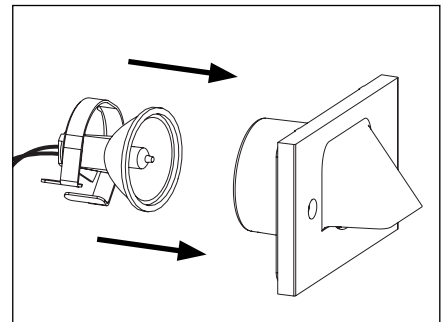
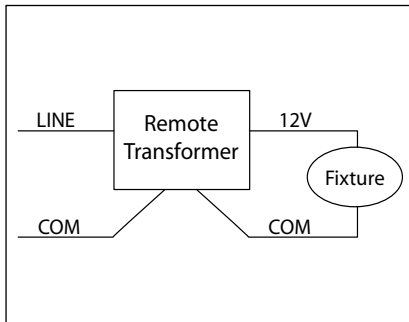
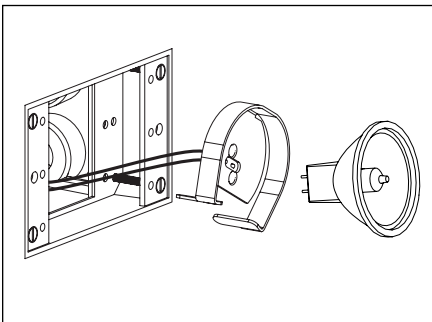
Install back box so that front face is flush with finished wall or ceiling. Make sure rectangular back box is plumb before proceeding.

4. Mount MB2 box to surface using mounting hardware (Provided) using the mounting brackets attached to back of MB2 box.

Alternative mounting methods may compromise integrity of MB2 against water intrusion and will void warranty.

5. Connect box to conduit and pull wires for connections (See Wiring diagram).

Phase 2 - Finish Installation of Fixture with Remote Transformer



1. Remove socket assembly from faceplate housing. Install lamp if needed. Do not exceed wattage on label.

WIRING DIAGRAM

Low Voltage - For use with 12VAC remote transformer.

2. Make watertight connections from remote transformer to lamp leads using waterproof wire connectors. (By Others) See wiring diagram.

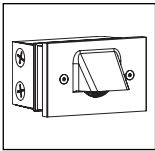
3. Re-insert socket assembly into faceplate.

**IMPORTANT SAFETY INFORMATION LISTED ON REVERSE
READ, FOLLOW, AND SAVE ALL SAFETY AND INSTALLATION INSTRUCTIONS**

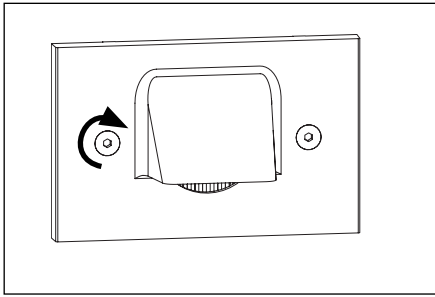


BACK BOX

Low Voltage Halogen



Installation Instructions



4. Mount faceplate using two (2) #10-24 screws with 1/8" Allen wrench. Tighten to compress gasket. Do not over tighten.

**IMPORTANT SAFETY INFORMATION LISTED ON REVERSE
READ, FOLLOW, AND SAVE ALL SAFETY AND INSTALLATION INSTRUCTIONS**



B-K LIGHTING

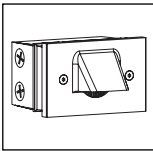
40429 Brickyard Drive • Madera, CA 93636 • USA
559.438.5800 • FAX 559.438.5900
www.bklighting.com • info@bklighting.com

RELEASE DATE
5-19-16

REFERENCE NUMBER
INS-1455

BACK BOX

Low Voltage Halogen - Adjustable Bracket



Installation Instructions



Warning



Low Voltage



Hot Surface

TOOLS NEEDED:	1/8" Allen Wrench
	Waterproof Wire Connectors
By Others	Phillips Screwdriver

INSTRUCTIONS PERTAINING TO A RISK OF FIRE, OR INJURY TO PERSONS IMPORTANT SAFETY INSTRUCTIONS

Lighted lamp is HOT!
WARNING - To reduce the risk of FIRE OR INJURY TO PERSONS: Turn off/unplug and allow to cool before replacing lamp. Lamp gets HOT quickly! Contact only switch/plug when turning on.

Do not touch hot lens, guard, or enclosure (see diagram/picture).

Keep lamp away from materials that may burn. Do no touch the lamp at any time. Use a soft cloth. Oil from skin may damage lamp.

Do not operate the luminaire fitting with a missing or damaged shield.

SAVE THESE INSTRUCTIONS

IMPORTANT SAFETY INFORMATION - READ, FOLLOW, AND SAVE ALL SAFETY AND INSTALLATION INSTRUCTIONS

- Product must be installed by a qualified person in a manner consistent with its intended use and in compliance with the National Electrical Code, Canadian Electrical Code, and all Local and Provincial Codes.
- Follow product label information and instructions.
- Qualified Personnel must perform all servicing or relamping of this product.
- Before wiring to power supply and during servicing or relamping, turn off power at fuse or circuit breaker before service.
- The use of accessory equipment not recommended by the manufacturer or installed contrary to instructions may cause an unsafe condition. The use of damaged components may cause an unsafe condition and void product warranty.
- Do not block light emanating from product in whole or part, as this may cause an unsafe condition.
- Never operate the fixture with missing or damaged lens. Lens must be cleaned on regular basis.
- Entire fixture may become extremely hot. Do not touch hot lens or fixture body. Do not touch the lamp at any time. Use a clean, dry, soft cloth to handle the lamp. Oil from skin may damage the lamp and cause it to rupture.
- Replace lamp only with correct wattage and type of lamp marked on fixture label.
- All gaskets, o-rings and sealing surfaces must be kept clean during installation and service; failure to do this may cause an unsafe condition and void product warranty.

IMPORTANT LISTINGS AND CERTIFICATIONS

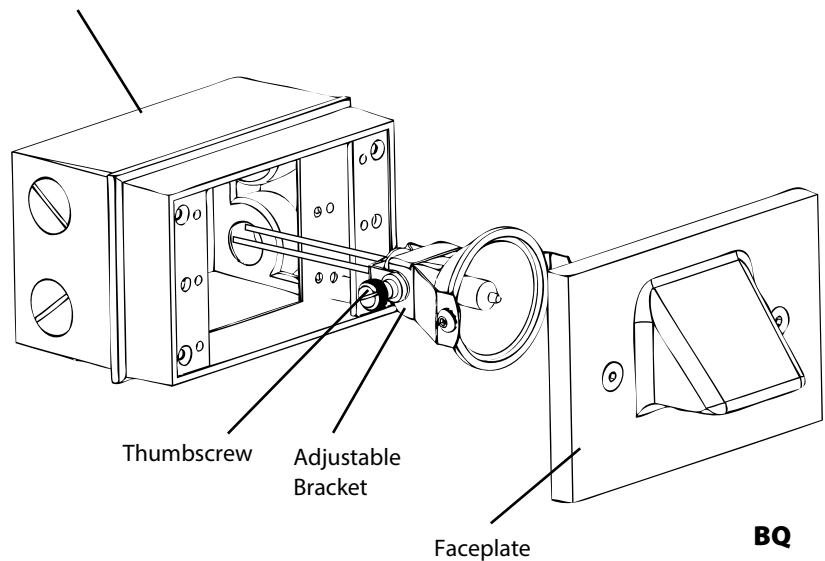
• Suitable for wet location • Additionally suitable for mounting within 4 ft. of the ground • Type Non-IC

Please refer to the low voltage design guide at www.bklighting.com/lvguide before installation for proper wire selection.

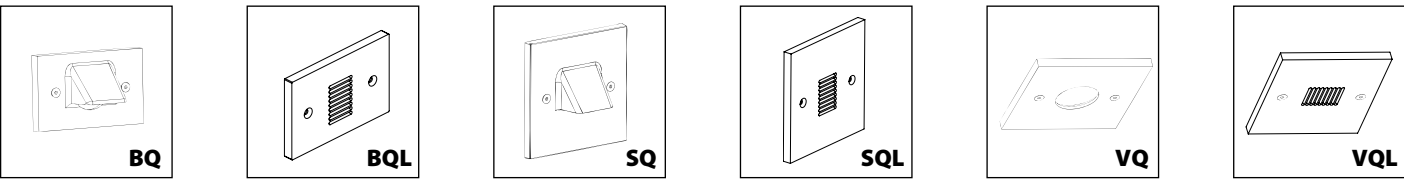
IMPORTANT NOTE

VQ and VQL mount in ceiling. Orientation of installed back box determines faceplate screw orientation.

Rectangular Back Box with Extension



- This set of instructions works for:**
- BQ** - Brick Star™
 - BQL** - Louvered Brick Star™
 - SQ** - Square Step Star™
 - SQL** - Louvered Square Step Star™
 - VQ** - Square Versa Star™
 - VQL** - Louvered Square Versa Star™



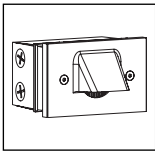
IMPORTANT SAFETY INFORMATION - READ, FOLLOW, AND SAVE THESE INSTALLATION INSTRUCTIONS

B-K LIGHTING	40429 Brickyard Drive • Madera, CA 93636 • USA 559.438.5800 • FAX 559.438.5900 www.bklighting.com • info@bklighting.com	RELEASE DATE 5-19-16	REFERENCE NUMBER INS-1455-AJ
---------------------	--	-------------------------	---------------------------------

THIS DOCUMENT CONTAINS PROPRIETARY INFORMATION OF B-K LIGHTING, INC. AND ITS RECEIPT OR POSSESSION DOES NOT CONVEY ANY RIGHTS TO REPRODUCE, DISCLOSE ITS CONTENTS, OR TO MANUFACTURE, USE OR SELL ANYTHING IT MAY DESCRIBE. REPRODUCTION, DISCLOSURE OR USE WITHOUT SPECIFIC WRITTEN AUTHORIZATION OF B-K LIGHTING, INC. IS STRICTLY FORBIDDEN.

BACK BOX

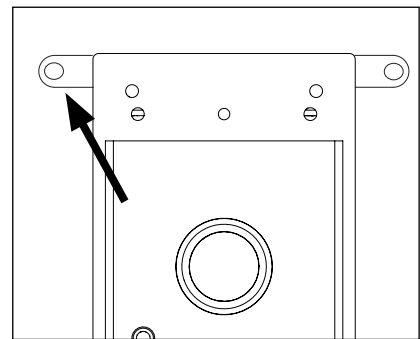
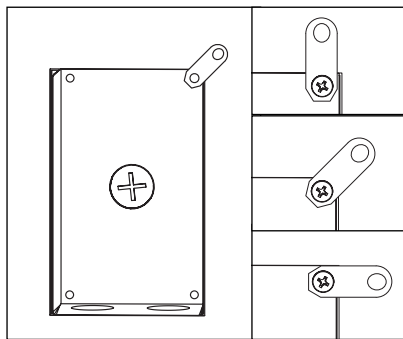
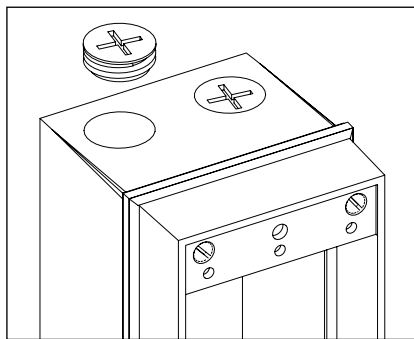
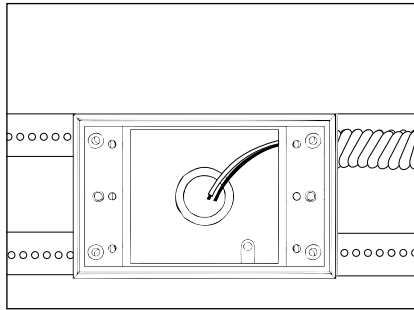
Low Voltage Halogen - Adjustable Bracket



Installation Instructions

Phase 1 - Rough In

Installation of Back box



1. Remove canopy and/or fixture from MB2 housing. Ensure unused tapped holes are plugged to maintain seal. Plugs are provided.
2. Install Conduit (By Others) to be used with this product.

NOTE: Surface conduit is a common entrance for water if not properly sealed. Seal connector threads and conduit with a suitable sealant (Teflon tape, adhesive, etc.). Sealing the conduit after knockouts are removed is required to maintain warranty.

3. To prepare MB2 for mounting, align mounting brackets on back of box. Brackets can be aligned to vertical, horizontal or 45° orientation. Secure with mounting screw using screwdriver.

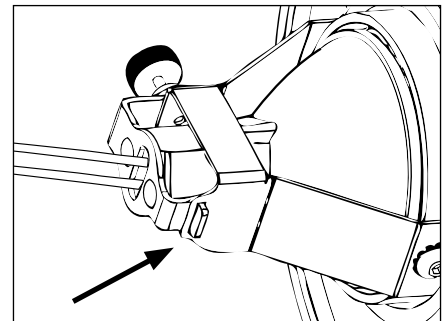
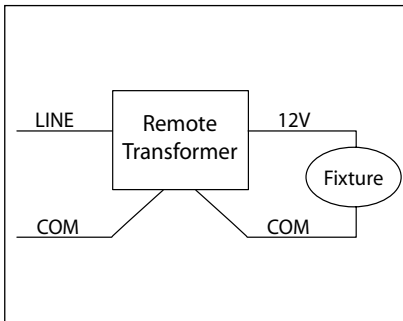
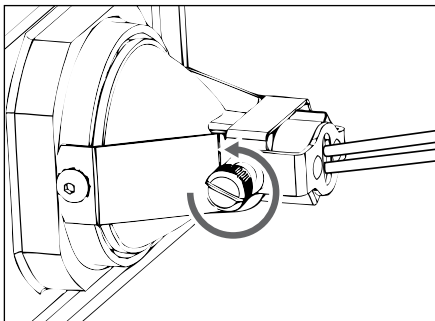
Install back box so that front face is flush with finished wall or ceiling. Make sure rectangular back box is plumb before proceeding.

4. Mount MB2 box to surface using mounting hardware (Provided) using the mounting brackets attached to back of MB2 box.

Alternative mounting methods may compromise integrity of MB2 against water intrusion and will void warranty.

5. Connect box to conduit and pull wires for connections (See Wiring diagram).

Phase 2 - Finish Installation of Fixture with Remote Transformer



1. To install lamp (if needed), remove socket assembly from faceplate housing by loosening thumbscrew. Do not exceed wattage on label.

WIRING DIAGRAM

Low Voltage - For use with 12VAC remote transformer.

2. Make watertight connections from remote transformer to lamp leads using waterproof wire connectors. (By Others) See wiring diagram.

3. Insert tab from socket into notch on adjustable lamp bracket, then tighten thumbscrew.

**IMPORTANT SAFETY INFORMATION LISTED ON REVERSE
READ, FOLLOW, AND SAVE ALL SAFETY AND INSTALLATION INSTRUCTIONS**

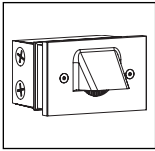


B-K LIGHTING

40429 Brickyard Drive • Madera, CA 93636 • USA
559.438.5800 • FAX 559.438.5900
www.bklighting.com • info@bklighting.com

RELEASE DATE
5-19-16

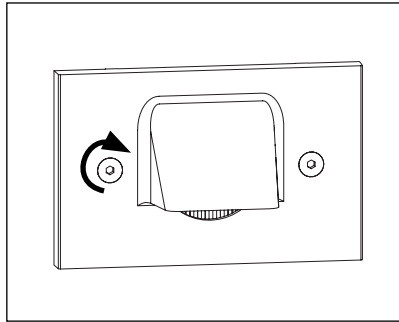
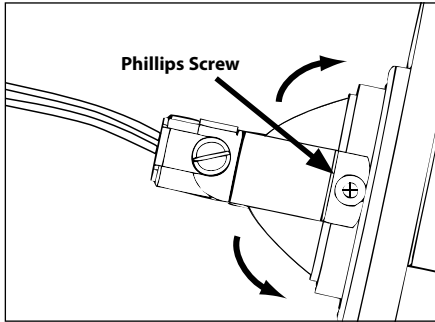
REFERENCE NUMBER
INS-1455-AJ



BACK BOX

Low Voltage Halogen - Adjustable Bracket

Installation Instructions



4. Loosen Phillips screws on adjustable lamp bracket and aim lamp to desired angle. When angle is set, tighten Phillips screw to lock in place.
5. Mount faceplate using two (2) #10-24 screws with 1/8" Allen wrench. Tighten to compress gasket. Do not over tighten.

**IMPORTANT SAFETY INFORMATION LISTED ON REVERSE
READ, FOLLOW, AND SAVE ALL SAFETY AND INSTALLATION INSTRUCTIONS**



B-K LIGHTING

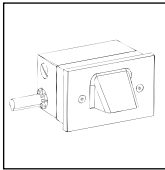
40429 Brickyard Drive • Madera, CA 93636 • USA
559.438.5800 • FAX 559.438.5900
www.bklighting.com • info@bklighting.com

RELEASE DATE
5-19-16

REFERENCE NUMBER
INS-1455-AJ

BACK BOX

Low Voltage Halogen - Thermal Protector



Installation Instructions



Warning



Low Voltage



Hot Surface

TOOLS NEEDED:



1/8" Allen Wrench

Waterproof Wire Connectors

By Others

INSTRUCTIONS PERTAINING TO A RISK OF FIRE, OR INJURY TO PERSONS IMPORTANT SAFETY INSTRUCTIONS

Lighted lamp is HOT!
WARNING - To reduce the risk of FIRE OR INJURY TO PERSONS:
 Turn off/unplug and allow to cool before replacing lamp. Lamp gets HOT quickly! Contact only switch/plug when turning on.
 Do not touch hot lens, guard, or enclosure (see diagram/picture).
 Keep lamp away from materials that may burn.
 Do not touch the lamp at any time. Use a soft cloth. Oil from skin may damage lamp.
 Do not operate the luminaire fitting with a missing or damaged shield.

SAVE THESE INSTRUCTIONS

IMPORTANT SAFETY INFORMATION - READ, FOLLOW, AND SAVE ALL SAFETY AND INSTALLATION INSTRUCTIONS

- Product must be installed by a qualified person in a manner consistent with its intended use and in compliance with the National Electrical Code, Canadian Electrical Code, and all Local and Provincial Codes.
- Follow product label information and instructions.
- Qualified Personnel must perform all servicing or relamping of this product.
- Before wiring to power supply and during servicing or relamping, turn off power at fuse or circuit breaker before service.
- The use of accessory equipment not recommended by the manufacturer or installed contrary to instructions may cause an unsafe condition. The use of damaged components may cause an unsafe condition and void product warranty.
- Do not block light emanating from product in whole or part, as this may cause an unsafe condition.
- Never operate the fixture with missing or damaged lens. Lens must be cleaned on regular basis.
- Entire fixture may become extremely hot. Do not touch hot lens or fixture body. Do not touch the lamp at any time. Use a clean, dry, soft cloth to handle the lamp. Oil from skin may damage the lamp and cause it to rupture.
- Replace lamp only with correct wattage and type of lamp marked on fixture label.
- All gaskets, o-rings and sealing surfaces must be kept clean during installation and service; failure to do this may cause an unsafe condition and void product warranty.

IMPORTANT LISTINGS AND CERTIFICATIONS

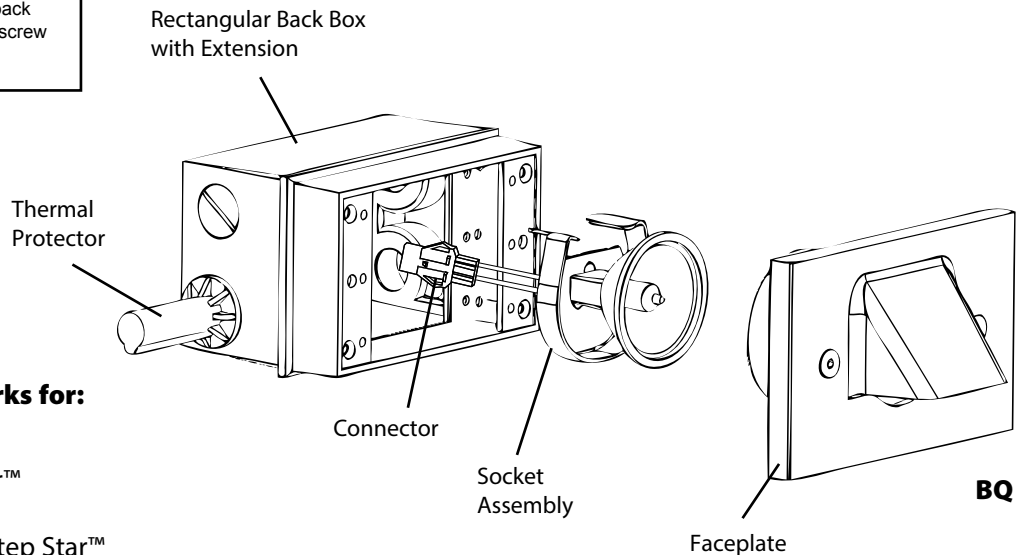
- Suitable for wet location
- Additionally suitable for mounting within 4 ft. of the ground
- Type Non-IC

Please refer to the low voltage design guide at www.bklighting.com/lvguide before installation for proper wire selection.



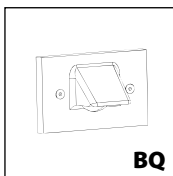
IMPORTANT NOTE

VQ and VQL mount in ceiling.
 Orientation of installed back box determines faceplate screw orientation.

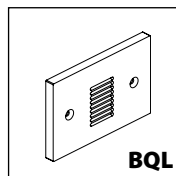


This set of instructions works for:

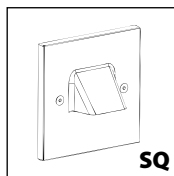
- BQ** - Brick Star™
- BQL** - Louvered Brick Star™
- SQ** - Square Step Star™
- SQL** - Louvered Square Step Star™
- VQ** - Square Versa Star™
- VQL** - Louvered Square Versa Star™



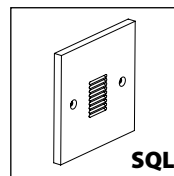
BQ



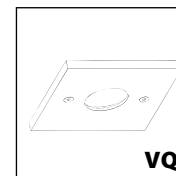
BQL



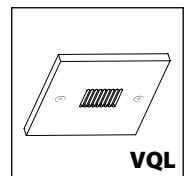
SQ



SQL



VQ



VQL

IMPORTANT SAFETY INFORMATION - READ, FOLLOW, AND SAVE THESE INSTALLATION INSTRUCTIONS

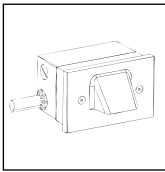
B-K LIGHTING

40429 Brickyard Drive • Madera, CA 93636 • USA
 559.438.5800 • FAX 559.438.5900
www.bklighting.com • info@bklighting.com

RELEASE DATE
 5-19-16

REFERENCE NUMBER
 INS-1455-TP

THIS DOCUMENT CONTAINS PROPRIETARY INFORMATION OF B-K LIGHTING, INC. AND ITS RECEIPT OR POSSESSION DOES NOT CONVEY ANY RIGHTS TO REPRODUCE, DISCLOSE ITS CONTENTS, OR TO MANUFACTURE, USE OR SELL ANYTHING IT MAY DESCRIBE. REPRODUCTION, DISCLOSURE OR USE WITHOUT SPECIFIC WRITTEN AUTHORIZATION OF B-K LIGHTING, INC. IS STRICTLY FORBIDDEN.



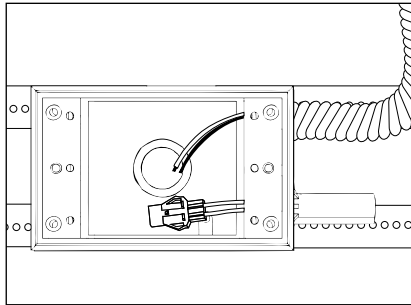
BACK BOX

Low Voltage Halogen - Thermal Protector

Installation Instructions

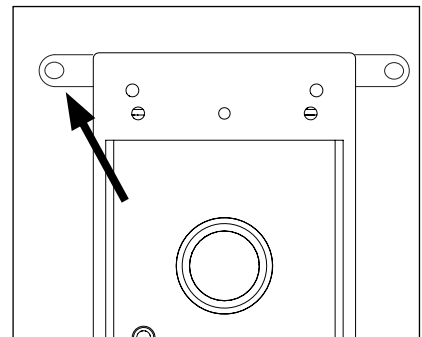
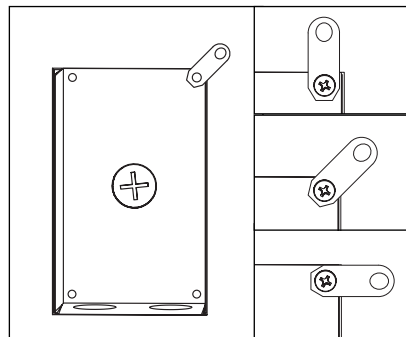
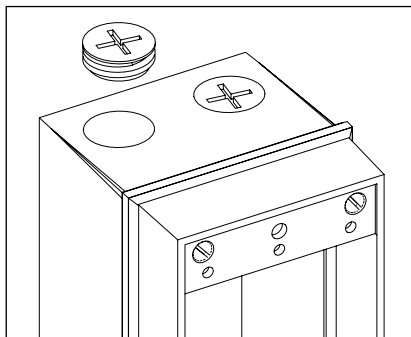
Phase 1 - Rough In

Installation of Back box



Additional Info

- Please follow National and Local electrical codes for your area.
- Suitable for through wire.
- Suitable for installation into combustible materials.
- Rated for 90° C.
- Orientation of installed back box determines faceplate screw orientation.



1. Remove canopy and/or fixture from MB2 housing. Ensure unused tapped holes are plugged to maintain seal. Plugs are provided.
2. Install Conduit (By Others) to be used with this product.

3. To prepare MB2 for mounting, align mounting brackets on back of box. Brackets can be aligned to vertical, horizontal or 45° orientation. Secure with mounting screw using screwdriver.

4. Mount MB2 box to surface using mounting hardware (Provided) using the mounting brackets attached to back of MB2 box.

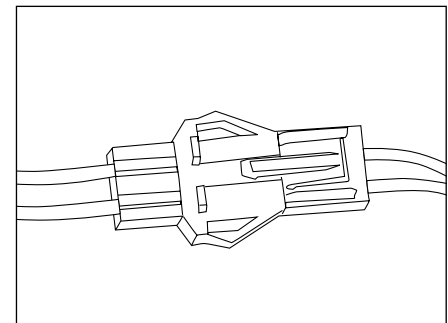
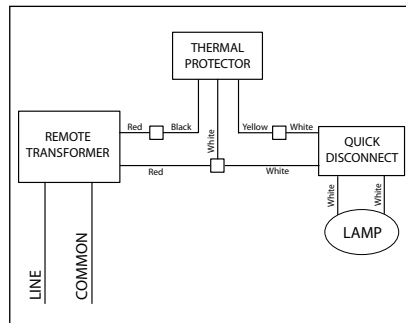
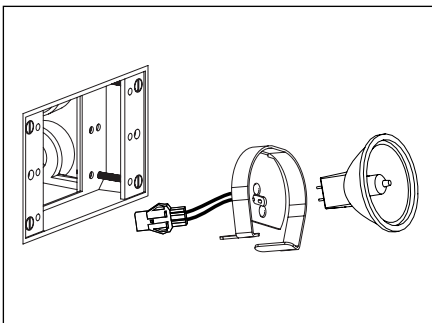
⚠ Alternative mounting methods may compromise integrity of MB2 against water intrusion and will void warranty.

⚠ NOTE: Surface conduit is a common entrance for water if not properly sealed. Seal connector threads and conduit with a suitable sealant (Teflon tape, adhesive, etc.). Sealing the conduit after knockouts are removed is required to maintain warranty.

Install back box so that front face is flush with finished wall or ceiling. Make sure rectangular back box is plumb before proceeding.

5. Connect box to conduit and pull wires for connections (See Wiring diagram).

Phase 2 - Finish Installation of Fixture with Remote Transformer



1. Remove socket assembly from faceplate housing. Install lamp if needed. Do not exceed wattage on label.

WIRING DIAGRAM

⚠ Low Voltage - For use with 12VAC remote transformer.

2. Make watertight connections from remote transformer to thermal protector using waterproof wire connectors. (By Others) See wiring diagram.

3. Connect quick disconnect from thermal protector to lamp leads.
4. Re-insert socket assembly into faceplate.

**IMPORTANT SAFETY INFORMATION LISTED ON REVERSE
READ, FOLLOW, AND SAVE ALL SAFETY AND INSTALLATION INSTRUCTIONS**



B-K LIGHTING

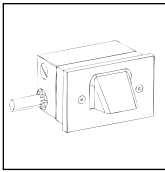
40429 Brickyard Drive • Madera, CA 93636 • USA
559.438.5800 • FAX 559.438.5900
www.bklighting.com • info@bklighting.com

RELEASE DATE
5-19-16

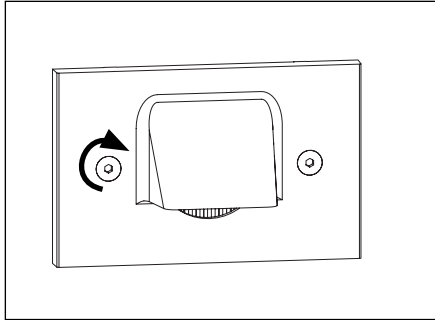
REFERENCE NUMBER
INS-1455-TP

BACK BOX

Low Voltage Halogen - Thermal Protector



Installation Instructions



5. Mount faceplate using two (2) #10-24 screws with 1/8" Allen wrench. Tighten to compress gasket. Do not over tighten.

**IMPORTANT SAFETY INFORMATION LISTED ON REVERSE
READ, FOLLOW, AND SAVE ALL SAFETY AND INSTALLATION INSTRUCTIONS**



B-K LIGHTING

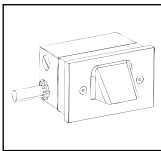
40429 Brickyard Drive • Madera, CA 93636 • USA
559.438.5800 • FAX 559.438.5900
www.bklighting.com • info@bklighting.com

RELEASE DATE
5-19-16

REFERENCE NUMBER
INS-1455-TP

BACK BOX

Low Voltage Halogen - Adjustable Bracket and Thermal Protector



Installation Instructions



Warning



Low Voltage



Hot Surface

TOOLS NEEDED:



1/8" Allen Wrench

Waterproof Wire Connectors

Phillips Screwdriver

By Others

INSTRUCTIONS PERTAINING TO A RISK OF FIRE, OR INJURY TO PERSONS IMPORTANT SAFETY INSTRUCTIONS

Lighted lamp is HOT!
WARNING - To reduce the risk of FIRE OR INJURY TO PERSONS:
 Turn off/unplug and allow to cool before replacing lamp.
 Lamp gets HOT quickly! Contact only switch/plug when turning on.
 Do not touch hot lens, guard, or enclosure (see diagram/picture).
 Keep lamp away from materials that may burn.
 Do no touch the lamp at any time. Use a soft cloth. Oil from skin may damage lamp.
 Do not operate the luminaire fitting with a missing or damaged shield.

SAVE THESE INSTRUCTIONS

IMPORTANT SAFETY INFORMATION - READ, FOLLOW, AND SAVE ALL SAFETY AND INSTALLATION INSTRUCTIONS

- Product must be installed by a qualified person in a manner consistent with its intended use and in compliance with the National Electrical Code, Canadian Electrical Code, and all Local and Provincial Codes.
- Follow product label information and instructions.
- Qualified Personnel must perform all servicing or relamping of this product.
- Before wiring to power supply and during servicing or relamping, turn off power at fuse or circuit breaker before service.
- The use of accessory equipment not recommended by the manufacturer or installed contrary to instructions may cause an unsafe condition. The use of damaged components may cause an unsafe condition and void product warranty.
- Do not block light emanating from product in whole or part, as this may cause an unsafe condition.
- Never operate the fixture with missing or damaged lens. Lens must be cleaned on regular basis.
- Entire fixture may become extremely hot. Do not touch hot lens or fixture body. Do not touch the lamp at any time. Use a clean, dry, soft cloth to handle the lamp. Oil from skin may damage the lamp and cause it to rupture.
- Replace lamp only with correct wattage and type of lamp marked on fixture label.
- All gaskets, o-rings and sealing surfaces must be kept clean during installation and service; failure to do this may cause an unsafe condition and void product warranty.

IMPORTANT LISTINGS AND CERTIFICATIONS

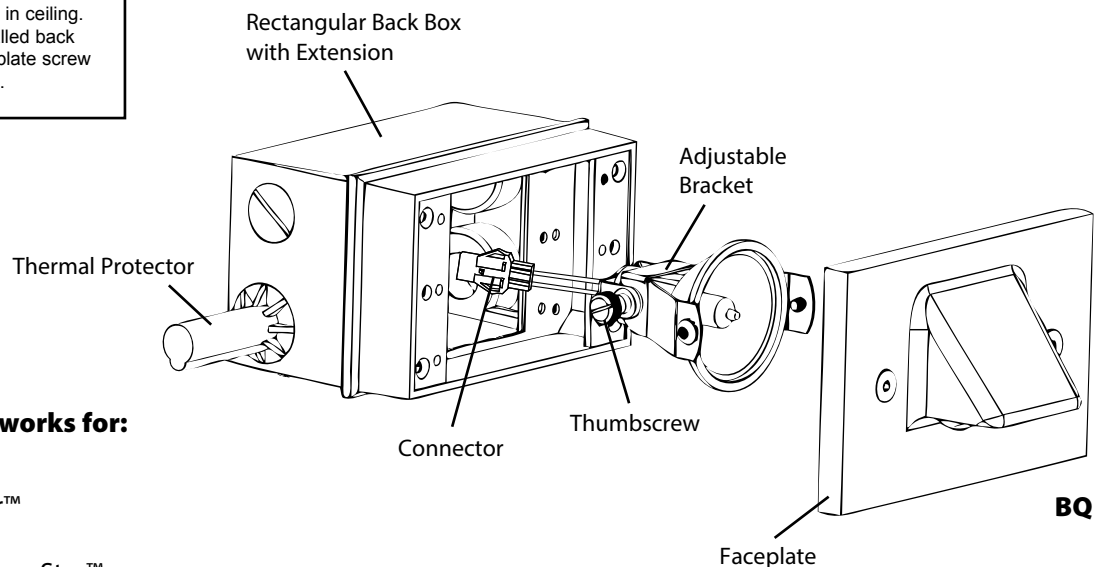
- Suitable for wet location
- Additionally suitable for mounting within 4 ft. of the ground
- Type Non-IC

Please refer to the low voltage design guide at www.bklighting.com/lvguide before installation for proper wire selection.



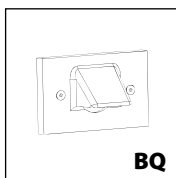
IMPORTANT NOTE

VQ and VQL mount in ceiling.
 Orientation of installed back box determines faceplate screw orientation.

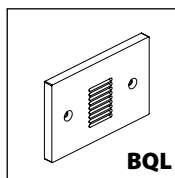


This set of instructions works for:

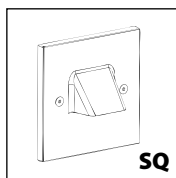
- BQ** - Brick Star™
- BQL** - Louvered Brick Star™
- SQ** - Square Step Star™
- SQL** - Louvered Square Step Star™
- VQ** - Square Versa Star™
- VQL** - Louvered Square Versa Star™



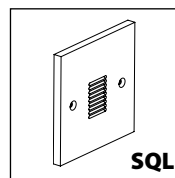
BQ



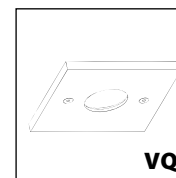
BQL



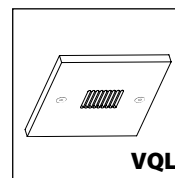
SQ



SQL



VQ



VQL

IMPORTANT SAFETY INFORMATION - READ, FOLLOW, AND SAVE THESE INSTALLATION INSTRUCTIONS

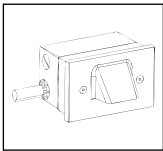
B-K LIGHTING

40429 Brickyard Drive • Madera, CA 93636 • USA
 559.438.5800 • FAX 559.438.5900
www.bklighting.com • info@bklighting.com

RELEASE DATE
 5-19-16

REFERENCE NUMBER
 INS-1455-AJ-TP

THIS DOCUMENT CONTAINS PROPRIETARY INFORMATION OF B-K LIGHTING, INC. AND ITS RECEIPT OR POSSESSION DOES NOT CONVEY ANY RIGHTS TO REPRODUCE, DISCLOSE ITS CONTENTS, OR TO MANUFACTURE, USE OR SELL ANYTHING IT MAY DESCRIBE. REPRODUCTION, DISCLOSURE OR USE WITHOUT SPECIFIC WRITTEN AUTHORIZATION OF B-K LIGHTING, INC. IS STRICTLY FORBIDDEN.



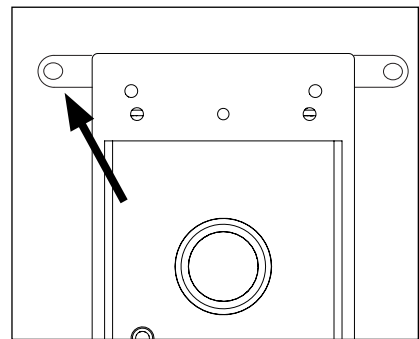
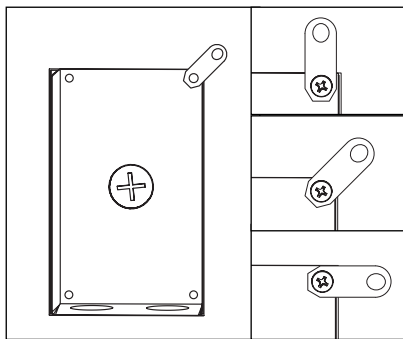
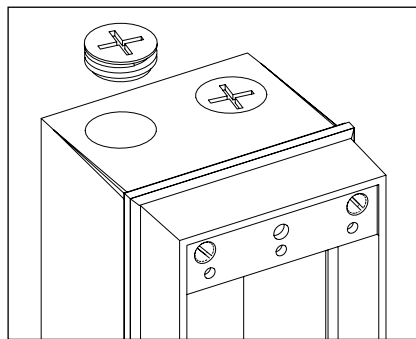
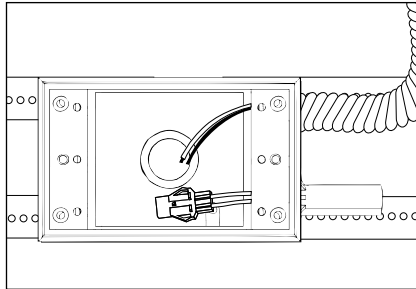
BACK BOX

Low Voltage Halogen - Adjustable Bracket and Thermal Protector

Installation Instructions

Phase 1 - Rough In

Installation of Back box



1. Remove canopy and/or fixture from MB2 housing. Ensure unused tapped holes are plugged to maintain seal. Plugs are provided.
2. Install Conduit (By Others) to be used with this product.

NOTE: Surface conduit is a common entrance for water if not properly sealed. Seal connector threads and conduit with a suitable sealant (Teflon tape, adhesive, etc.). Sealing the conduit after knockouts are removed is required to maintain warranty.

3. To prepare MB2 for mounting, align mounting brackets on back of box. Brackets can be aligned to vertical, horizontal or 45° orientation. Secure with mounting screw using screwdriver.

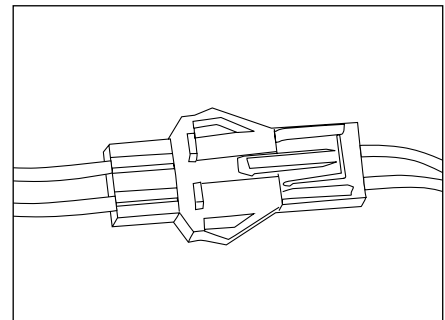
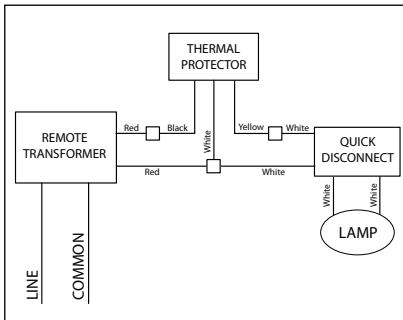
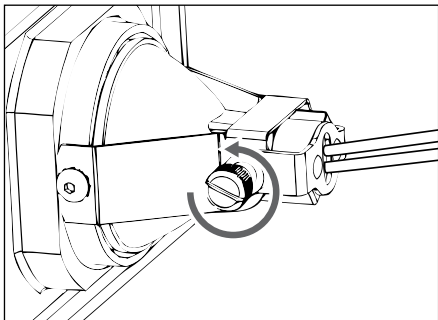
Install back box so that front face is flush with finished wall or ceiling. Make sure rectangular back box is plumb before proceeding.

4. Mount MB2 box to surface using mounting hardware (Provided) using the mounting brackets attached to back of MB2 box.

Alternative mounting methods may compromise integrity of MB2 against water intrusion and will void warranty.

5. Connect box to conduit and pull wires for connections (See Wiring diagram).

Phase 2 - Finish Installation of Fixture with Remote Transformer



1. To install lamp (if needed), remove socket assembly from faceplate housing by loosening thumbscrew. Do not exceed wattage on label.

WIRING DIAGRAM

Low Voltage - For use with 12VAC remote transformer.

2. Make watertight connections from remote transformer to thermal protector using waterproof wire connectors. (By Others) See wiring diagram.

3. Connect quick disconnect from thermal protector to lamp leads.

**IMPORTANT SAFETY INFORMATION LISTED ON REVERSE
READ, FOLLOW, AND SAVE ALL SAFETY AND INSTALLATION INSTRUCTIONS**

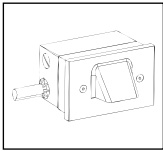


B-K LIGHTING

40429 Brickyard Drive • Madera, CA 93636 • USA
559.438.5800 • FAX 559.438.5900
www.bklighting.com • info@bklighting.com

RELEASE DATE
5-19-16

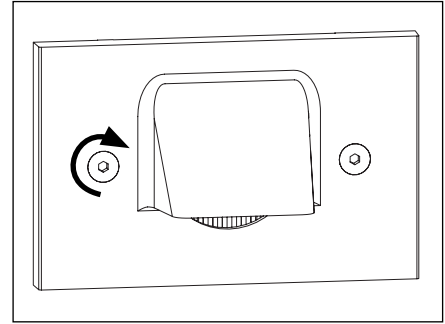
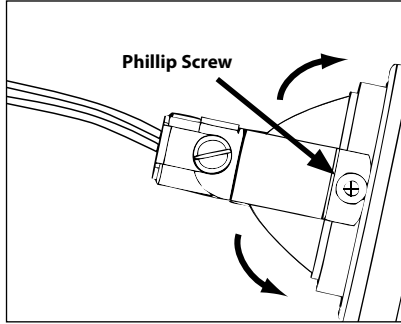
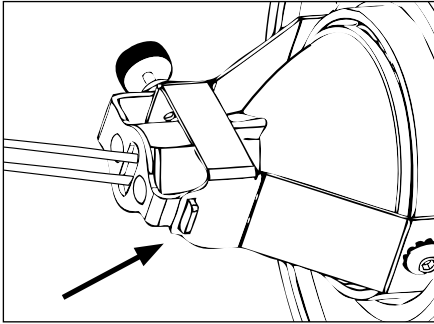
REFERENCE NUMBER
INS-1455-AJ-TP



BACK BOX

Low Voltage Halogen - Adjustable Bracket and Thermal Protector

Installation Instructions



4. Insert tab from socket into notch on adjustable lamp bracket, then tighten thumbscrew.
5. Loosen Phillip screws on adjustable lamp bracket and aim lamp to desired angle. When angle is set, tighten Phillip screw to lock in place.
6. Re-insert socket assembly into faceplate.
7. Mount faceplate using two (2) #10-24 screws with 1/8" Allen wrench. Tighten evenly to compress gasket. Do not over tighten.

**IMPORTANT SAFETY INFORMATION LISTED ON REVERSE
READ, FOLLOW, AND SAVE ALL SAFETY AND INSTALLATION INSTRUCTIONS**



B-K LIGHTING

40429 Brickyard Drive • Madera, CA 93636 • USA
559.438.5800 • FAX 559.438.5900
www.bklighting.com • info@bklighting.com

RELEASE DATE
5-19-16

REFERENCE NUMBER
INS-1455-AJ-TP