

## Standard Installation



Warning



Hot Surface

NEEDED  
FOR  
INSTALLATION:

- 5/32" and 5/64" Allen Wrench
- Waterproof Wire Connectors
- Mallet or Sledge Hammer

By Others

### INSTRUCTIONS PERTAINING TO A RISK OF FIRE, OR INJURY TO PERSONS IMPORTANT SAFETY INSTRUCTIONS

Lighted lamp is HOT!  
WARNING - To reduce the risk of FIRE OR INJURY TO PERSONS:  
Turn off/unplug and allow to cool before replacing lamp.  
Lamp gets HOT quickly! Contact only switch/plug when turning on.  
Do not touch hot lens, guard, or enclosure (see diagram/picture).  
Keep lamp away from materials that may burn.  
Do not touch the lamp at any time. Use a soft cloth. Oil from skin may damage lamp.  
Do not operate the luminaire fitting with a missing or damaged shield.

SAVE THESE INSTRUCTIONS

### IMPORTANT SAFETY INFORMATION - READ, FOLLOW, AND SAVE ALL SAFETY AND INSTALLATION INSTRUCTIONS

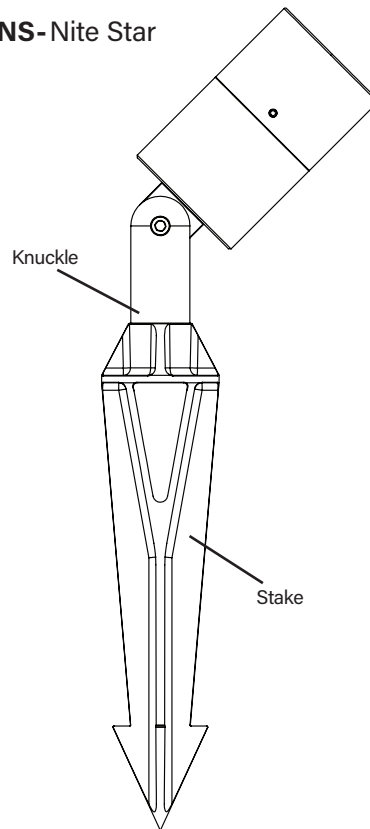
- Product must be installed by a qualified person in a manner consistent with its intended use and in compliance with the National Electrical Code, Canadian Electrical Code, and all Local and Provincial Codes.
- Follow product label information and instructions.
- Qualified Personnel must perform all servicing or relamping of this product.
- Before wiring to power supply and during servicing or relamping, turn off power at fuse or circuit breaker before service.
- The use of accessory equipment not recommended by the manufacturer or installed contrary to instructions may cause an unsafe condition. The use of damaged components may cause an unsafe condition and void product warranty.
- Do not block light emanating from product in whole or part, as this may cause an unsafe condition.
- Never operate the fixture with missing or damaged lens. Lens must be cleaned on regular basis.
- Entire fixture may become extremely hot. Do not touch hot lens or fixture body. Do not touch the lamp at any time. Use a clean, dry, soft cloth to handle the lamp. Oil from skin may damage the lamp and cause it to rupture.
- Replace lamp only with correct wattage and type of lamp marked on fixture label.
- All gaskets, o-rings and sealing surfaces must be kept clean during installation and service; failure to do this may cause an unsafe condition and void product warranty.

### IMPORTANT LISTINGS AND CERTIFICATIONS

- Suitable for wet locations • Additionally suitable for mounting within 4 ft. of the ground

Please refer to the low voltage design guide at [www.bklighting.com/lvguide](http://www.bklighting.com/lvguide) before installation for proper wire selection.

NS-Nite Star



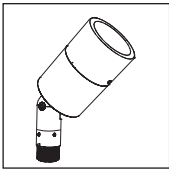
### IMPORTANT SAFETY INFORMATION - READ, FOLLOW, AND SAVE THESE INSTALLATION INSTRUCTIONS

**B-K LIGHTING**

40429 Brickyard Drive • Madera, CA 93636 • USA  
559.438.5800 • FAX 559.438.5900  
[www.bklighting.com](http://www.bklighting.com) • [info@bklighting.com](mailto:info@bklighting.com)

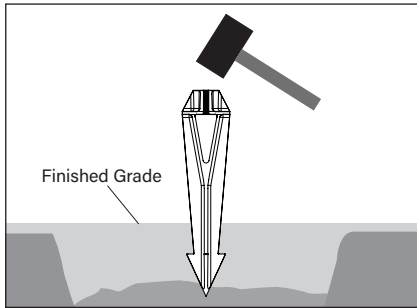
RELEASE DATE  
01/20/2021

REFERENCE NUMBER  
INS000929.2

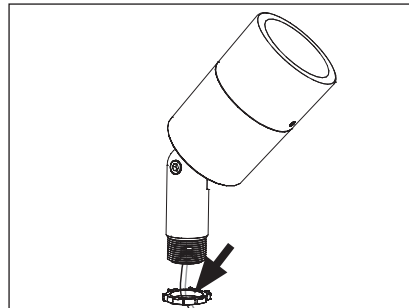


## Standard Installation

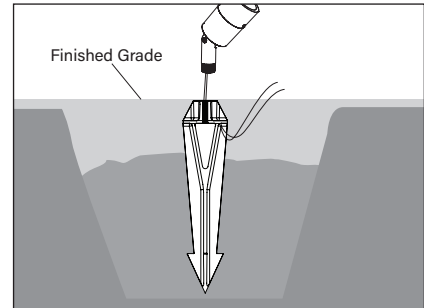
### Fixture Installation with Stake



1. Drive the stake into the ground with a mallet or a small sledge hammer (by others). Make sure the top is flush with the finished grade.

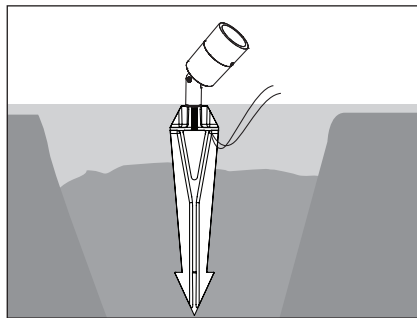


2. Remove the locknut from the fixture, leave the o-ring on the threads.

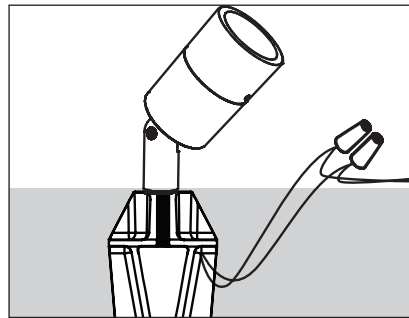


3. Pull the fixture wire cable through the stake's center where the hole is located. Slice moved the fixture wire from under the stake to the side to make a connection with the low voltage direct burial cable (by others).

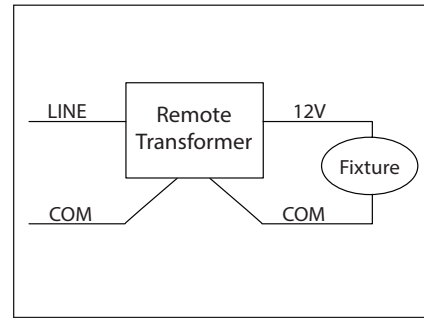
**⚠ Ground wire connections is based off of local code requirements.**



4. Attach the fixture to the threads on the stake. Make sure the stake is secured in the ground.

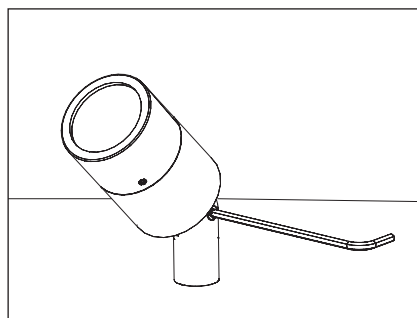


5. Make watertight connections from remote transformer to fixture leads using waterproof wire connectors (by others). **See wiring diagram.**



#### WIRING DIAGRAM

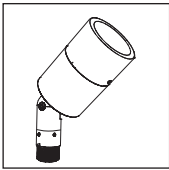
**⚠ For use with 12VAC remote transformer.**



6. Use a 5/32" allen wrench to slightly loosen #10-32 stainless steel black oxide socket head cap screw at the knuckle for aiming purposes. Tighten to secure desired location.

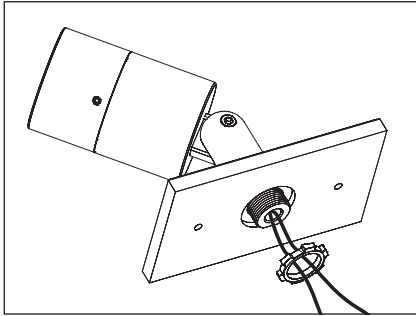
**IMPORTANT SAFETY INFORMATION LISTED ON REVERSE  
READ, FOLLOW, AND SAVE ALL SAFETY AND INSTALLATION  
INSTRUCTIONS**



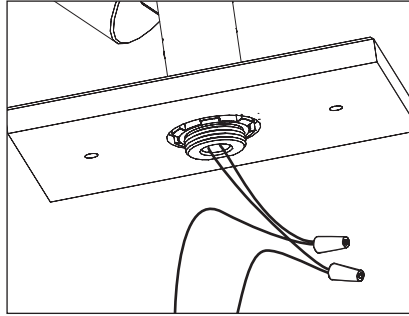


## Standard Installation

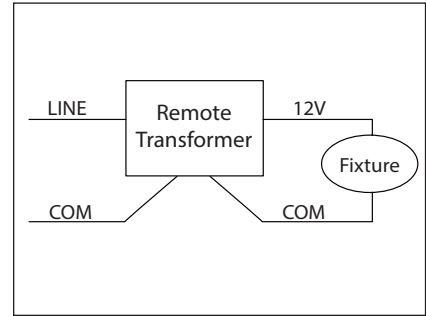
### Fixture Installation with Standard Knuckle



1. Mount knuckle onto suitable enclosure according to designed lighting plan.
2. Secure 1/2" NPS stem to mounting option. Secure with provided locknut if applicable.

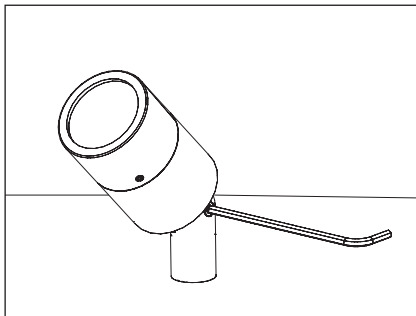


3. Make watertight connections from remote transformer to lamp leads using waterproof wire connectors (by others). **See wiring diagram.**



#### WIRING DIAGRAM

**!** For use with 12VAC remote transformer.



4. Use a 5/32" allen wrench to slightly loosen #10-32 stainless steel black oxide socket head cap screw at the knuckle for aiming purposes. Tighten to secure desired location.

**IMPORTANT SAFETY INFORMATION LISTED ON REVERSE  
READ, FOLLOW, AND SAVE ALL SAFETY AND INSTALLATION  
INSTRUCTIONS**



**B-K LIGHTING**

40429 Brickyard Drive • Madera, CA 93636 • USA  
559.438.5800 • FAX 559.438.5900  
www.bklighting.com • info@bklighting.com

RELEASE DATE  
01/20/2021

REFERENCE NUMBER  
INS000929.2