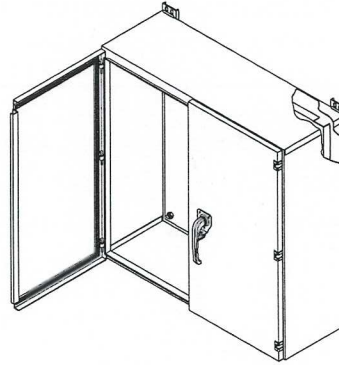
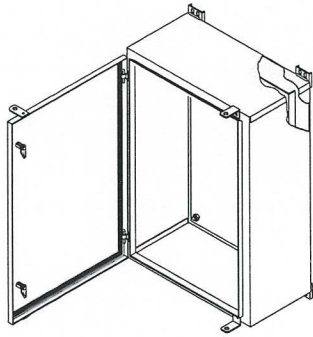




# AMC Series

# EEMAC / NEMA 3R Metering Cabinets



### TECHNICAL READOUT

Catalog No.	Dimensions (box)			Panel		Weight lbs
	A	B	C	D	E	
<b>SINGLE DOOR</b>						
AMC271310	27	13	10	24 x 10		36.5
AMC202010	20	20	10	17 x 17		40
AMC302010	30	20	10	27 x 17		67
<b>DOUBLE DOOR</b>						
AMC303010	30	30	10	27 x 27		90
AMC363612	36	36	12	33 x 33		129
AMC484812	48	48	12	45 x 45		208

#### Application:

Type 3R enclosure designed for indoor/out-door housing of metering transformers.

#### Construction:

- 16 or 14 steel gauge
- Tack welded construction
- Neoprene gasketed doors
- Single door held closed by 1/4 turn latch
- Padlock hasp
- Removable mounting panel
- Three point lock on double door enclosure, with vault handle
- Nylon rollers on latch rods (double door only)
- ANSI/ASA61 grey polyester textured powder coating inside out

#### Also Available:

- Aluminium, stainless steel or galvanized steel
- Cut-outs, louvers, hubs, windows
- Special finishes & sizes

#### Standards:

- CSA certified 150359

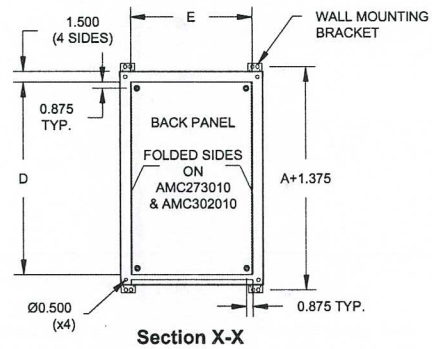
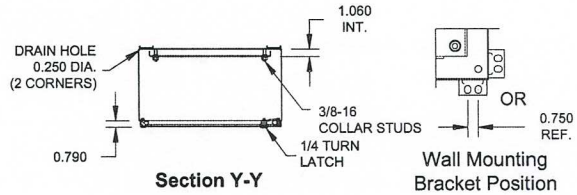
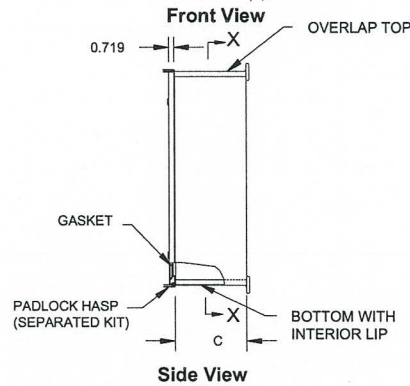
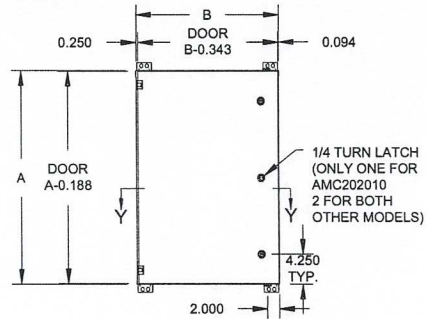




# AMC Series

# EEMAC / NEMA 3R Metering Cabinets

## Single Door



## Double Door

