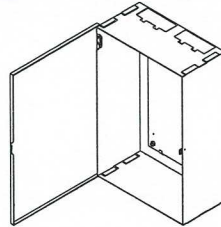
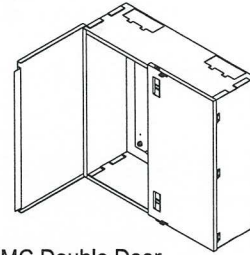


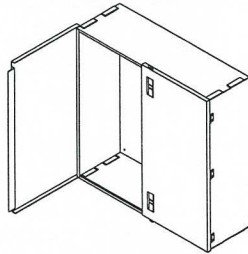
C-UG Single Door



MC Single Door



MC Double Door



C-UG Double Door

TECHNICAL READOUT

Catalog No.	Dimensions (box)			Panel		Weight lbs
	A	B	C	F	G	
SINGLE DOOR						
MC271310*	27	13	10	23 x 9		32
MC202010	20	20	10	16 x 16		38
MC302010	30	20	10	26 x 16		51

* No meter plates

DOUBLE DOOR

MC303010	30	30	10	26 x 26		71
MC363612	36	36	12	32 x 32		121
MC484812	48	48	12	44 x 44		200

TECHNICAL READOUT

Catalog No.	Dimensions (box)			Weight lbs
	A	B	C	
SINGLE DOOR				
C202010 UG	20	20	10	32
DOUBLE DOOR				
C303010 UG	30	30	10	70
C363612 UG	36	36	12	92
C484812 UG	48	48	12	182

MC

Application:

Type 1 enclosure designed for indoor housing of metering transformers.

Construction:

- 16 or 14 steel gauge
- Hinged door
- Retractable sealing hasp
- Removable mounting panel
- Grounding hole on mounting panel with grounding screw
- ANSI/ASA61 grey polyester textured powder coating inside out

Also Available:

- Special finishes & sizes

Standards:

- CSA certified 150359

C-UG

Application:

Type 1 enclosure designed for indoor housing of metering transformers for underground installation.

Construction:

- 16 or 14 steel gauge
- Hinged door
- Sliding padlocking hasp (developed by **BEL**; Hydro Quebec & Hydro Ontario approved) on double door models
- ANSI/ASA61 grey polyester textured powder coating inside out

Also Available:

- Special finishes & sizes

Standards:

- CSA certified 150359

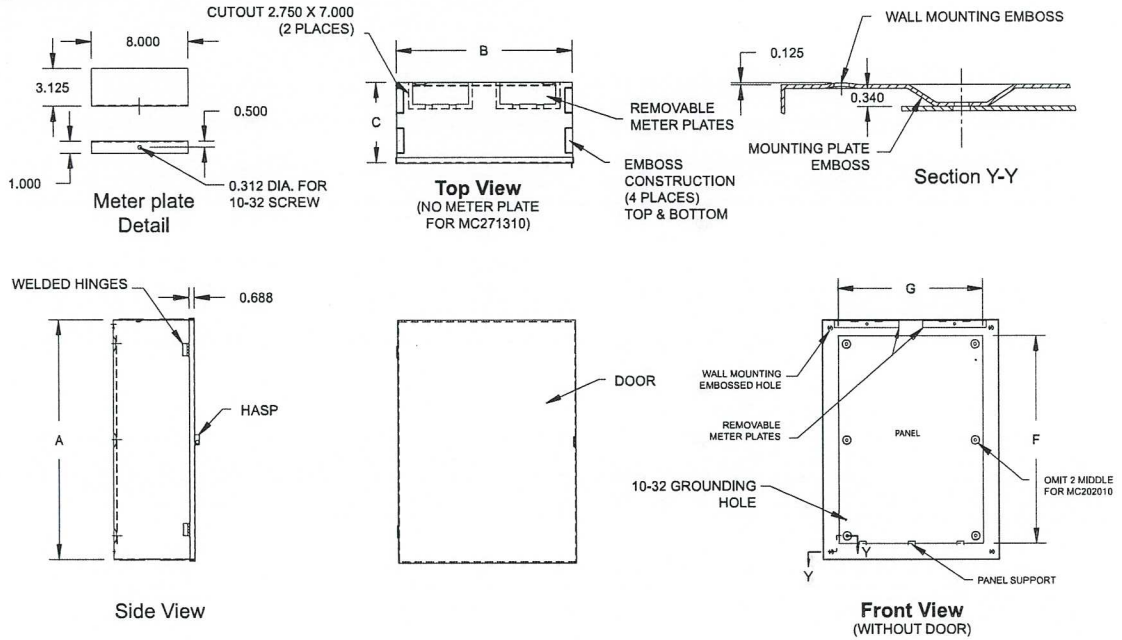




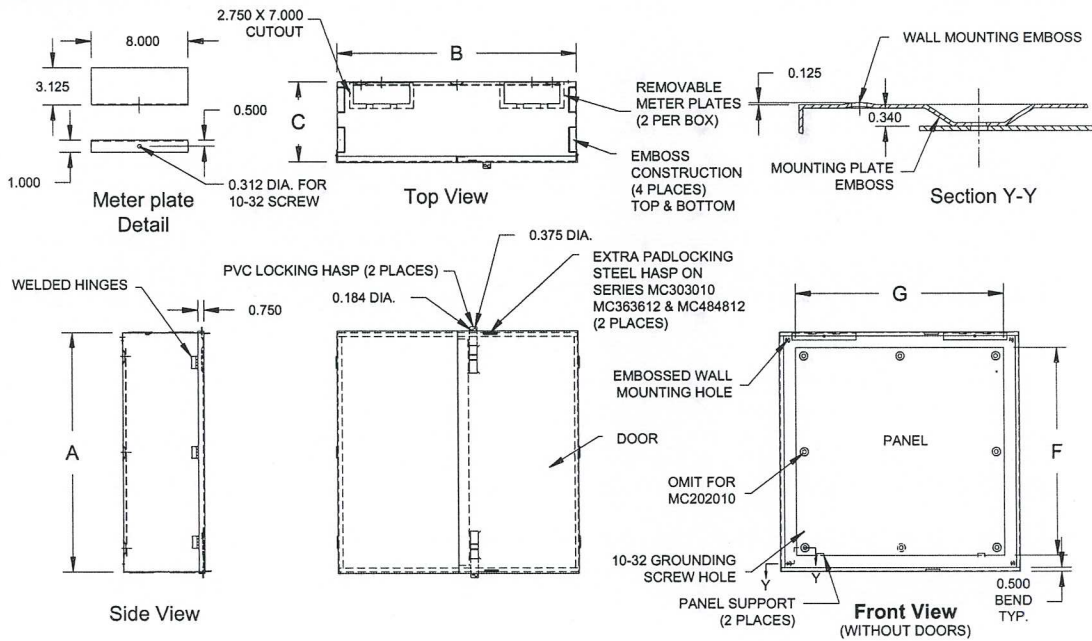
MC Series

EEMAC / NEMA 1 Metering Cabinets

Single Door



Double Door





TECHNICAL READOUT

Catalog No.	Box Size		Panel Size		Weight lbs.
	Height	Width	Height	Width	
AKP2016	20	x 16	19.85	x 15.85	8
AKP2020	20	x 20	19.85	x 19.85	10
AKP2420	24	x 20	23.85	x 19.85	13
AKP2424	24	x 24	22	x 22	15
AKP3020	30	x 20	28	x 18	16
AKP3024	30	x 24	28	x 22	19
AKP3624	36	x 24	34	x 22	23
AKP3630	36	x 30	34	x 28	29
AKP4224	42	x 24	40	x 22	27
AKP4230	42	x 30	40	x 28	35
AKP4236	42	x 36	40	x 34	42
AKP4836	48	x 36	46	x 34	47

AKP SERIES

Spare inner panels for all K enclosures

- Made from 14 and 12 gauge galvanized steel depending on sizes
- Galvanized natural finish (unpainted)

TECHNICAL READOUT

Catalog No.	Box Size		Panel Size		Weight lbs.
	Height	Width	Height	Width	
AMCP2713	27	x 13	23	x 9	6
AMCP2020	20	x 20	16	x 16	7
AMCP3020	30	x 20	26	x 16	11
AMCP3030	30	x 30	26	x 26	18
AMCP3636	36	x 36	32	x 32	31
AMCP4848	48	x 48	44	x 44	46

AMCP SERIES

Spare inner panels for all MC enclosures

- Made from 16 and 14 gauge steel
- ANSI/ASA61 grey polyester textured powder coating inside out
- Supplied with on grounding screw

