

CAL COMPACT AREA LIGHT

PROJECT: _____

SCHEDULE: _____ DATE: _____

PREPARE BY: _____

NOTES: _____

DESCRIPTION

naturaLED® Compact Area Light is constructed with a durable, die-cast aluminum housing and excellent thermal design and is the perfect lighting solution for your parking lot, street, walkway, building flood up/down light and/or as a sign lighter. It provides uniform, consistent color with a wide range of wattage selections to replace up to 1500W HID fixtures. Our fixtures are DLC Premium certified and IP65 rated with three types of mounting options available: Pole Mount, Slip Fitter, and Yoke Mount. Compatible with photocell sensors, receptacle, and IR motion sensor are available as optional accessories to address your needs.



Rated Life 50,000 Hours
Warranty 5 Years







APPLICATIONS

Parking Lot, Street, Site, Streetscape, Area Lighting

FEATURES

- DLC Premium
- IP65 Rated
- Select binning for color consistency
- Uniform and consistent color
- Minimize Glare
- Type 3 Light Distribution
- Material: Die Cast Aluminum
- Lens: UV resistant polycarbonate lens
- Input line voltage: 120-277V / 120-347V / 277-480V
- Dimmable: 1-10V (120-277V) / 0-10V (120-347V, 277-480V)
- Power factor: >0.9
- IK Rating: IK09
- Surge Protection: 6KV
- CRI: 80
- Color Temp: 4000K, 5000K
- Operating temperature: -40°F - 113°F
- Finish: Black or Bronze

ACCESSORIES

-  Mounting Arms
-  Shorting Cap
-  Photocell
-  Receptacle
-  Sensors
-  Grouping/Zoning Sensor Kit

SAMPLE NUMBER FXCAL150/840/BZ/3S/480

| FAMILY | SERIES | WATTAGE | CRI/COLOR TEMP | COLOR | TYPE | VOLTAGE |
|---------------|------------------------------|-------------|------------------------|--------------|-------------|-------------|
| FX fixture | CAL compact area light | 150 150W | 840 CRI 80 4000K | BZ bronze | 3S type3 | 480 480V |



COMPACT AREA LIGHT

WALL & AREA LUMINAIRES

ORDERING

*P= Premium DLC / *S = Standard DLC

| Watts (W) | Ordering Code | Description | CCT (K) | Lumens (Lm) | Equiv. Wattage (W) | Voltage | Beam Angle | IP65 Rated | DLC (S/P) |
|-----------|---------------|------------------------|---------|-------------|--------------------|---------|------------|------------|-----------|
| 100 | 9492 | FXCAL100/840/BZ/3S | 4000K | 13,873 | 250-400 | 120-277 | Type3 | • | P |
| 100 | 9493 | FXCAL100/850/BZ/3S | 5000K | 14,100 | 250-400 | 120-277 | Type3 | • | P |
| 150 | 9494 | FXCAL150/840/BZ/3S | 4000K | 21,000 | 400-575 | 120-277 | Type3 | • | P |
| 150 | 9495 | FXCAL150/850/BZ/3S | 5000K | 21,150 | 400-575 | 120-277 | Type3 | • | P |
| 240 | 9496 | FXCAL240/840/BZ/3S | 4000K | 33,600 | 750-1000 | 120-277 | Type3 | • | P |
| 240 | 9497 | FXCAL240/850/BZ/3S | 5000K | 33,840 | 750-1000 | 120-277 | Type3 | • | P |
| 300 | 9498 | FXCAL300/840/BZ/3S | 4000K | 42,000 | 1000-1500 | 120-277 | Type3 | • | P |
| 300 | 9499 | FXCAL300/850/BZ/3S | 5000K | 42,300 | 1000-1500 | 120-277 | Type3 | • | P |
| 150 | 9528 | FXCAL150/840/BZ/3S/480 | 4000K | 21,000 | 400 | 277-480 | Type3 | • | pending |
| 150 | 9529 | FXCAL150/850/BZ/3S/480 | 5000K | 21,000 | 400 | 277-480 | Type3 | • | pending |
| 300 | 9518 | FXCAL300/840/BZ/3S/480 | 4000K | 40,500 | 1000 | 277-480 | Type3 | • | pending |
| 300 | 9519 | FXCAL300/850/BZ/3S/480 | 5000K | 40,500 | 1000 | 277-480 | Type3 | • | pending |
| 100 | 9512 | FXCAL100/840/BZ/3S/347 | 4000K | 14,000 | 250-400 | 120-347 | Type3 | • | pending |
| 100 | 9513 | FXCAL100/850/BZ/3S/347 | 5000K | 14,000 | 250-400 | 120-347 | Type3 | • | pending |
| 150 | 9514 | FXCAL150/840/BZ/3S/347 | 4000K | 21,000 | 400-575 | 120-347 | Type3 | • | pending |
| 150 | 9515 | FXCAL150/850/BZ/3S/347 | 5000K | 21,000 | 400-575 | 120-347 | Type3 | • | pending |
| 300 | 9516 | FXCAL300/840/BZ/3S/347 | 4000K | 40,500 | 1000-1500 | 120-347 | Type3 | • | pending |
| 300 | 9517 | FXCAL300/850/BZ/3S/347 | 5000K | 40,500 | 1000-1500 | 120-347 | Type3 | • | pending |

ACCESSORIES (Ordered Separately)



Slip Fitter
P10366 MT-CAL/SF/BZ
(Slip Fitter Mount for CAL)



8" Pole Mount Arm
P10365 MT-CAL/PM8/BZ
(8" Pole Mount Arm for CAL)



Yoke Mount
P10367 MT-CAL/YK13/BZ
(Yoke Mount for CAL)



Shorting Cap
P10053 SEN-PHO-LK-MT-SRT
(Twist Lock Photocell Shorting Cap
120-480V 3 Prong)



Dusk to Dawn Photocell
K141030 REC3PLK/PHO
(Twist Lock Photocell & Receptacle
120-277V 3 Prong)



Twist Lock Receptacle
P10141 REC3PLK
(Twist Lock Photocell & Receptacle
Mount 120-480V 3 Prong)



P10142 REC7PLK
(Twist Lock Photocell & Receptacle
Mount 120-480V 7 Prong)



Individual Sensors
P10387 SEN-BRI823-B-D
(PIR Motion/ Photocell 1-10V Bi-Level
Control Internal 120-277V)



P10371 SEN-BRI619
(PIR Motion/ Photocell 0-10V Bi-Level
Control Internal 347V/480V)



P10316 SEN-RC100
(Remote Programmer for P10371)



Plate with Grouping/Zoning Sensor Kit
P10259 SEN-ON-SRP281
(Remote Programmer for grouping/zoning)

K368258 PLT/SBZ/CAL/LRD9SWC
(Small plate with PIR linkable sensor 0-10V
bi-level control 120-277V for 100W, 150W)

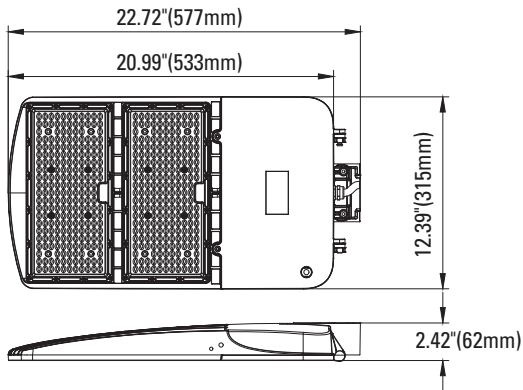
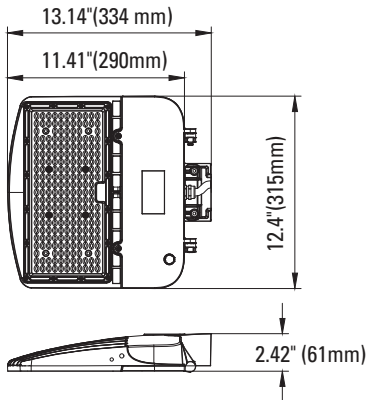
K368370 PLT/SBZ/CAL/BRDSWC
(Small plate with motion/remote linkable sensor
0-10V 3X C Lens 120-347V, 277-480V for 100W, 150W)

K369258 PLT/LBZ/CAL/LRD9SWC
(Large plate with PIR linkable sensor 0-10V
bi-level control 120-277V for 240W, 300W)

K369370 PLT/LBZ/CAL/BRDSWC
(Large plate with motion/remote linkable sensor
0-10V 3X C Lens 120-347V, 277-480V for 240W, 300W)

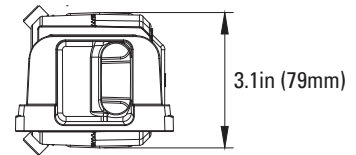
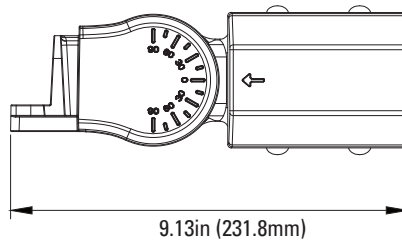
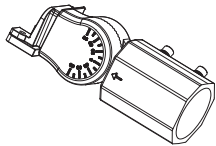
DIMENSIONS

| 100W | 150W | 240W | 300W |
|----------|----------|-----------|-----------|
| 6.28-lbs | 6.48-lbs | 10.31-lbs | 10.75-lbs |

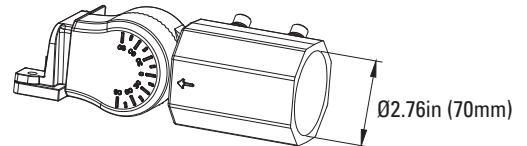
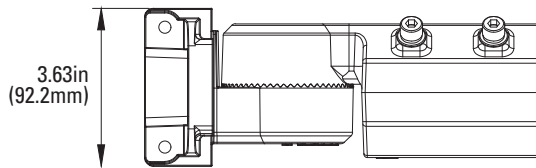


MOUNTING

Slip Fitter
P10366 MT-CAL/SF/BZ

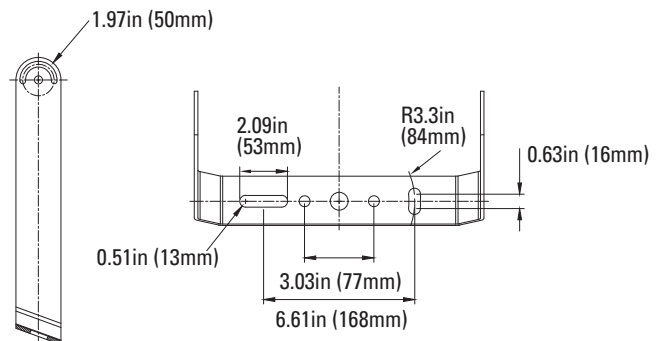
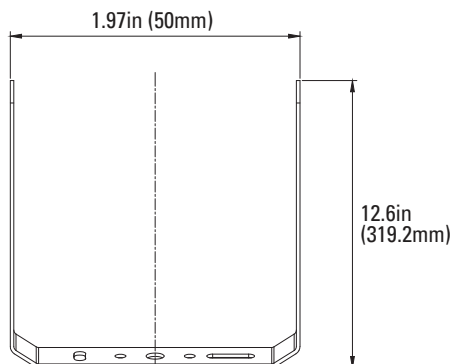
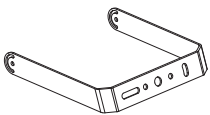


| |
|--|
| |
| SCALE : 1:1 |
| Measure Tolerance is: ±0.15 mm, ±0.01in |



MOUNTING

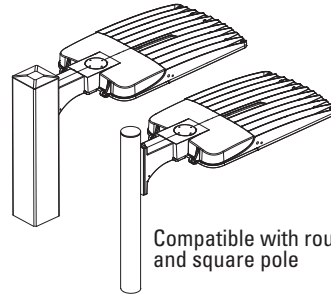
Yoke Mount
P10367 MT-CAL/YK13/BZ



| |
|--|
| |
| SCALE : 1:1 |
| Measure Tolerance is: ±0.15 mm, ±0.01in |

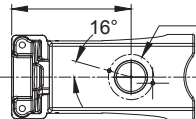
MOUNTING

8" Pole Mount Arm P10365 MT-CAL/PM8/BZ (Bronze)

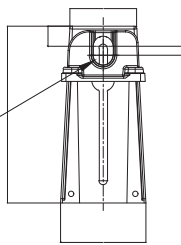
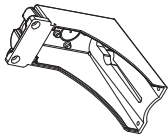


Remove gasket for round pole mounting

5.18in (131.6mm)

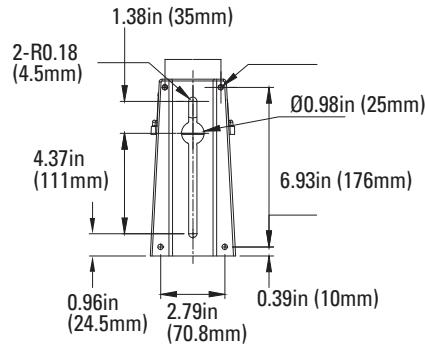


R0.43in (11mm)

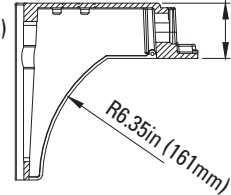


2-M4

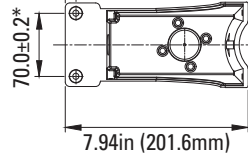
50.2148



2.4in (61mm)



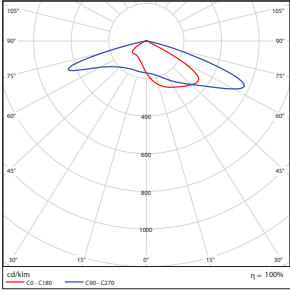
11.8±0.2*



| |
|--|
| |
| SCALE : 1:1 |
| Measure Tolerance is: ±0.15 mm, ±0.01in |

PHOTOMETRICS CHART

100W
DLC Premium

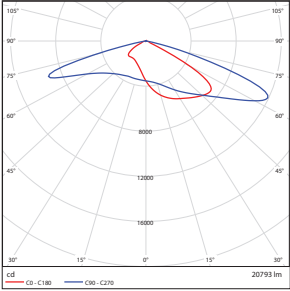


Illuminance at a Distance

| Center Beam fc | Beam Width |
|----------------|-----------------|
| 217 fc | 4.5 ft 2.4 ft |
| 52.6 fc | 9.2 ft 4.9 ft |
| 23.6 fc | 13.8 ft 7.3 ft |
| 13.3 fc | 18.3 ft 9.7 ft |
| 8.46 fc | 23.0 ft 12.2 ft |
| 5.90 fc | 27.5 ft 14.6 ft |

■ Vert. Spread: 69.1°
■ Horiz. Spread: 40.2°

150W
DLC Premium

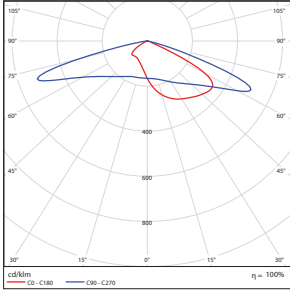


Illuminance at a Distance

| Center Beam fc | Beam Width |
|----------------|-----------------|
| 325 fc | 4.5 ft 2.4 ft |
| 78.8 fc | 9.2 ft 4.9 ft |
| 35.4 fc | 13.8 ft 7.3 ft |
| 20.0 fc | 18.3 ft 9.7 ft |
| 12.7 fc | 23.0 ft 12.2 ft |
| 8.84 fc | 27.5 ft 14.6 ft |

■ Vert. Spread: 69.1°
■ Horiz. Spread: 40.2°

240W
DLC Premium

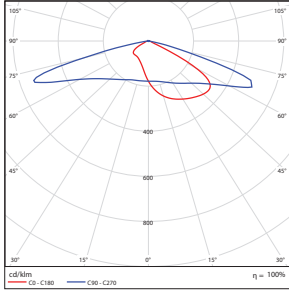


Illuminance at a Distance

| Center Beam fc | Beam Width |
|----------------|-----------------|
| 224 fc | 6.8 ft 3.1 ft |
| 56.1 fc | 13.7 ft 6.3 ft |
| 24.9 fc | 20.5 ft 9.4 ft |
| 14.0 fc | 27.3 ft 12.6 ft |
| 8.97 fc | 34.1 ft 15.7 ft |
| 6.23 fc | 41.0 ft 18.9 ft |

■ Vert. Spread: 68.6°
■ Horiz. Spread: 34.9°

300W
DLC Premium



Illuminance at a Distance

| Center Beam fc | Beam Width |
|----------------|-----------------|
| 303 fc | 7.6 ft 5.7 ft |
| 75.9 fc | 15.2 ft 11.4 ft |
| 33.7 fc | 22.8 ft 17.1 ft |
| 19.0 fc | 30.4 ft 22.8 ft |
| 12.1 fc | 38.1 ft 28.6 ft |
| 8.43 fc | 45.7 ft 34.3 ft |

■ Vert. Spread: 74.5°
■ Horiz. Spread: 59.5°

PACKAGE

Case Qty 1 pc

