



SAVE THESE INSTRUCTIONS - READ ALL INSTRUCTIONS CAREFULLY

IMPORTANT SAFEGUARDS



READ AND FOLLOW ALL SAFETY INSTRUCTIONS

- Review the diagrams thoroughly before beginning.
- All electrical connections must be in accordance with local codes, ordinances and the National Electric Code.
- All unused wires must be capped to prevent shorting.
- Disconnect power at fuse or circuit breaker before installing or servicing.
- Do not use outdoors.
- Do not mount in hazardous locations or near gas or electric heaters.
- Do not let power cords touch hot surfaces.
- Equipment should be mounted in locations and at heights where it will not be subject to tampering by unauthorized personnel.
- The use of accessory equipment is not recommended by the manufacturer.
- Do not use this equipment other than intended use.
- All servicing should be performed by qualified personnel only.
- Allow battery to charge for 24hrs before first use. For two battery models, allow 48hrs hours.

ELECTRICAL PARAMETERS		
120V AC 50-60 Hz	Input wattage: 3W	Emergency duration: ≥ 2 hours Recharge time: 20 hours Output wattage: 2* x 2W + 1W Light Source: Ultra bright LED Color Temperature: 6500K - 7500K Ni-cad Battery: 3.6V 1800mAh SC Product Size: 310*275* 74/mm
	Input current: 0.024 A	
	Efficiency: 0.98 P	
277V AC 50-60 Hz	Input wattage: 3.5W	
	Input current: 0.014 A	
	Efficiency: 0.93 P	
347V AC 50/60 Hz	Input wattage: 4W	
	Input current: 0.017 A	
	Efficiency: 0.92 P	

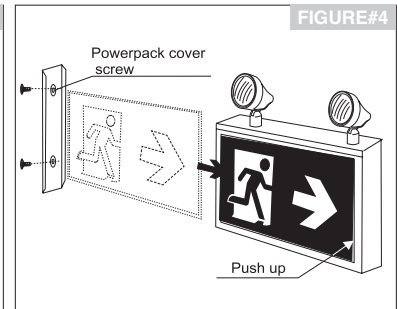
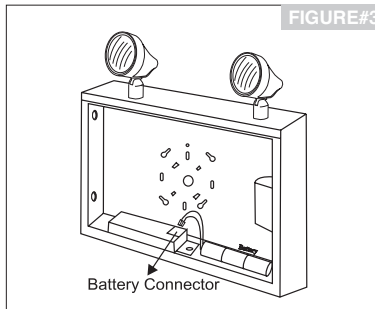
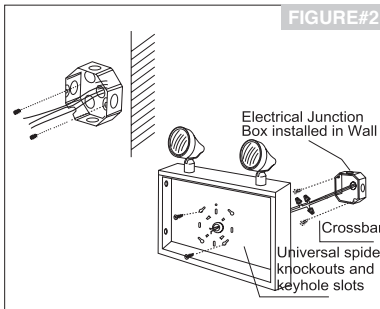
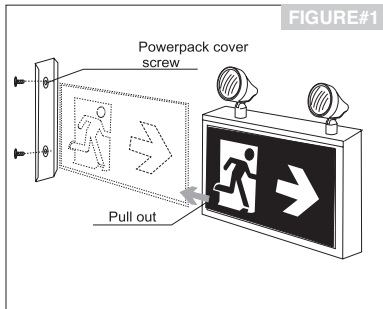
INSTALLATION INSTRUCTION

1. Turn off AC power.
2. Remove all components from packaging.
3. Refer to proper section (Wall, Ceiling, End-mount) for desired installation.

WALL MOUNT

1. Feed AC supply wires into the junction box leaving 8 inches of wire..
2. Remove the 2 end cap screws (see figure 1).
3. Slide out the pictogram panel(s) (see figure 1).
4. Remove and discard the canopy kit.
5. Identify the proper hole pattern in the back plate to mount to a standard junction box. Place a support in either side of the knockouts to be removed and then knock out with a screwdriver (see figure 2).
6. Insert a plastic bushing into the hole to protect wires from metal edge (see figure 2).
7. Route wires out the center hole (through the bushing) of the back plate.

8. The system will accept input voltages of 120-347V. Connect the black wire to Load (L), the white wire to Neutral (N) or Common, and the green wire to Ground (G).
9. Feed excess wires into the junction box.
10. Mount the unit securely to the junction box using the junction box screws.
11. Self-powered model only: Connect battery connector to the PCBA marked (BAT) on the PCBA (see figure 3).
12. Choose the appropriate pictogram panel(s) and remove the protective film.
13. Slide the pictogram panels into the housing and screw in the end cap (see figure 4).

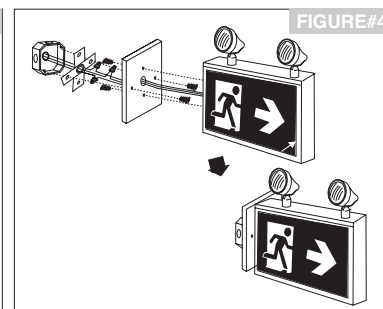
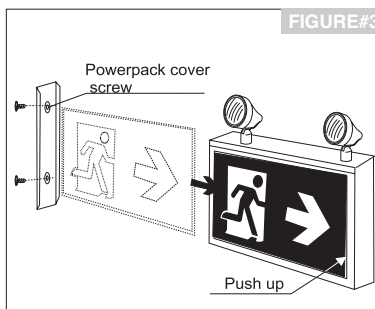
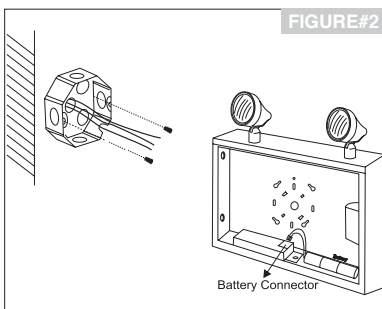
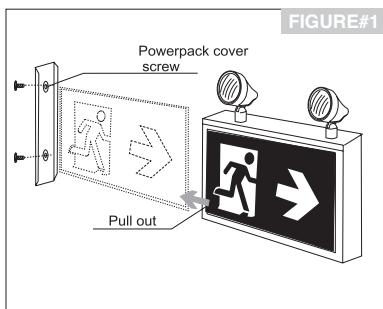




SAVE THESE INSTRUCTIONS - READ ALL INSTRUCTIONS CAREFULLY

END MOUNT

1. Feed AC supply wires into the junction box leaving 8 inches of wire (see figure 1).
2. Remove the 2 end cap screws (see figure 2).
3. Slide out the pictogram panel(s) (see figure 2).
4. Fasten the cross bar to the junction box screws (see figure 3).
5. Use a hammer and screwdriver to remove the proper knockouts in the frame for the canopy. The knockouts are located on the left side (see figure 4).
6. Insert a plastic bushing into the hole to protect wires from metal edge.
7. Self-powered model only: Connect battery connector to the PCBA marked (BAT) on the PCBA (see figure 2).
8. Choose the appropriate pictogram panel(s) and remove the protective film.
9. Slide the pictogram panel(s) into the housing and screw in the end cap (see figure 3). **Warning: Ensure the proper pictogram panel(s) are install and the arrow is in the right direction before replacing the end cap.**
10. Route unit wires out through the hole of the frame canopy assembly (see figure 4).
11. Fasten the canopy to the frame using 2 screws provided (see figure 4).
12. The system will accept input voltages of 120-347V. Connect the black wire to Load (L), the white wire to Neutral (N) or Common, and the green wire to Ground (G).
13. Feed excess wire into the junction box.
14. Install the frame canopy assembly to the 2 threaded holes in the cross bar using the screws provided (see figure 4).
15. Turn on AC supply.



Operation

Self-powered (battery)

1. To test, depress the TEST button. The AC indicator will go out and the LEDs will switch to battery power.
2. Release the TEST button. The LEDs will switch back to AC power and the AC indicator will come on.

Maintenance

1. Equipment must be tested regularly in accordance with local codes.
2. Replace the batteries as needed according to ambient conditions.
3. Clean the front cover on a regular basis to provide maximum light distribution.

Troubleshooting

THE SIGN DOES NOT LIGHT

1. Check the AC power supply.
2. Check AC connector. The transformer/capacitor input power assembly is connected to the LED circuit board. The connector will only lock into place when inserted with the correct orientation.
3. Check AC connections to transformer / capacitor assembly. Ensure that input voltage wiring matches the markings on the transformer / capacitor assembly wires being used.
4. AC supply and connections are OK and LEDs fail to light; replace LED board assembly. The sign is dim when the AC power is ON.
5. Check supply voltage and AC connections. The AC supply must be at least 80% of nominal (96 V on a 120 V line) for 347V transformer / capacitor lead wire. The sign comes on when the battery is first connected (No AC).
6. Check AC connections to transformer / capacitor assembly. Ensure that a 120V supply line has not been connected to the 347V transformer / capacitor lead wire.
7. This is normal when the battery has enough charge to power the LEDs. The sign will remain lit until the battery is discharged.
8. Battery has discharged. Allow 24 hours of recharge and then retest.
9. If LEDs are still dim upon the retest, replace battery.