

INSTALLATION INSTRUCTIONS

LED Step and Wall Lights

WL-LED102, WL-LED103

WAC LIGHTING

CAUTION: TO PREVENT ELECTRICAL SHOCK, ENSURE ELECTRICITY HAS BEEN TURNED OFF AT THE CIRCUIT BREAKER BEFORE BEGINNING.

- Read all instructions before installing.
- System is intended for installation by a licensed electrician in accordance with the national electrical code (nec) and local regulations.
- When handling the fixture, do not apply pressure to the leds. Hold the fixture by the base only.
- Retain installation instructions for future maintenance reference.

WARNING: All parts must be used as indicated in these instructions. This product is designed for use only with the supplied parts and/or accessories designated for use by WAC Lighting. Substitution of parts or accessories not designated for use with this product by WAC Lighting could result in personal injury or property damage, and will void the warranty. Contact an authorized dealer or the manufacturer if any parts are damaged or missing.

MAINTENANCE NOTE: Coastal conditions may cause mineral and residue build-up on the fixture. We recommend that customers in coastal areas clean all external surfaces of the fixture once every two weeks with a wet cloth.

MISE EN GARDE: POUR ÉVITER TOUT CHOC ÉLECTRIQUE, ASSUREZ-VOUS QUE LE DISJONCTEUR SOIT MIS HORS TENSION AVANT DE COMMENCER.

- Lisez toutes les instructions avant l'installation.
- Le système doit être installé par un électricien licencié conformément au code national de l'électricité (nec), et également aux règlements locaux.
- Lors de la manipulation du luminaire, n'appuyez pas sur les led. Tenez-le uniquement par la base.

ATTENTION: Toutes les pièces doivent être utilisées comme indiqué dans ces instructions. Ce produit est conçu pour être utilisé seulement avec les pièces et/ou accessoires fournis pour être utilisés avec les produits WAC Lighting. Remplacer des pièces ou accessoires non conçus pour ce produit WAC Lighting pourrait causer des dommages corporels ou matériels et pourrait également causer l'annulation de la garantie. Veuillez contacter un revendeur autorisé ou le fabricant si des pièces manquent ou sont endommagées.

NOTE D'ENTRETIEN: Les conditions côtières peut causer une accumulation de minéraux et de résidues sur le luminaire. Nous recommandons aux clients qui résident dans les zones côtières de nettoyer toutes les surfaces externes du luminaire une fois toutes les deux semaines avec un chiffon humide.

HARDWARE



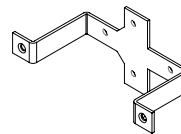
Rubber Washer
7MPH0704C1BK
Qty: 2pcs



Mounting Screw
7MPF0416C6
Qty: 2pcs



Wire Nut
7EAC000253
Qty: 2pcs



Mounting Bracket
4MBC964501B3
Qty: 1pc



Junction Box Screw
7MPF0308S1
Qty: 2pcs

waclighting.com
Phone (800) 526.2588
Fax (800) 526.2585

Headquarters/Eastern Distribution Center
44 Harbor Park Drive
Port Washington, NY 11050

Central Distribution Center
1600 Distribution Ct
Lithia Springs, GA 30122

Western Distribution Center
1750 Archibald Avenue
Ontario, CA 91760



INSTALLATION INSTRUCTIONS

LED Step and Wall Lights

WL-LED102, WL-LED103

WAC LIGHTING

OVERVIEW:

LED MODEL	RATED VOLTAGE
WL-LED102 Series	Input: 120V
WL-LED103 Series	Input: 120V

INSTALLATION INSTRUCTIONS

JUNCTION BOX: Install over 2" x 4" junction box with minimum inside dimensions of 3"H x 2"W x 2"D in order to accommodate fixtures. All wires and connections must be contained within junction box.

NOTE: Actual depth of box to be determined in accordance with the National Electrical Code (NEC) and local regulations.

Indoor or outdoor frame mounted junction box: Raco 2"x4" (16.5 cu. In) or equivalent recommended.
Outdoor surface mounted junction box: Red Dot deep weatherproof box Model S103E or equivalent recommended.
Mortar or poured concrete installation: Use appropriate junction box suitable for that particular application

1. Install 2" x 4" junction box, and ensure it is water-tight for outdoor use.
2. Secure mounting bracket to junction box using the screws provided with the junction box (**FIG.1**).
3. Insert gasket onto the back of the fixture (**FIG.2**).

NOTE: For indoor installation, gasket is not required, and can be discarded.

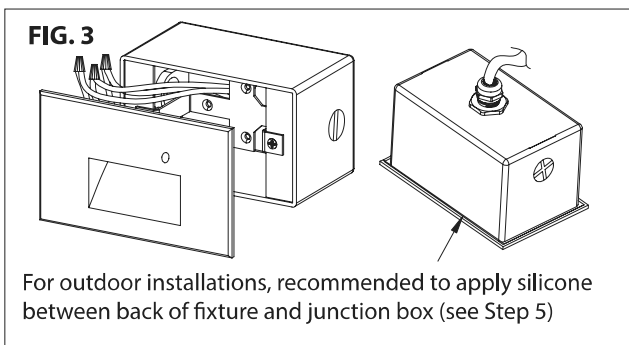
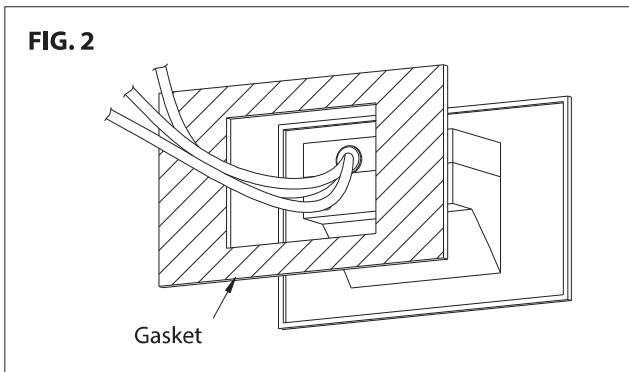
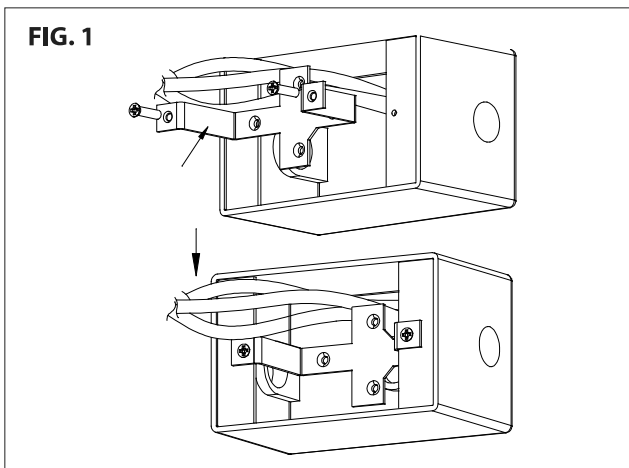
4. Connect the fixture wires to the junction box wires as follows: Black fixture wire to black (hot) junction box wire, white fixture wire to white (neutral) junction box wire, and green fixture wire to ground (**FIG.3**).

NOTE: Multiple fixtures (up to 200) can be wired together in parallel: Hot to hot, and neutral to neutral.

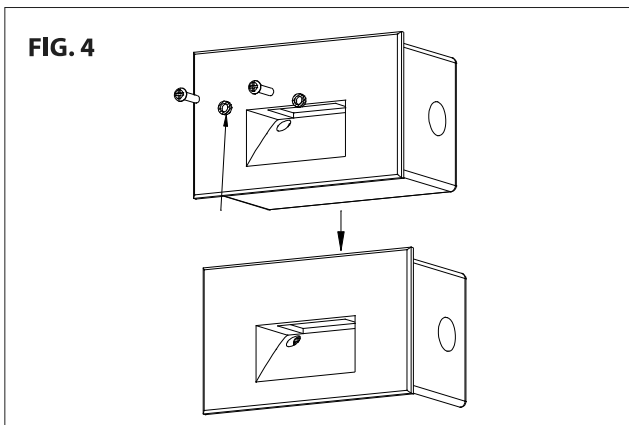
5. Place all wiring and connectors back in junction box and install the fixture.

NOTE: For outdoor installation, it is recommended that the installer run a bead of clear, outdoor-rated silicone (GE RTV-162 or equivalent) caulk between gasket or back of fixture and mounting surface to prevent seepage of water into fixture.

6. Secure the fixture to the surface using two mounting screws and two rubber washers provided (**FIG.4**).



For outdoor installations, recommended to apply silicone between back of fixture and junction box (see Step 5)



waclighting.com
Phone (800) 526.2588
Fax (800) 526.2585

Headquarters/Eastern Distribution Center
44 Harbor Park Drive
Port Washington, NY 11050

Central Distribution Center
1600 Distribution Ct
Lithia Springs, GA 30122

Western Distribution Center
1750 Archibald Avenue
Ontario, CA 91760

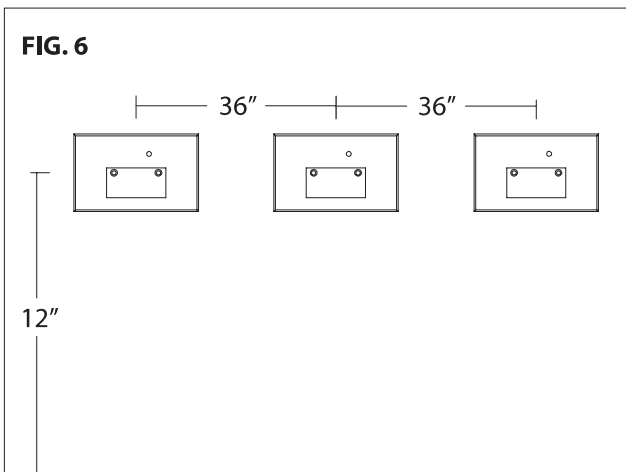
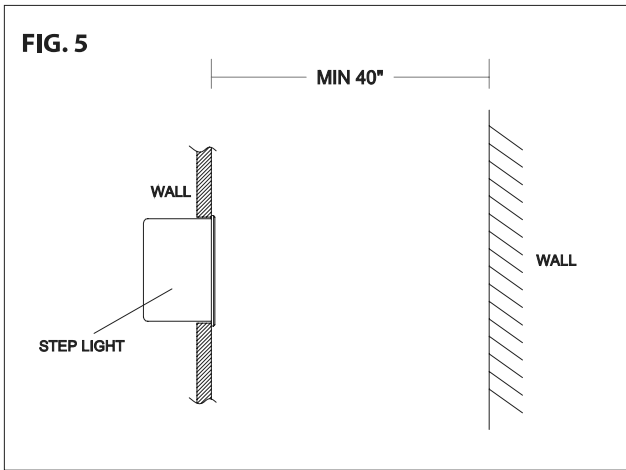


INSTALLATION INSTRUCTIONS

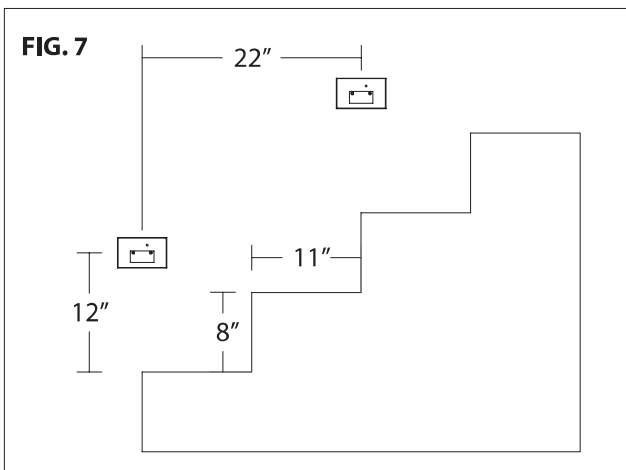
LED Step and Wall Lights

WL-LED102, WL-LED103

WAC LIGHTING



Installing fixtures closer together than the recommended minimum distance illustrated in **FIG. 6** will cause one or more of the fixtures to remain OFF.



Installing fixtures closer together than the recommended minimum distance illustrated in **FIG. 7** will cause one or more of the fixtures to remain OFF.

waclighting.com
Phone (800) 526.2588
Fax (800) 526.2585

Headquarters/Eastern Distribution Center
44 Harbor Park Drive
Port Washington, NY 11050

Central Distribution Center
1600 Distribution Ct
Lithia Springs, GA 30122

Western Distribution Center
1750 Archibald Avenue
Ontario, CA 91760

