

Project	
Schedule	Date
Notes	

DESCRIPTION

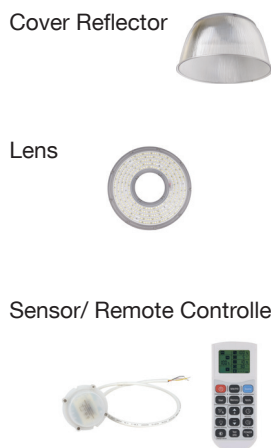
naturalLED® Round High Bay comes with an IP66 rating, making it able to resist water and withstand various outdoor weather conditions. It's uniquely designed for multiple outdoor settings such as, warehouses, facades, landscapes, perimeter, parking lots and more. Our round high bay are compact, lightweight fixture, perfect replacement for HID fixture. With the ability to replace up to 575-watt fixture and adjustable pre-installed hook design, it's the perfect easy hanging mount option for any environment that still utilizes traditional HID and linear fluorescent high bay.



FEATURES

- DLC Premium Qualified
- IP66 Rated
- 1/2" NPT pipe thread
- Corrosion resistant powder coating
- Dimmable: 0-10V (only with sensor)
- Input line voltage: 120-347V
- Aux line: 12V
- Input current: 0.9A (100W) / 1.36A (150W)
- Surge protect level: 4KV
- Power Factor: >0.9
- THD: <20%
- Operating temperature: -22°F-122°F
- Material: Die Cast Aluminum
- Fixture hook included
- 6 feet SO cord for easy installation
- Beam Angle 90°
- Available beam angle 120° as optional accessory
- 50,000 rated life hours

ACCESSORIES



APPLICATIONS

- Retail Lighting
- Warehouse Lighting
- Gymnasium
- Industrial Facility
- Architectural Lighting
- Commercial Lighting

WARRANTY

- 5 Year Warranty

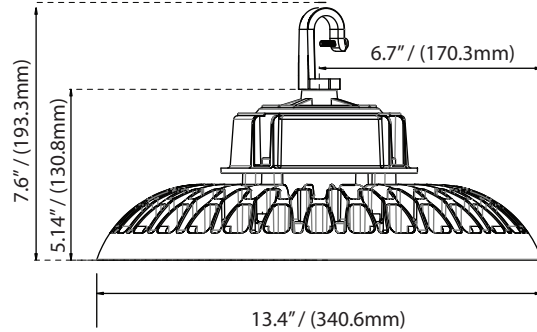
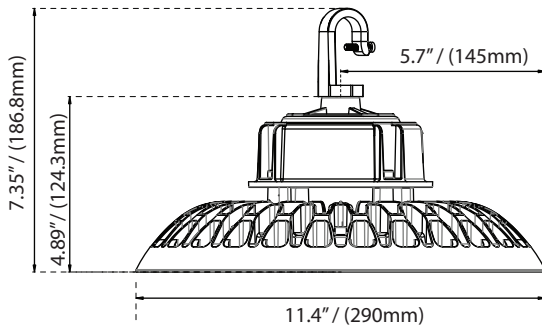
Ordering Information		EXAMPLE: FX11HBR100/90/850/BK/IP66/347						
FX	11	HBR	100	90	850	BK	IP66	347
Category	Diameter	Series	Wattage	Beam Angle	CRI/Color Temp	Color	Ratings	Voltage
FX Fixture	11 11-inch	HBR High Bay Round	100 100W	90 90°	8 CRI 80 50 5000K	BK Black	IP66 IP66 Rating	347 120-347V

ORDERING

*P= Premium DLC / *S = Standard DLC

Watts (W)	Ordering Code	Description	Color Temp (K)	Lumens (lm)	Size	Equiv. Wattage (W)	Beam Angle	IP66 Rated	DLC (S/P)
100	9438	FX11HBR100/90/850/BK/IP66/347	5000K	15,840	11"	400	90°	•	P
150	9439	FX13HBR150/90/850/BK/IP66/347	5000K	23,696	13"	400-575	90°	•	P

SPECIFICATIONS



MOUNTING / ACCESSORIES

SOLD SEPARATELY

Cover/Reflector

- **P10376 CVR-11HBR100-PC**

(Cover-11" Round High Bay 100W PC Reflector)



- **P10377 CVR-13HBR150-PC**

(Cover-13" Round High Bay 150W PC Reflector)



Lens-120deg Beam Angle

- **P10320 LENS-11HBR-120D-IP66**

(Lens- Round High Bay 11" 120D IP66)



- **P10321 LENS-13HBR-120D-IP66**

(Lens- Round High Bay 13" 120D IP66)



Sensor/Controller

- **P10319 SEN-HD06VCRH**

(Sensor-Motion HD06VCRH 12V 0-10V)



- **P10323 SEN-HD05R**

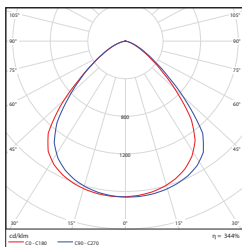
(Sensor-Remote Setting Controller HD05R)



PHOTOMETRICS CHART

HBR100 (11-inch)

DLC Premium

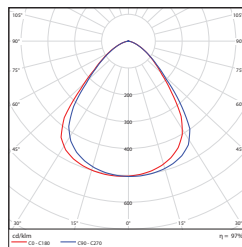


Center Beam Fc	Beam Width	
5.0ft	30.4 ft	10.3 ft
10.0ft	76.1 ft	20.5 ft
15.0ft	33.8 ft	30.8 ft
20.0ft	19.0 ft	41.0 ft
25.0ft	12.2 ft	51.3 ft
30.0ft	8.46 ft	61.5 ft

Vert. Spread: 91.5°
Horiz. Spread: 92.1°

HBR150 (13-inch)

DLC Premium



Center Beam Fc	Beam Width	
5.0ft	466 ft	9.1 ft
10.0ft	117 ft	18.2 ft
15.0ft	51.8 ft	27.3 ft
20.0ft	29.1 ft	36.5 ft
25.0ft	18.6 ft	45.6 ft
30.0ft	12.9 ft	54.7 ft

Vert. Spread: 84.7°
Horiz. Spread: 85.4°

PACKAGE

Master Pack: 1 pc

