

PROJECT:

SCHEDULE:

DATE:

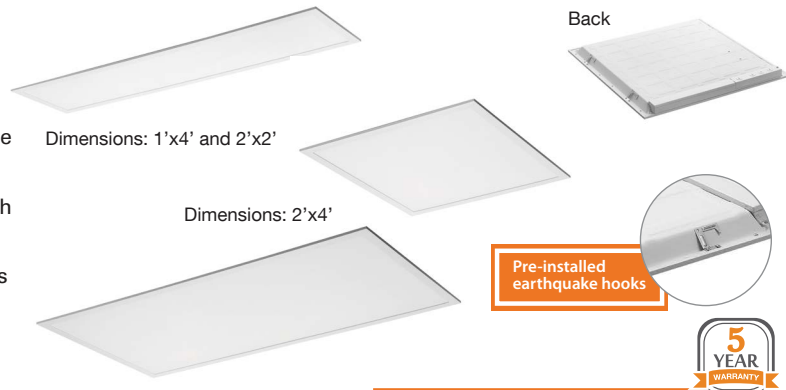
PREPARE BY:

NOTES:

## PNL FLAT PANEL CCT3

### DESCRIPTION

naturaLED® features qualified DLC Back-Lit Flat Panels (PNL), an integrated LED technology with a low profile design and CCT selectable (3500K, 4000K, 5000K) and comes with additional 12V output for your control and accessories needs. This lightweight LED provides a smooth and uniform light distribution from edge-to-edge for an even and consistent color design. Perfect solution for your interior lighting needs for offices, schools, and meeting rooms. The Back-Lit Flat Panels are easily installed with maximum energy savings; comes in standard configurations of 1'x4', 2'x2', and 2'x4' for mounting in T-Bar/Grid ceilings or optional surface mount box kit.



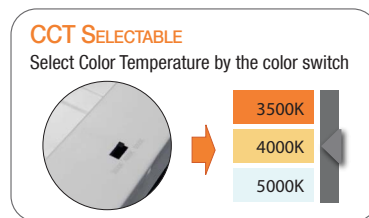
Rated Life Hours 50,000  
Warranty 5 Years

### APPLICATIONS

Conference room, meeting rooms, offices, schools, hospitals

### FEATURES

- DLC Standard
- Damp Location
- ETL Listed
- Color Temperature: 3CCT Selectable (3500K, 4000K, 5000K)
- Lighter weight housing for easy installation
- Uniform and consistent color from edge to edge
- Input line voltage: 120-277V / 120-347V
- Power Factor: >0.9
- CRI: 80
- Surge Protection Level: 2.5KV
- Dimmable: 0-10V (Dim-to-off)
- Beam Angle: 115°
- Operating temperature: -4°F - 104°F
- Optional for Purchase: Ceiling Mount Box, Flange Mount Kit, Emergency Driver



### ACCESSORIES

	Ceiling Mount Box
	Flange Mount Kit
	Emergency LED Driver + Bracket
	Earthquake Hook (Pre-installed)

SAMPLE NUMBER FXPNL40/2X2/8CCT3/347

FAMILY	SERIES	WATTAGE	SIZE	CRI	COLOR TEMP	VOLTAGE
FX Fixture	PNL Flat Panel Light	40 40 Watt	2X2 2ft x 2ft	8 CRI 80	CCT3 Selectable 3500K, 4000K, 5000K	347 120-347V (none) 120-277V



# BACK-LIT FLAT PANEL CCT3

CEILING & AREA LUMINAIRES

## ORDERING

\*P= Premium DLC / \*S = Standard DLC

	Watts (W)	Ordering Code	Description	CCT (K)	Lumens (Lm)	Size	Equiv. Wattage (W)	Beam Angle	Voltage	DLC (S/P)
120-277V	40	9462	FXPNL40/1X4/8CCT3	3500/4000/5000K	4,480	1'x4'	90-100	115°	120-277	S
	40	9460	FXPNL40/2X2/8CCT3	3500/4000/5000K	4,480	2'x2'	90-100	115°	120-277	S
	50	9461	FXPNL50/2X4/8CCT3	3500/4000/5000K	5,900	2'x4'	120-130	115°	120-277	S
120-347V	40	9465	FXPNL40/1X4/8CCT3/347	3500/4000/5000K	4,480	1'x4'	90-100	115°	120-347	S
	40	9463	FXPNL40/2X2/8CCT3/347	3500/4000/5000K	4,480	2'x2'	90-100	115°	120-347	S
	50	9464	FXPNL50/2X4/8CCT3/347	3500/4000/5000K	5,900	2'x4'	120-130	115°	120-347	S

## ACCESSORIES (Ordered Separately)

### Ceiling Mount Kit (4.5" Height)



P10334 MT-1X4BOX-4.5in  
(1'x4' Panel Surface Mount Kit)



P10335 MT-2X2BOX-4.5in  
(2'x2' Panel Surface Mount Kit)



P10336 MT-2X4BOX-4.5in  
(2'x4' Panel Surface Mount Kit)

### Flange Mount Kit



P10314 MT-1X4FMBOX  
(1'x4' Flange Mount Kit)



P10228 MT-2X2FMBOX  
(2'x2' Flange Mount Kit)



P10229 MT-2x4FMBOX  
(2'x4' Flange Mount Kit)

### Ceiling Mount Kit (3.0" Height)



P10416 MT-1X4BOX-3.0in  
(1'x4' Panel Surface Mount Kit-3.0" height)



P10417 MT-2X2BOX-3.0in  
(2'x2' Panel Surface Mount Kit-3.0" height)



P10418 MT-2X4BOX-3.0in  
(2'x4' Panel Surface Mount Kit-3.0" height)

### LED Panel Emergency Driver (Back-Lit) 120-277V



K7338333 FXPNL-BAEM-MT1FT-BLP/347  
(Emergency backup driver mount KIT for 1'x4')



7338 BAEM8L-60BC/347-A  
(Emergency backup driver for 2'x2' & 2'x4')

### Micro Inverter 120-347V



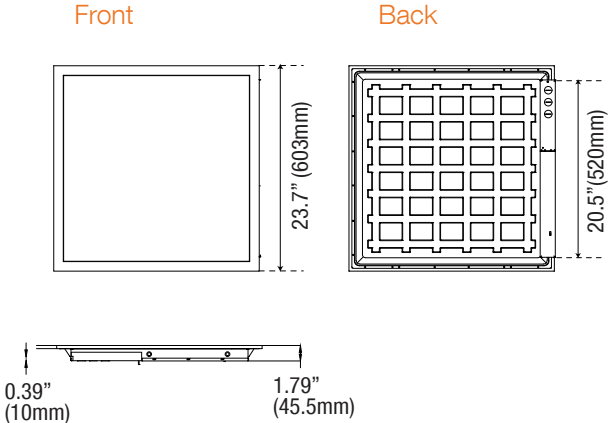
7337 BAEM25-170BC/347-C  
(25W Micro Inverter 120-347 w/12" Conduit)  
[Field Installation](#)

# BACK-LIT FLAT PANEL CCT3

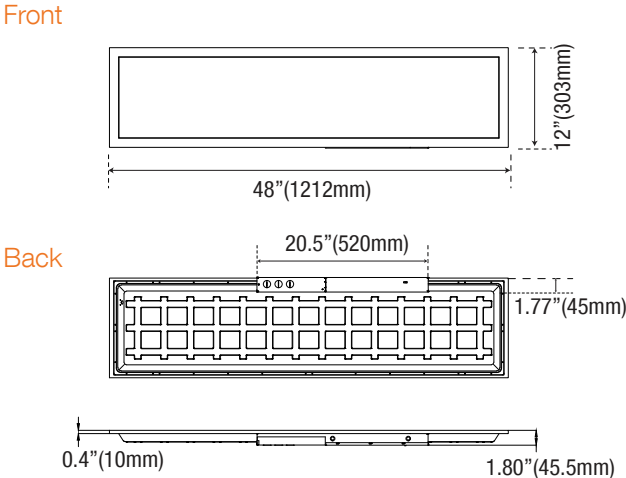
CEILING & AREA LUMINAIRES

## DIMENSIONS

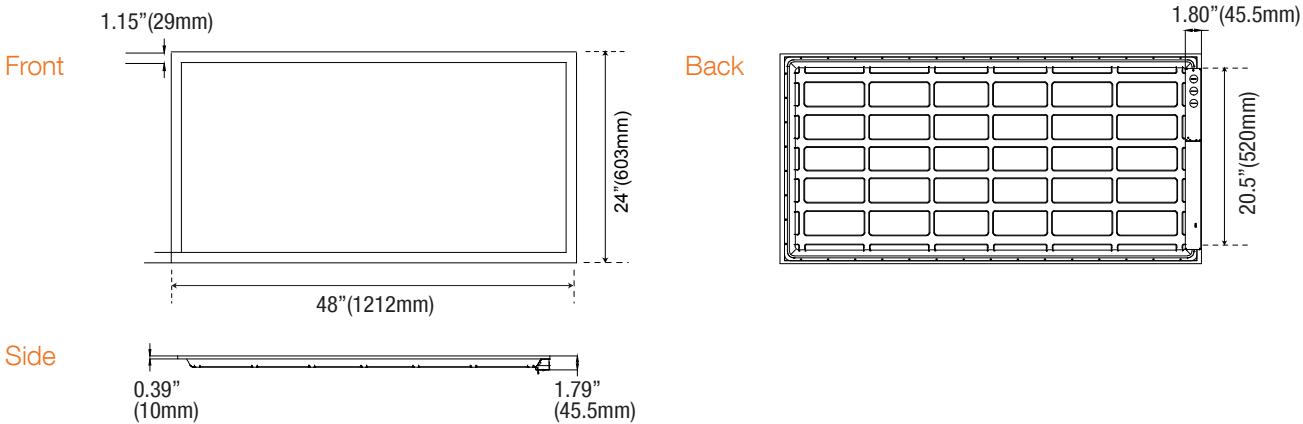
### 2'x 2'



### 1'x 4'



### 2'x 4'

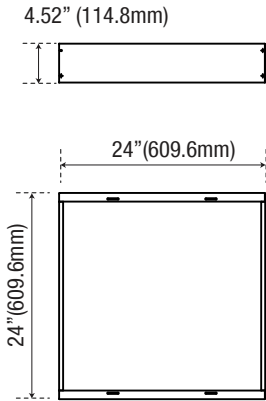


# BACK-LIT FLAT PANEL CCT3

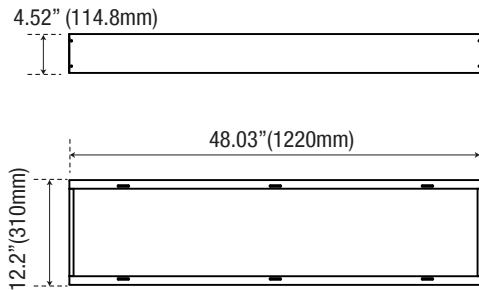
## CEILING & AREA LUMINAIRES

### CEILING MOUNT KIT (4.5-inch)

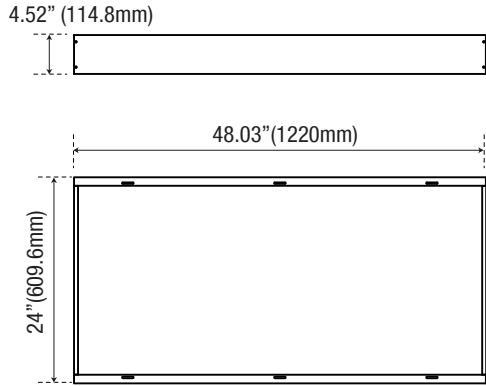
**2'x 2'**



**1'x 4'**

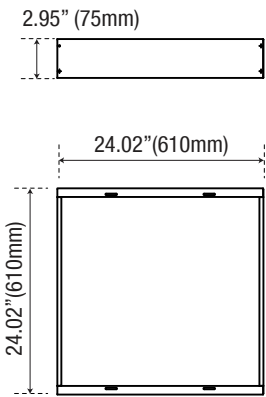


**2'x 4'**

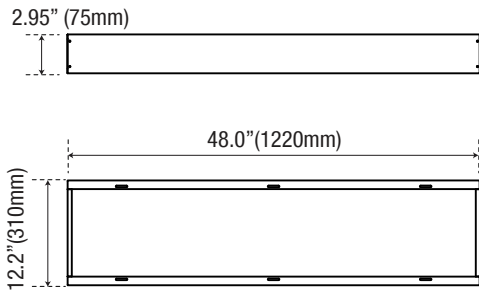


### CEILING MOUNT KIT (3.0-inch)

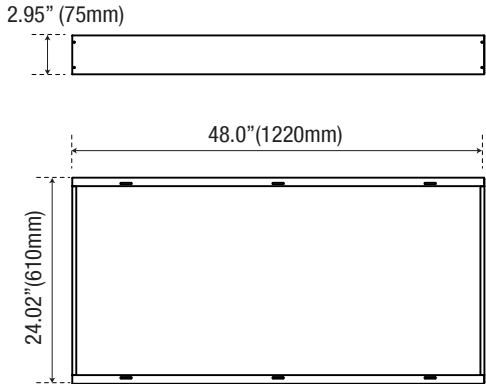
**2'x 2'**



**1'x 4'**

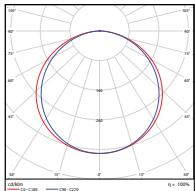


**2'x 4'**



### PHOTOMETRICS CHART

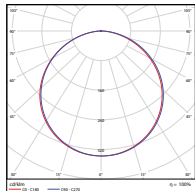
**40 Watt - 1'x4'**  
DLC Standard



Center beam ft.	Beam width	
1.0'	5.0' R	5.6' R
3.0'	14.1' R	16.0' R
5.0'	22.3' R	27.4' R
10.0'	44.6' R	54.8' R

■ Vert. Spread: 115.0°  
■ Horiz. Spread: 117.6°

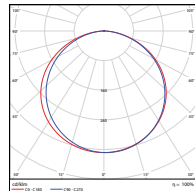
**40 Watt - 2'x2'**  
DLC Standard



Center beam ft.	Beam width	
1.0'	5.4' R	5.4' R
3.0'	14.7' R	16.0' R
5.0'	24.2' R	28.5' R
10.0'	48.4' R	57.0' R

■ Vert. Spread: 115.2°  
■ Horiz. Spread: 115.0°

**50 Watt - 2'x4'**  
DLC Standard



Center beam ft.	Beam width	
1.0'	5.4' R	5.6' R
3.0'	14.7' R	16.0' R
5.0'	24.2' R	27.3' R
10.0'	48.4' R	54.6' R

■ Vert. Spread: 115.4°  
■ Horiz. Spread: 117.4°

### PACKAGE

Case Qty 2 pcs

