

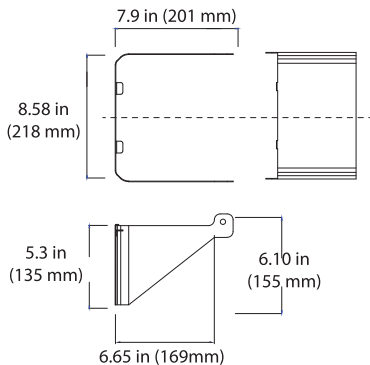
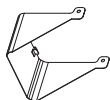
# MOUNTING SPECIFICATIONS

SOLD SEPARATELY

## Shield (29W~100W)

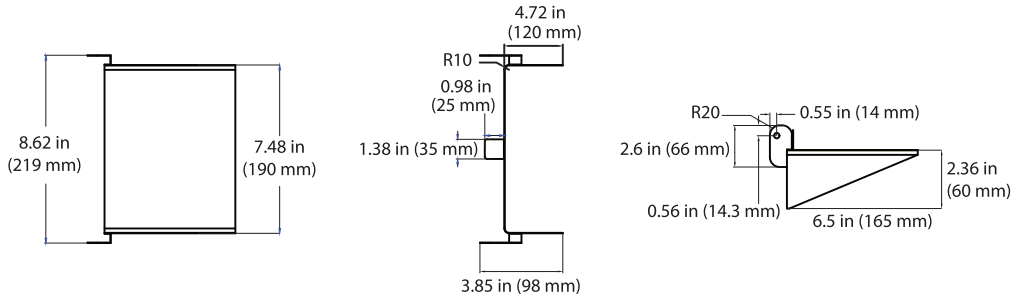
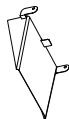
### Front

- P10213 GSF-SAL-S/DB
- P10214 GSF-SAL-S/WH



### Back

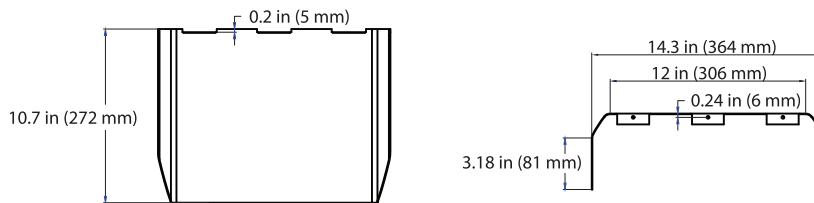
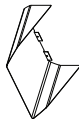
- P10205 GSB-SAL-S/DB
- P10206 GSB-SAL-S/WH



## Shield (150W~360W)

### Front

- P10215 GSF-SAL-L/DB
- P10216 GSF-SAL-L/WH



### Back

- P10207 GSB-SAL-L/DB
- P10208 GSB-SAL-L/WH

