

Project _____
 Schedule _____ Date _____
 Notes _____

DESCRIPTION

NaturaLED® has designed a sleek, contemporary post top fixture with one vertical mounting arm that creates a clean look and easier installation to retrofit on standard 2-3/8" tenons. Saving time and money by upgrading to LED. Our DLC premium open round post top light fixture replaces up to 250 watt metal halide fixtures and produces up to 9,361 lumens.

BENEFITS

- Sleek, contemporary design eliminates light trespass to avoid light pollution in the night sky.
- Optional accessory: Fixture is engineered so motion sensor can be built inside to preserve clean lines avoid certain weather conditions.



FEATURES

- DLC Premium
- IP65 Rated
- Title 24
- ETL Listed
- NEMA 4X
- UL Rated
- Sleek design
- Unique design polycarbonate prismatic array lens
- Optional photocell, motion sensor
- Mounting: Fits 2-3/8" Tenon
- Dimmable 1-10V
- CRI: 80
- Input Voltage: 120-277V
- Power Factor: >0.9
- Beam Angle: 120°
- Operating temperature: -40°F - 140°F
- Optional Motion Sensor or photocell sensor

ACCESSORIES

Receptacle



Photocell Sensor



Motion Sensor



APPLICATIONS

- Corporate Campus Lighting
- Education Facilities Lighting
- Healthcare Facilities Lighting
- Parking Structure
- Parks
- Hospitalities
- Walkways
- Commercial office buildings
- Applications where landscape lighting may come into use

WARRANTY

- 5 Year Warranty

Ordering Information		EXAMPLE: LED-FX16PST35/840/BK				
LED	FX	16	PST	35	840	BK
LED	Category FX Fixture	Size 16 16" Diameter	Style PST Post Top	Wattage 35 35W	CRI/Color Temp 8 CRI80 40 4000K	Color BK Black

ORDERING

*P= Premium DLC / *S = Standard DLC

Watts (W)	Ordering Code	Description	Color Temp (K)	Lumens (lm)	Diameter	Equiv. Wattage (W)	Beam Angle	Rated Hrs	IP65	DLC (S/P)
34	9297	LED-FX16PST35/840/BK	4000K	4,304	16"	150	120°	50,000	•	P
34	9298	LED-FX16PST35/850/BK	5000K	4,374	16"	150	120°	50,000	•	P
74	9299	LED-FX16PST73/840/BK	4000K	9,210	16"	250	120°	50,000	•	P
74	9300	LED-FX16PST73/850/BK	5000K	9,361	16"	250	120°	50,000	•	P

MOUNTING / ACCESSORIES

SOLD SEPARATELY

Receptacle (Up to 480V)

- **P10141 REC3PLK**
(Receptacle Mount 3 Prong)



3 Prong receptacles for ON/OFF controls.

- **P10142 REC7PLK**
(Receptacle Mount 7 Prong)



7 Prong receptacles for DIMMABLE controls.

Photocell Sensor (120-277V)

- **K141030 REC3PLK/PHO**
(Kit Set: Photocell Sensor + 3 prong receptacle)



- **P10053 SEN-PHO-LK-MT-SRT**
(Twist Lock Mount Shorting Cap)

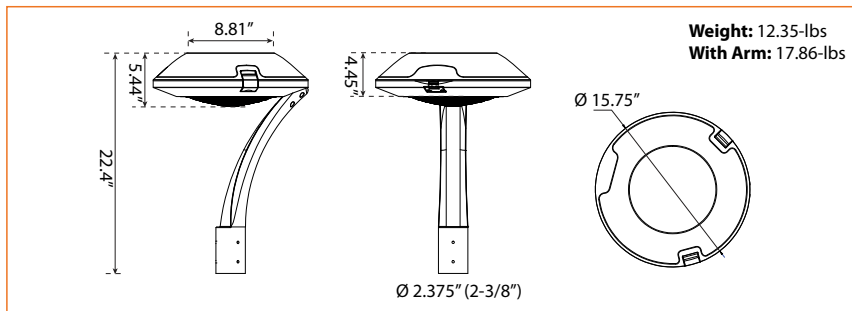


Motion/Daylight Sensor (120-277V)

- **P10234 SEN-MC605V-D**
(Built in Motion Sensor 120-277V)

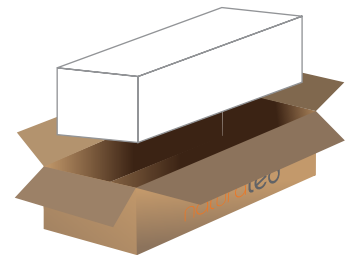


SPECIFICATIONS



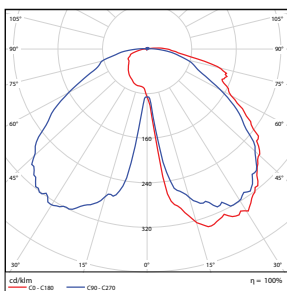
PACKAGE

Master Pack: 1 pc



PHOTOMETRICS CHART

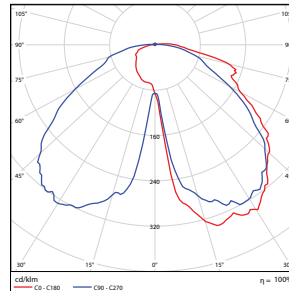
34-Watt



Center Beam fc	Beam Width	
2.5R	44.2 fc	4.1 ft 7.3 ft
5.0R	11.1 fc	8.1 ft 14.5 ft
7.5R	4.92 fc	12.2 ft 21.8 ft
10.0R	2.77 fc	16.3 ft 29.0 ft
12.5R	1.77 fc	20.3 ft 36.3 ft
15.0R	1.23 fc	24.4 ft 43.6 ft

■ Vert. Spread: 78.2°
■ Horiz. Spread: 110.9°

74-Watt



Center Beam fc	Beam Width	
2.5R	90.9 fc	3.3 ft 7.2 ft
5.0R	22.7 fc	6.5 ft 14.5 ft
7.5R	10.1 fc	9.8 ft 21.7 ft
10.0R	5.68 fc	13.1 ft 29.0 ft
12.5R	3.64 fc	16.4 ft 36.2 ft
15.0R	2.53 fc	19.6 ft 43.5 ft

■ Vert. Spread: 66.4°
■ Horiz. Spread: 110.8°