

Project	
Schedule	Date
Notes	

DESCRIPTION

naturalLED[®] (SWP) is our slim, low-profile cutoff wall pack with the smooth contemporary design. Well-engineered, high-quality die-cast aluminum, delivering bright, crisp light. The excellent thermal design ensures our SWP's performance over rated life. Installation is made simple and easy with an adjustable angle and hinged junction box.

Our Slim Wall Packs are available in 15W, 28W and 45W with color options of Black and Bronze. Optional 3/4" knuckle-mount, adjustable swivel bracket or slip fitter provides you the flexibility for your application. SWP is ideal for landscape, wall/surface, low-level pathway, apartment buildings, schools and multi-use facilities.

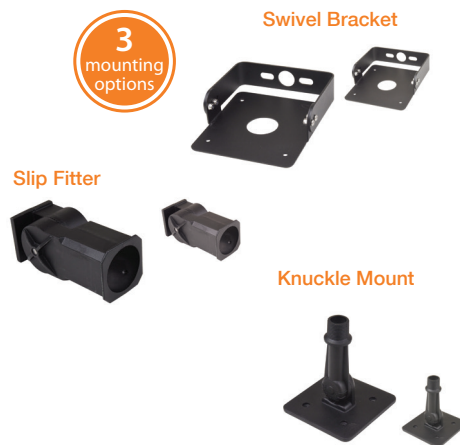


FEATURES

- DLC Premium Certified
- IP65 Rated
- ADA Compliance
- Adjustable fixture angle
- 1/2" NPT knock out
- Forward throw beam
- Uniform and consistent color
- Excellent thermal design
- Aluminum die cast housing
- Photocell sensor compatible
- Material: Aluminum cast housing
- Input line voltage: 120-277
- CRI: 80
- Powerfactor >0.9
- Beam Angle: 140°
- Operating temperature: -4°F ~ 122°F

ACCESSORIES

- Slip Fitter
- Swivel Bracket
- 3/4" NPT Knuckle Mount



APPLICATIONS

- Security Lighting
- Pathway Lighting
- Perimeter Lighting
- Entryway Lighting

WARRANTY

- 5 Year Warranty

COLORS



Ordering Information		EXAMPLE: LED-FXSWP15/840/DB			
LED	FX	SWP	15	840	DB
LED	Category	Series	Wattage	Color Temp	Color
	FX Fixture	SWP Slim Wall Pack	15 15W	840 4000K	DB Dark Bronze

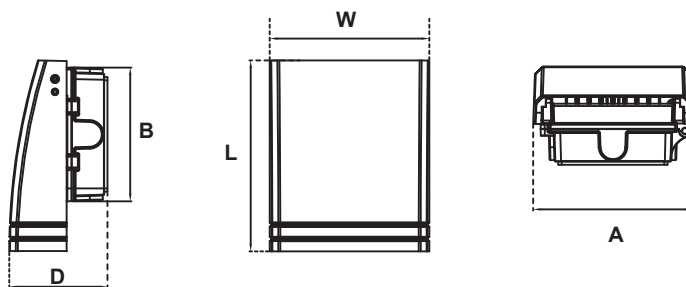
ORDERING

*P= Premium DLC / *S = Standard DLC

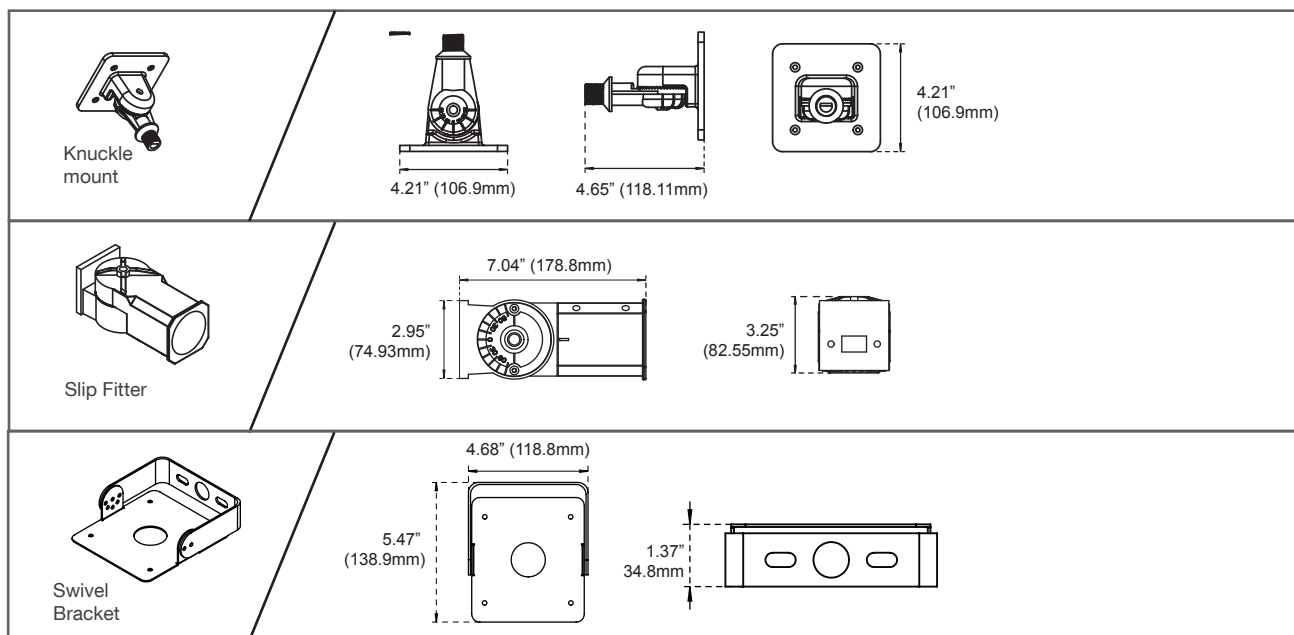
Watts (W)	Ordering Code	Description	Color Temp (K)	Lumens (lm)	Depth Size*	Equiv Wattage	Rated Hrs	Color	Dimmable	IP65	DLC
15	9301	LED-FXSWP15/840/DB	4000K	1,800	4" *	100W	50,000	D. Bronze	-	•	P
15	9302	LED-FXSWP15/850/DB	5000K	1,800	4" *	100W	50,000	D. Bronze	-	•	P
15	9307	LED-FXSWP15/840/BK	4000K	1,800	4" *	100W	50,000	Black	-	•	P
15	9308	LED-FXSWP15/850/BK	5000K	1,800	4" *	100W	50,000	Black	-	•	P
28	9303	LED-FXSWP28/840/DB	4000K	3,480	4" *	175W	50,000	D. Bronze	•	•	P
28	9304	LED-FXSWP28/850/DB	5000K	3,480	4" *	175W	50,000	D. Bronze	•	•	P
28	9309	LED-FXSWP28/840/BK	4000K	3,480	4" *	175W	50,000	Black	•	•	P
28	9310	LED-FXSWP28/850/BK	5000K	3,480	4" *	175W	50,000	Black	•	•	P
45	9305	LED-FXSWP45/840/DB	4000K	5,400	4" *	250W	50,000	D. Bronze	•	•	P
45	9306	LED-FXSWP45/850/DB	5000K	5,400	4" *	250W	50,000	D. Bronze	•	•	P
45	9311	LED-FXSWP45/840/BK	4000K	5,400	4" *	250W	50,000	Black	•	•	P
45	9312	LED-FXSWP45/850/BK	5000K	5,400	4" *	250W	50,000	Black	•	•	P

SPECIFICATIONS

*ADA Compliance



Length (L)	Width (W)	Depth(D)	Weight (lbs)	A	B
7.87"(200mm)	6.6"(167mm)	4"(103mm)	5.45	6.18"(157mm)	5.5"(140mm)



MOUNTING / ACCESSORIES

SOLD SEPARATELY

Slip Fitter

- **P10076 MT-SF-SWP/DB**
(Slip Fitter Dark Bronze)
- **P10007 MT-SF-SWP/BK**
(Slip Fitter Black)



Swivel Bracket

- **P10074 MT-SB-SWP/DB**
(Swivel Bracket Dark Bronze)
- **P10005 MT-SB-SWP/BK**
(Swivel Bracket Black)



Knuckle Mount

- **P10075 MT-KNC-SWP/DB**
(3/4" NPT Knuckle Mount Dark Bronze)
- **P10006 MT-KNC-SWP/BK**
(3/4" NPT Knuckle Mount Black)



Photocell

- **P10036 SEN-PHO-BT-MT/MV**
(Button Photocell (120-277V))

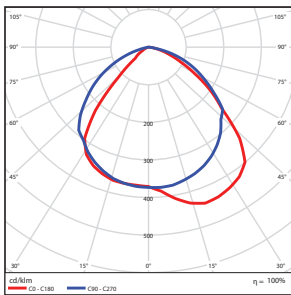


PHOTOMETRICS CHART

PACKAGE

Master Pack: 5 pcs

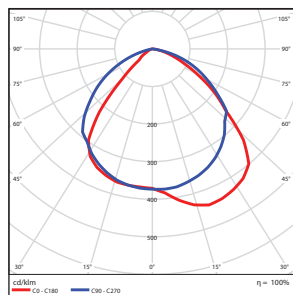
15 Watt



Illuminance at a Distance			
	Center Beam Fc	Beam Width	
2.5R	117 fc	5.3 ft	6.8 ft
5.0R	29.2 fc	10.6 ft	13.5 ft
7.5R	13.0 fc	15.8 ft	20.3 ft
10.0R	7.31 fc	21.1 ft	27.0 ft
12.5R	4.68 fc	26.4 ft	33.8 ft
15.0R	3.25 fc	31.7 ft	40.5 ft

■ Vert. Spread: 93.1°
■ Horiz. Spread: 107.0°

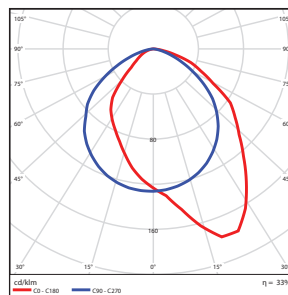
28 Watt



Illuminance at a Distance			
	Center Beam Fc	Beam Width	
2.5R	206 fc	4.2 ft	6.3 ft
5.0R	51.6 fc	8.5 ft	12.6 ft
7.5R	22.9 fc	12.7 ft	18.9 ft
10.0R	12.9 fc	17.0 ft	25.2 ft
12.5R	8.25 fc	21.2 ft	31.6 ft
15.0R	5.73 fc	25.5 ft	37.9 ft

■ Vert. Spread: 80.7°
■ Horiz. Spread: 103.2°

45 Watt



Illuminance at a Distance			
	Center Beam Fc	Beam Width	
2.5R	286 fc	3.6 ft	5.4 ft
5.0R	71.6 fc	7.2 ft	10.9 ft
7.5R	31.8 fc	10.8 ft	16.3 ft
10.0R	17.9 fc	14.4 ft	21.7 ft
12.5R	11.5 fc	18.0 ft	27.2 ft
15.0R	7.96 fc	21.6 ft	32.6 ft

■ Vert. Spread: 71.6°
■ Horiz. Spread: 94.8°

