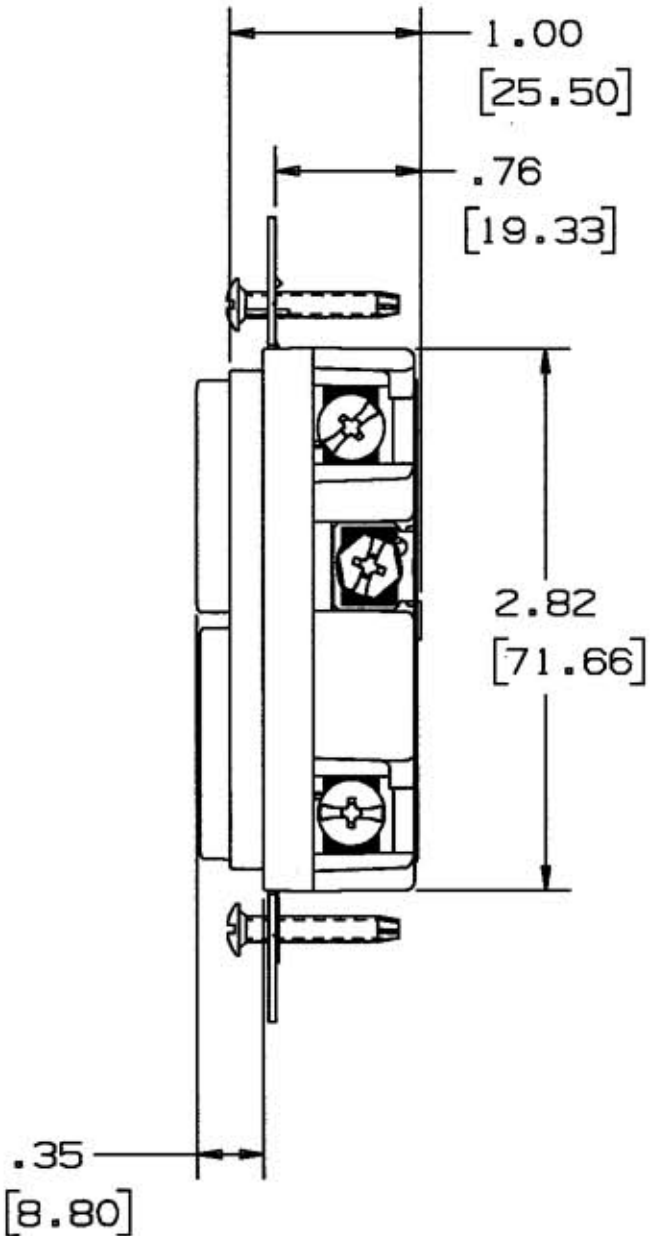
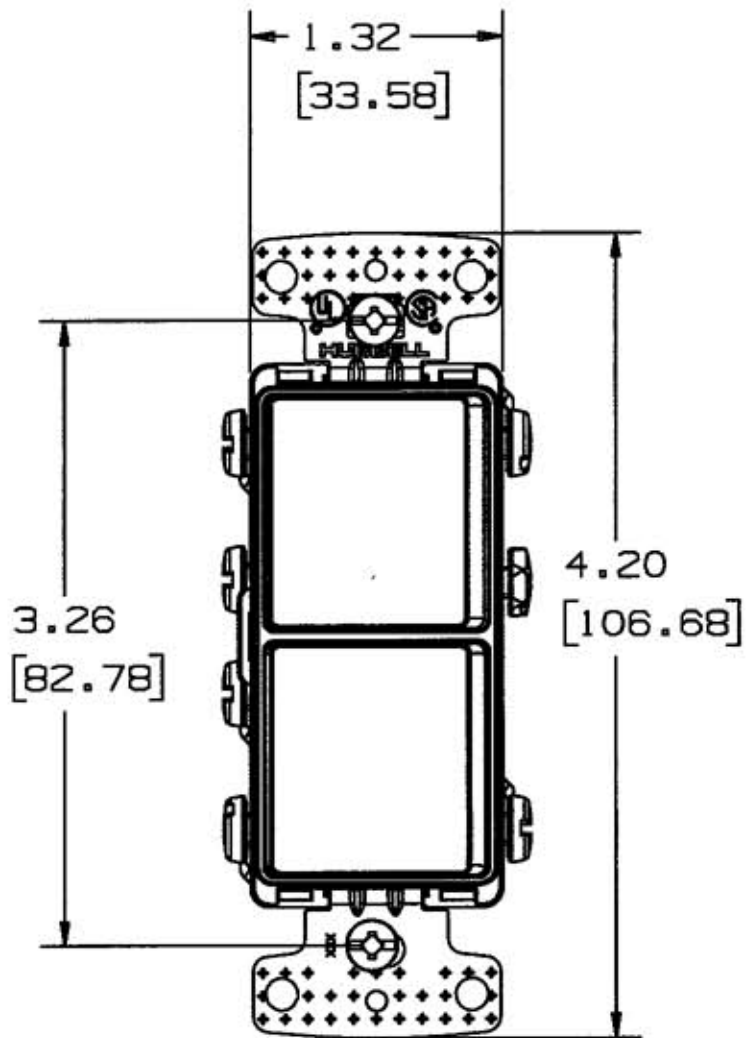


M-9927 1



CATALOG NO	COLOR	STYLE
RCD101	BROWN	SP/SP
RCD101I	IVORY	
RCD101W	WHITE	
RCD101GY	GRAY	
RCD101BK	BLACK	
RCD101AL	ALMOND	
RCD101LA	LIGHT ALMOND	
RCD303	BROWN	3W/3W
RCD303I	IVORY	
RCD303W	WHITE	
RCD303GY	GRAY	
RCD303BK	BLACK	
RCD303AL	ALMOND	SP/3W
RCD303LA	LIGHT ALMOND	
RCD103	BROWN	
RCD103I	IVORY	
RCD103W	WHITE	
RCD103GY	GRAY	
RCD103BK	BLACK	
RCD103AL	ALMOND	
RCD103LA	LIGHT ALMOND	

LIST OF PARTS		
DESCRIPTION	MATERIAL	FINISH
ROCKER BUTTON	PLASTIC	
BRIDGE	STEEL	ZINC
BASE	PLASTIC	
COVER	PLASTIC	
ROCKER CONTACTS	BRASS	
DRIVE SCREW	STEEL	ZINC
TERMINALS	BRASS	
GROUNDING SPRING	SS	
SPRING HOUSING	PLASTIC	
WASHERS	PLASTIC	
MOUNTING SCREW	STEEL	ZINC
SWITCH CONTACTS	SILVER	
SPRING	STEEL	

DIMENSION SHEET FOR CAT. NO. SEE TABLE

REPAIRABLE NON-REPAIRABLE

B

M-9927

1

1	RELEASED TO PRODUCTION PER DCN 13440	FJ	10/6/06
SYM	REVISIONS	APP	DATE

THE DESIGN AND DIMENSIONS OF THE PRODUCT SHOWN ON THIS DRAWING ARE SUBJECT TO CHANGE WITHOUT NOTICE

TITLE
15A COMBINATION DECORATOR SWITCH

TOLERANCES UNLESS OTHERWISE SPECIFIED FRACTIONS ± 1/64 DECIMALS ± .005 ANGLES ± 2°	WIRING DEVICE-KELLEMS HUBBELL INCORPORATED BRIDGEPORT, CT	
	DR. BY MPF	APP. BY FJ
	TR. BY	SCALE 1/1
	CHK'D BY FJ	DATE 10/3/05

DIM'S ARE IN INCHES [MM].