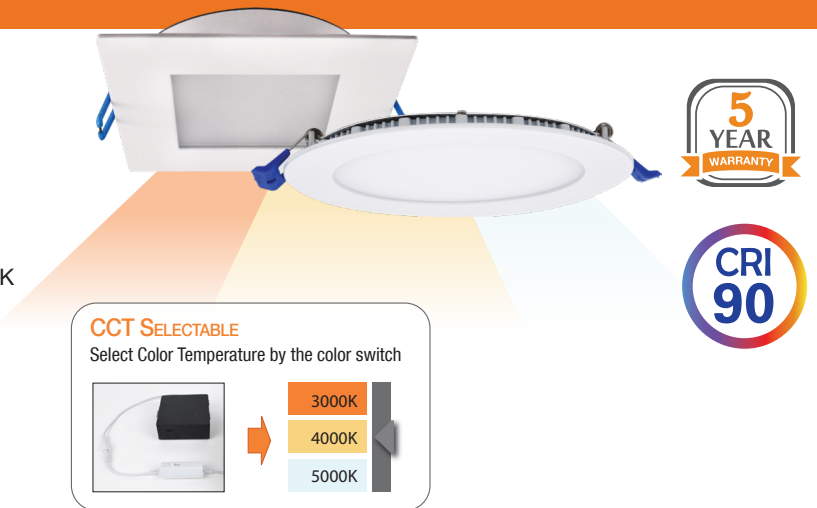


Project _____
 Schedule _____ Date _____
 Notes _____

DESCRIPTION

Introducing our ultra-low profile selectable CCT LED downlight with matte white flange and die-cast aluminum construction for durability. This down slim light can accommodate dimmable LED lamp for delivering a light output up to 800-Lumens with 3000K to 5000K color temperature and 90 CRI. Both round and square downlight has a trim of 4-inch and 6-inch with high impact diffused lens shade for even light distribution. It is suitable for damp locations.



FEATURES

- Energy Star Qualified
- Selectable Color Temperature (3000K, 4000K, 5000K)
- UL Damp
- Dimmable
- Recommended ceiling height: 9-10ft
- Ultra slim design for recessed can
- 4" / 6" round or square design
- Input Voltage: 120V
- CRI:90
- Operating temperature: -4°F - 113°F

EASY INSTALLATION

Snap-in mounting springs and easy wiring access for quick installation



APPLICATIONS

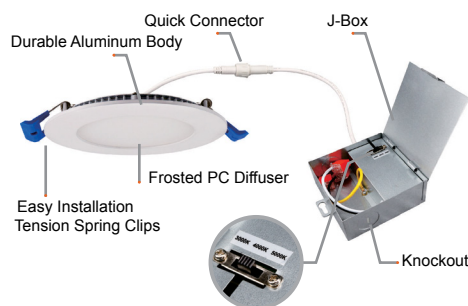
- Kitchen Lighting
- Decoration Lighting
- Hallway Lighting
- Bedroom Lighting
- Ceiling Mount Lighting

STYLES



WARRANTY

- 5 Year Warranty



CCT SELECT

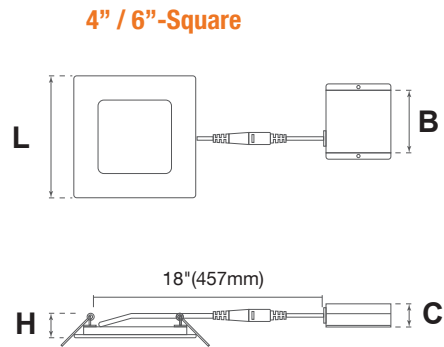
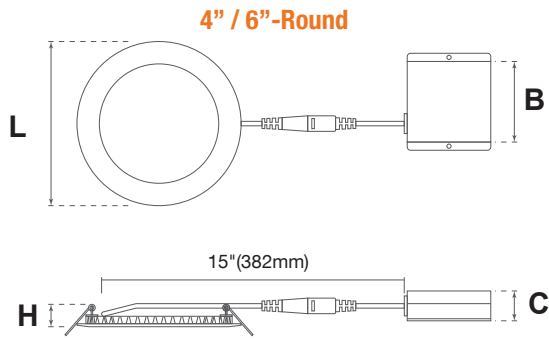


Ordering Information		EXAMPLE: LED4DLR-60L9CCT3				
LED	4	DLR / DLS		60L	9	CCT3
LED	Size	Series		Lumens	CRI	CCT Selectable
	4 4" Diameter	DLR	Slim Down Light Round	60L 600+	9 CRI90	CCT3 3000/4000/5000K
	6 6" Diameter	DLS	Slim Down Light Square			

ORDERING

Watts (W)	Ordering Code	Description	Color Temp (K)	Lumens (lm)	Size	Equiv. Wattage (W)	Beam Angle	Rated Hrs	Damp Location	Energy Star
9	9368	LED4DLR-60L9CCT3	3/4/5000K	631 / 704 / 698	4" Round	60	Flood	50,000	•	Y
9	9369	LED4DLS-60L9CCT3	3/4/5000K	631 / 704 / 698	4" Square	60	Flood	50,000	•	Y
12	9370	LED6DLR-80L9CCT3	3/4/5000K	801 / 878 / 854	6" Round	90	Flood	50,000	•	Y
12	9371	LED6DLS-80L9CCT3	3/4/5000K	801 / 878 / 854	6" Square	90	Flood	50,000	•	Y

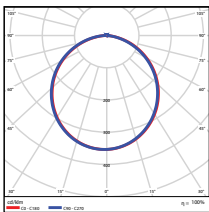
SPECIFICATIONS



Size	Length (L)	Height(H)	Box Width (B)	Box Height (C)	Cut Out Size	Weight
4-Round	4.87" (123.8mm)	1.0" (24mm)	3.37" (85.7mm)	1.37" (35mm)	4.25" (108mm)	0.94-lbs
4-Square	4.75" (121mm)	0.87" (22mm)	3.37" (85.7mm)	1.37" (35mm)	4.25" (108mm)	0.94-lbs
6-Round	6.75" (173mm)	1.0" (24mm)	3.37" (85.7mm)	1.37" (35mm)	6.25" (158mm)	1.28-lbs
6-Square	6.875" (175mm)	0.875" (22mm)	3.37" (85.7mm)	1.37" (35mm)	6.25" (158mm)	1.28-lbs

PHOTOMETRICS CHART

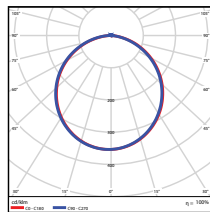
Round (4-inch)
Energy Star



Center Beam Fc	Beam Width
36.1 Fc	7.4 R 7.3 R
9.03 Fc	14.7 R 14.6 R
4.01 Fc	22.1 R 22.0 R
2.26 Fc	29.4 R 29.3 R
1.44 Fc	36.8 R 36.6 R
1.00 Fc	44.2 R 43.9 R

Vert. Spread: 111.6°
Hori. Spread: 111.4°

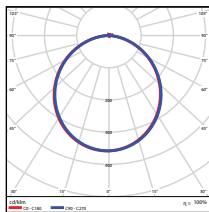
Square (4-inch)
Energy Star



Center Beam Fc	Beam Width
36.1 Fc	7.4 R 7.3 R
9.03 Fc	14.7 R 14.6 R
4.01 Fc	22.1 R 22.0 R
2.26 Fc	29.4 R 29.3 R
1.44 Fc	36.8 R 36.6 R
1.00 Fc	44.2 R 43.9 R

Vert. Spread: 111.6°
Hori. Spread: 111.4°

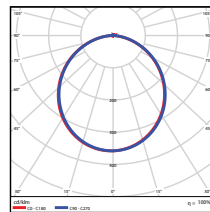
Round (6-inch)
Energy Star



Center Beam Fc	Beam Width
49.2 Fc	7.1 R 7.1 R
12.3 Fc	14.3 R 14.3 R
5.47 Fc	21.4 R 21.4 R
3.08 Fc	28.5 R 28.6 R
1.97 Fc	35.7 R 35.7 R
1.37 Fc	42.8 R 42.8 R

Vert. Spread: 109.9°
Hori. Spread: 110.0°

Square (6-inch)
Energy Star



Center Beam Fc	Beam Width
49.2 Fc	7.1 R 7.1 R
12.3 Fc	14.3 R 14.3 R
5.47 Fc	21.4 R 21.4 R
3.08 Fc	28.5 R 28.6 R
1.97 Fc	35.7 R 35.7 R
1.37 Fc	42.8 R 42.8 R

Vert. Spread: 109.9°
Hori. Spread: 110.0°

PACKAGE

Master Pack: 20 pcs

